

TECHNICAL ADVISORY BULLETIN



Quality You Can Trust...
From North America's
Largest Roofing Manufacturer!™

To: GAF Residential Sales, GAF Contractors, GAF Field Services

From: Technical Services Department

Subject: Timberline® Majestic™ Shingles Step Flashing

Date: 05/27/2011

No: TAB-R 2011-155

What Size Step Flashing Must Be Used With Timberline® Majestic™ Shingles?

Minimum 10 ¼" X 10" (260 X 254 mm)... to provide proper overlap of step flashing pieces.

- **Minimum 10 ¼" (260 mm)...** up the slope on the roof deck.
- **Minimum 5" (127 mm)...** up on the wall.
- **Minimum 5" (127 mm)...** horizontally on the roof.

Like step flashing used with all asphalt shingles... this is a minimum 2" (51 mm) longer than the shingle exposure.

Can Existing Step Flashing Be Reused With The Timberline® Majestic™ Shingle?

No... because of the large 8 ¼" exposure of the Timberline® Majestic™ shingles, existing step flashings will be the wrong size.

Step flashing of the wrong size... will not fit properly in the courses of shingles and will leak.

It is always best... to replace step flashing when reroofing. Replacing the step flashings will help ensure that the flashings will not leak due to being bent and/or distorted during reroofing or due to deterioration.

How Should The Step Flashing Be Installed?

1. Install metal first... install first piece of step flashing over the starter shingle before installing the first course of exposed shingles.

2. Nail metal only to deck... nailing to both deck and sidewall can cause buckles or cracks due to structural movement.

3. Nail twice... place nails 1" - 2" (25 - 51 mm) from the top of each piece of step flashing.

4. Install shingles over metal step flashing... flush to the sidewall.

5. Adhere shingle to metal step flashing... use quarter-sized dabs of plastic cement to adhere the shingles to the flashing.

6. Properly place the next piece of step flashing... step flashing should cover the non-exposed top of the shingles and extend at least 6" above the top of the Timberline® Majestic™ shingle so that each piece of step flashing overlaps the next piece of step flashing by a minimum of 2" (51 mm).

7. Continue up the roof... one step flashing piece per shingle to ensure a sealed system.

Alternative: Use two overlapped 7" (178 mm) step flashing pieces per shingle course.

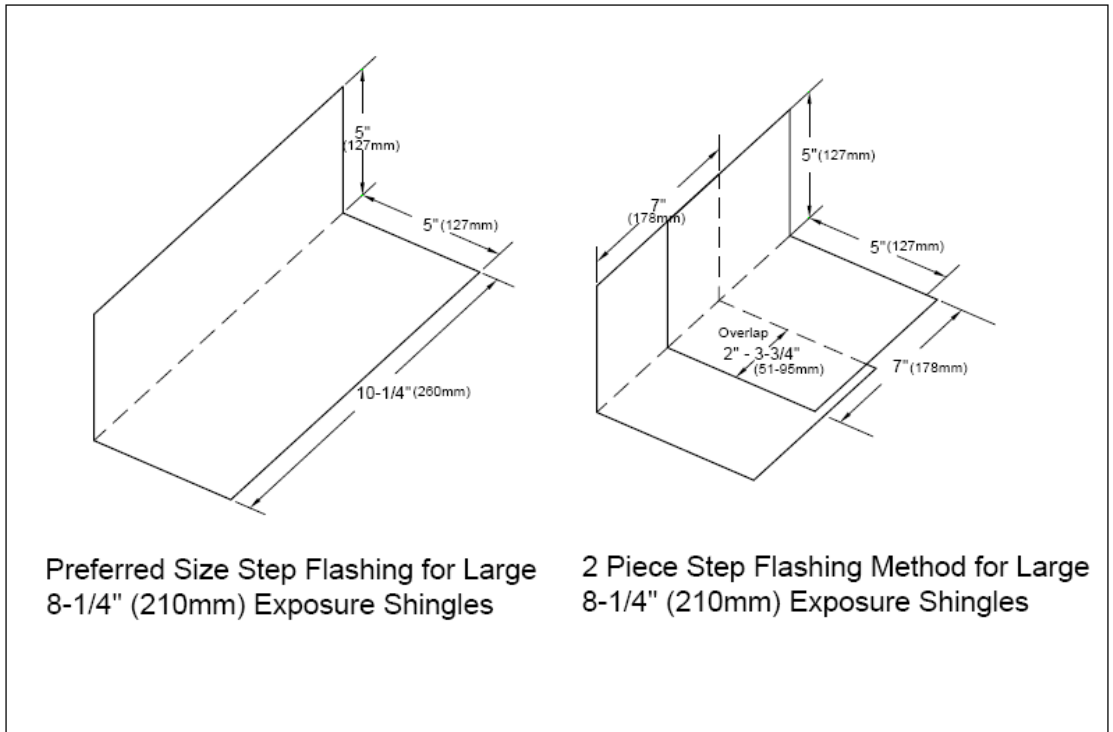
Overlap the two step flashing pieces 2" - 3 ¾" (51 - 95 mm) to provide a minimum of 10 ¼" (260 mm) of step flashing per shingle course.

8. Fully cover step flashing... shingles should cover step flashing completely for best appearance and water proofing.

9. Cover step flashing with counter flashing... cover the top of the step flashing on the wall a minimum of 2" (51 mm) with counter flashing or siding.

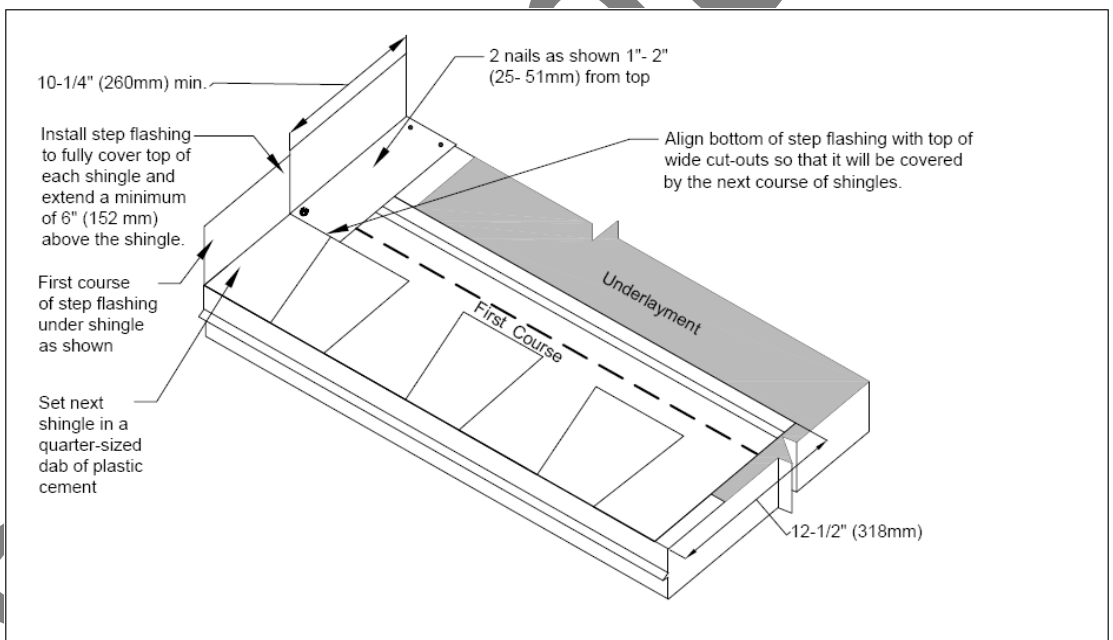
(Continued On Next Page)

(Continued From Previous Page)



Preferred Size Step Flashing for Large 8-1/4" (210mm) Exposure Shingles

2 Piece Step Flashing Method for Large 8-1/4" (210mm) Exposure Shingles



Where Can I Get More Information?

GAF Technical Services can assist you... with these and other questions you may have regarding your new roof installation. GAF Technical Services can be contacted at **800-ROOF-411** (800-766-3411). Also, the GAF website is a great resource for just about any question you may have or for additional information you may require. Please visit: www.gaf.com.