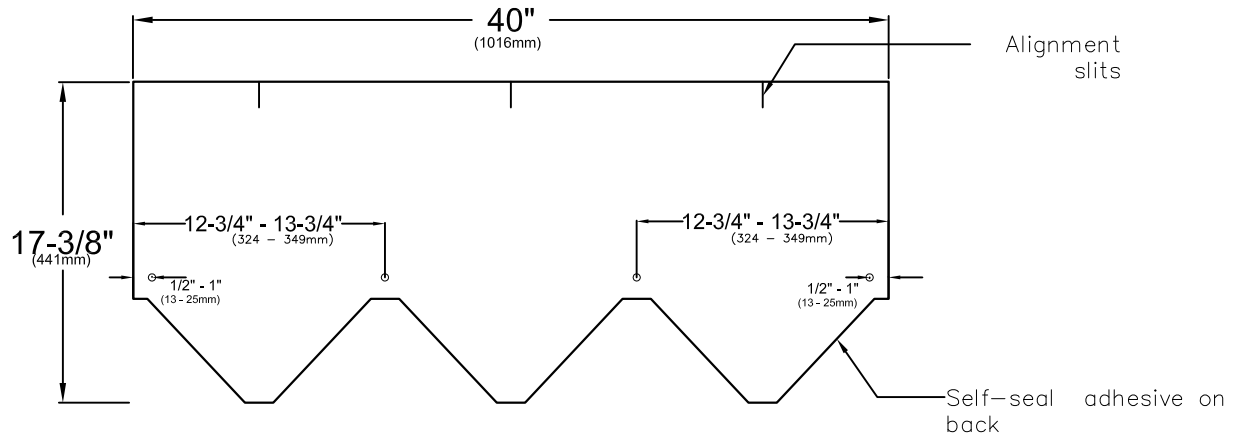
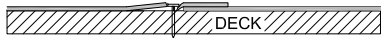


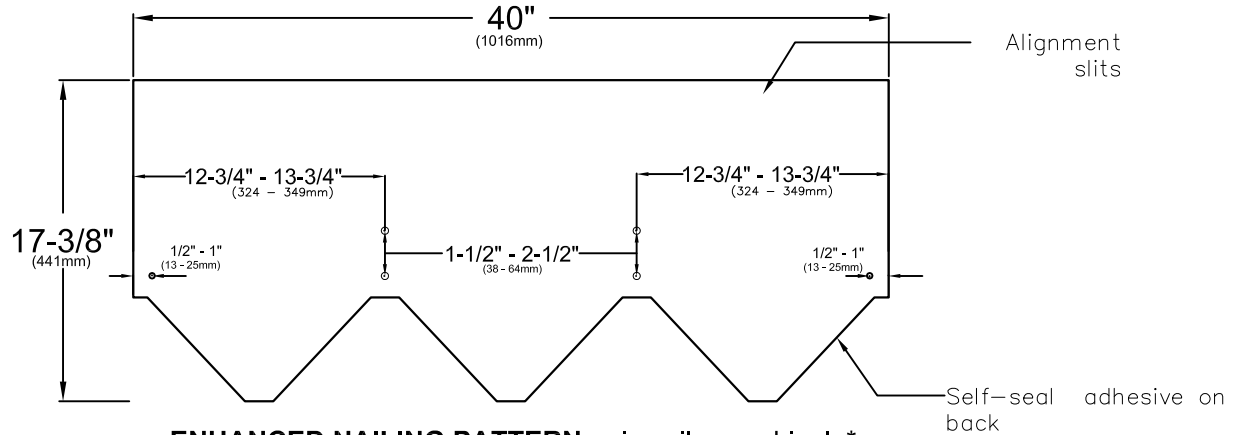
These shingles MUST be nailed along the nail guide marks, nominally 2" (51mm) from top of tabs as shown. Nails must not be exposed.



STANDARD NAILING PATTERN - four nails per shingle



NOTE: Fasteners must NOT touch edge of double ply on bottom side of shingle.



ENHANCED NAILING PATTERN - six nails per shingle*

Two high nails should be located just below the shadow line.

* required by some local codes and required for enhanced wind coverage on certain products. See limited warranty for details.



www.gaf.com
1 Campus Drive
Parsippany, NJ
07054

BRAND SERIES

SIENNA SERIES

REVISION DATE

6-01-15

SCALE

N.T.S

SHINGLE NAIL PLACEMENT DETAIL

DETAIL NUMBER

03

DETAIL REFERENCE

SS-SNA