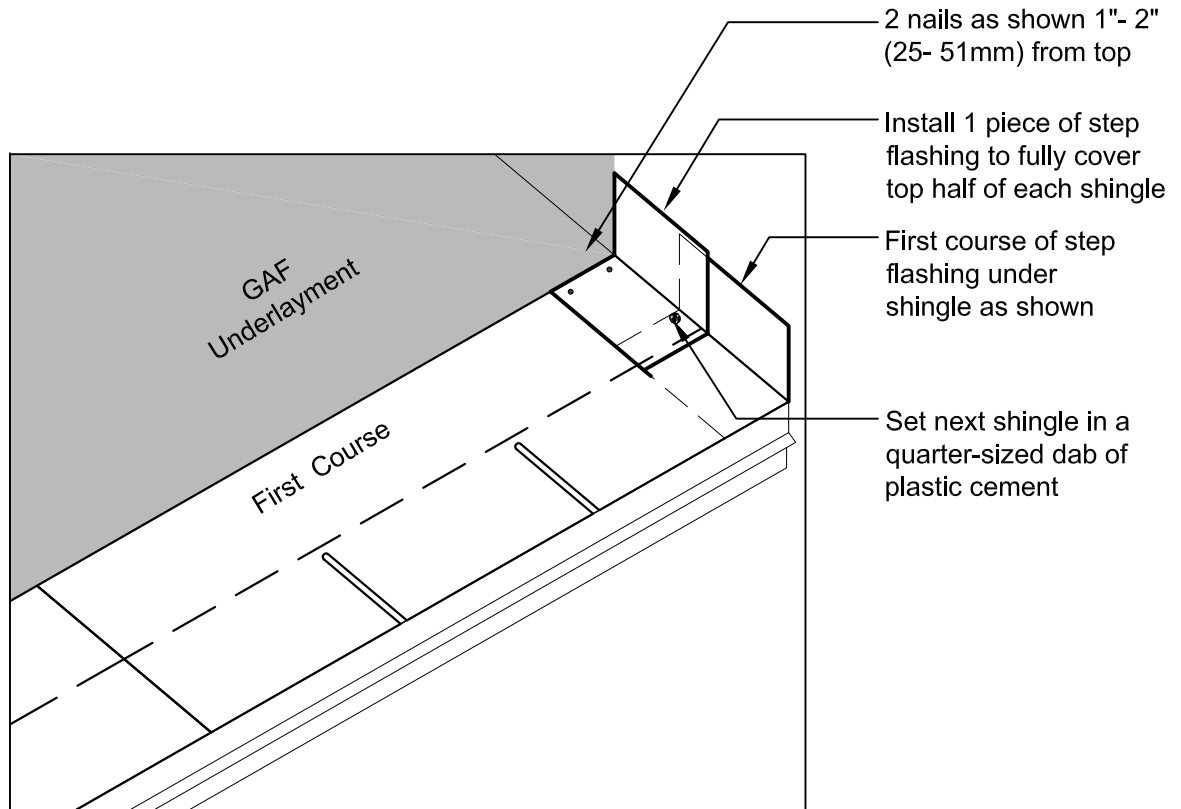
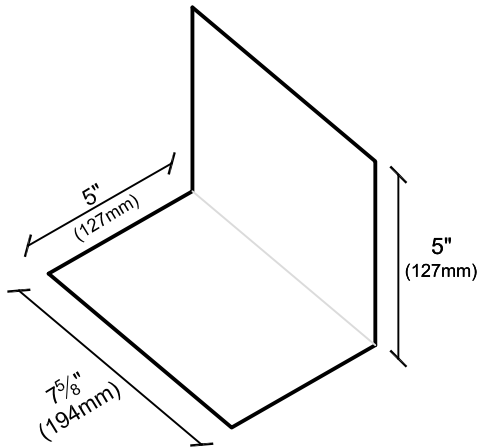


Step Flashing for Metric Size Shingles 13-1/4" x 39-3/8" (337mm x 1000mm) with 5-5/8" (143mm) Exposure




1361 Alps Rd.
Wayne, NJ 07470
www.gaf.com

BRAND SERIES	
SOVEREIGN SERIES	
Shingles	
REVISION DATE	SCALE
1-01-12	N.T.S

STEP FLASHING DETAIL

METRIC SIZE SHINGLE ONLY

DETAIL NUMBER
05b
DETAIL REFERENCE
SS-TS