



DEPARTMENT OF REGULATORY AND ECONOMIC RESOURCES (RER)
 BOARD AND CODE ADMINISTRATION DIVISION
NOTICE OF ACCEPTANCE (NOA)

MIAMI-DADE COUNTY
 PRODUCT CONTROL SECTION
 11805 SW 26 Street, Room 208
 Miami, Florida 33175-2474
 T (786)315-2590 F (786) 315-2599
www.miamidade.gov/economy

LL Building Products, Inc.
 295 McKoy Road
 Burgaw, NC 28425

SCOPE:

This NOA is being issued under the applicable rules and regulations governing the use of construction materials. The documentation submitted has been reviewed and accepted by Miami-Dade County RER -Product Control Section to be used in Miami Dade County and other areas where allowed by the Authority Having Jurisdiction (AHJ).

This NOA shall not be valid after the expiration date stated below. The Miami-Dade County Product Control Section (In Miami Dade County) and/or the AHJ (in areas other than Miami Dade County) reserve the right to have this product or material tested for quality assurance purposes. If this product or material fails to perform in the accepted manner, the manufacturer will incur the expense of such testing and the AHJ may immediately revoke, modify, or suspend the use of such product or material within their jurisdiction. RER reserves the right to revoke this acceptance, if it is determined by Miami-Dade County Product Control Section that this product or material fails to meet the requirements of the applicable building code.

This product is approved as described herein, and has been designed to comply with the Florida Building Code including the High Velocity Hurricane Zone of the Florida Building Code.

DESCRIPTION: PRSolar2 / PRHybrid2

LABELING: Each unit shall bear a permanent label with the manufacturer's name or logo, city, state and following statement: "Miami-Dade County Product Control Approved", unless otherwise noted herein.

RENEWAL of this NOA shall be considered after a renewal application has been filed and there has been no change in the applicable building code negatively affecting the performance of this product.

TERMINATION of this NOA will occur after the expiration date or if there has been a revision or change in the materials, use, and/or manufacture of the product or process. Misuse of this NOA as an endorsement of any product, for sales, advertising or any other purposes shall automatically terminate this NOA. Failure to comply with any section of this NOA shall be cause for termination and removal of NOA.

ADVERTISEMENT: The NOA number preceded by the words Miami-Dade County, Florida, and followed by the expiration date may be displayed in advertising literature. If any portion of the NOA is displayed, then it shall be done in its entirety.

INSPECTION: A copy of this entire NOA shall be provided to the user by the manufacturer or its distributors and shall be available for inspection at the job site at the request of the Building Official.

This NOA consists of pages 1 through 5.
 The submitted documentation was reviewed by Alex Tigera.



NOA No.: 13-0923.02
 Expiration Date: 04/21/21
 Approval Date: 04/21/16
 Page 1 of 5

ROOFING COMPONENT APPROVAL

Category: Roofing
Sub-Category: Ventilation
Materials: Plastic
Minimum Slope: 2:12

TRADE NAMES OF PRODUCTS MANUFACTURED OR LABELED BY APPLICANT:

<u>Product</u>	<u>Dimensions</u>	<u>Test Specification</u>	<u>Product Description</u>
PRSOLAR2 / PRHYBRID2	27" x 27" x 7 1/2"	TAS 100(A)	Solar powered roof ventilation system with a polypropylene plastic base and hood.

MANUFACTURING LOCATION

1. Burgaw, NC.

EVIDENCE SUBMITTED:

<u>Test Agency/Identifier</u>	<u>Name</u>	<u>Report</u>	<u>Date</u>
PRI Construction Materials Technologies	TAS 100 (A)	LLB-019-02-01	07/12/13
Architectural Testing	ASTM G 155	E2672.01-106-18	07/08/15
	ASTM D 635	D8532.01-106-18	07/10/14
	ASTM D 1929	D8532.01-106-18	07/10/14
	ASTM D 2843	D8532.01-106-18	07/10/14
Intertek	UL 1703		08/07/14



APPROVED APPLICATIONS

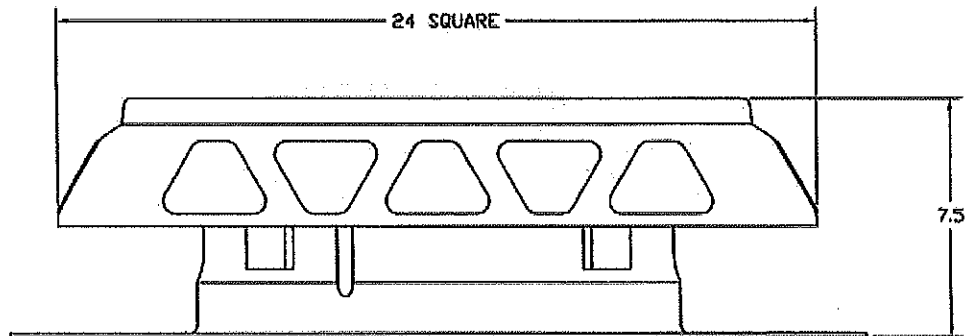
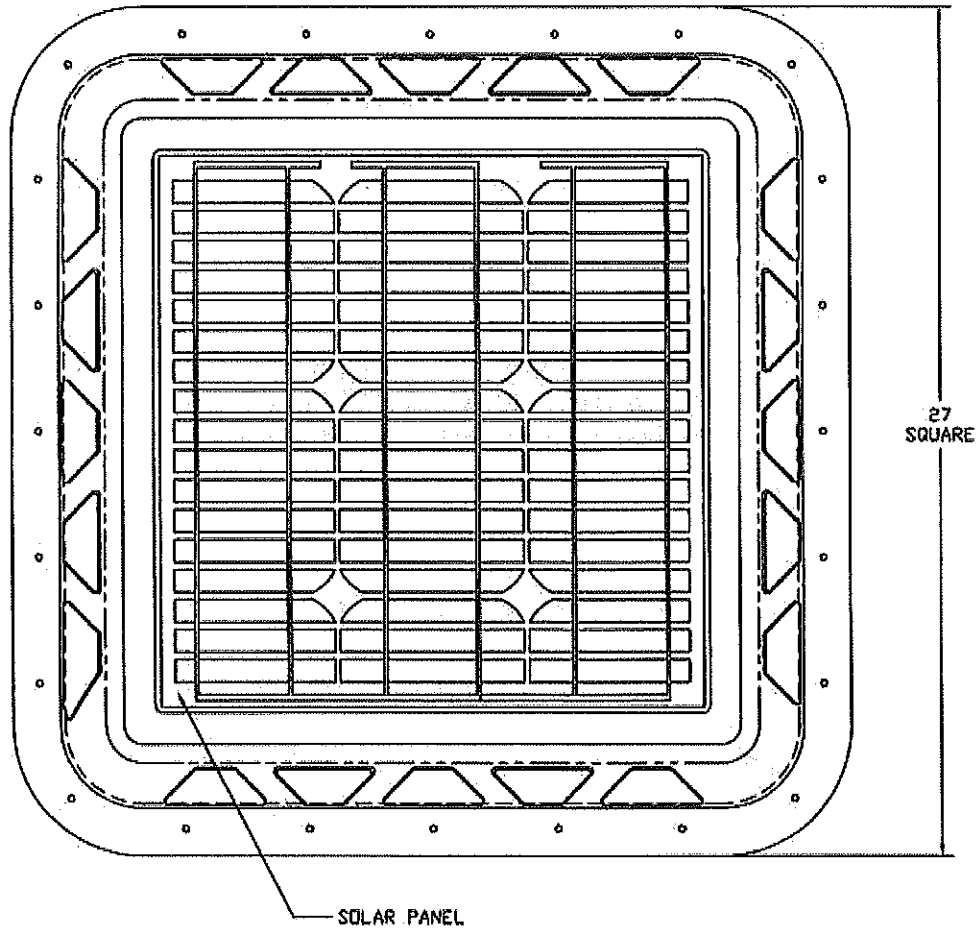
- Tradename:** PRSOLAR2 / PRHYBRID2 Solar Power Roof Vent
- System Type:** Mechanical attachment of static vent over asphaltic shingles.
- Cutout:** Vent must be placed 18" from ridgeline. At chosen location and centered between two roof rafters, cut a 15" diameter hole through shingles and deck.
- Installation:** Roll back and separate all shingles 7" from the top and sides of the cut-out area, making sure all roofing nails have been removed.
- Position base flange over the vent opening. Position the top half of the flange beneath shingles; position the bottom half of the flange atop of shingles. Seal underside of the flange to the deck with (2) ¼" continuous beads of approved sealant. Place the first bead of approved sealant approximately 1" from the vent stack wall; the second bead approximately 1" from the flange end.
- Fasten flange to deck with corrosion resistant 12 ga. 1 ¼" galvanized ring shank nails spaced at pre-marked locations around the vent flange perimeter approximately 1" from edge of flange and 4" on center. Seal all nail penetrations with approved sealant. Adhere with an approved sealant any loose shingles affected by vent installation.
- Net Free Area:** Refer to manufacturer's published literature.

LIMITATIONS:

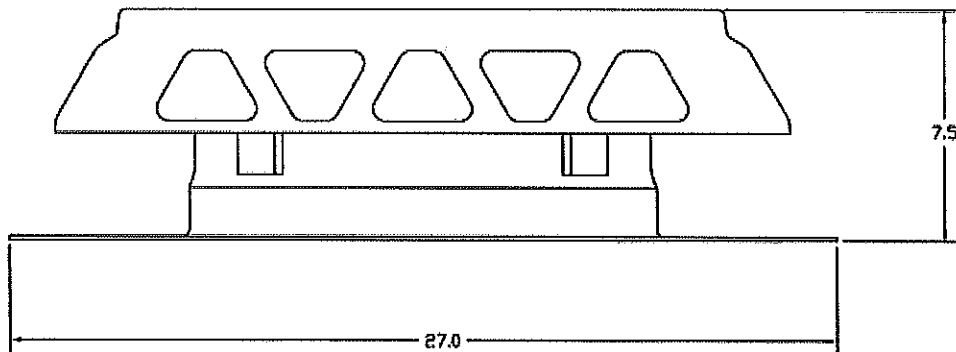
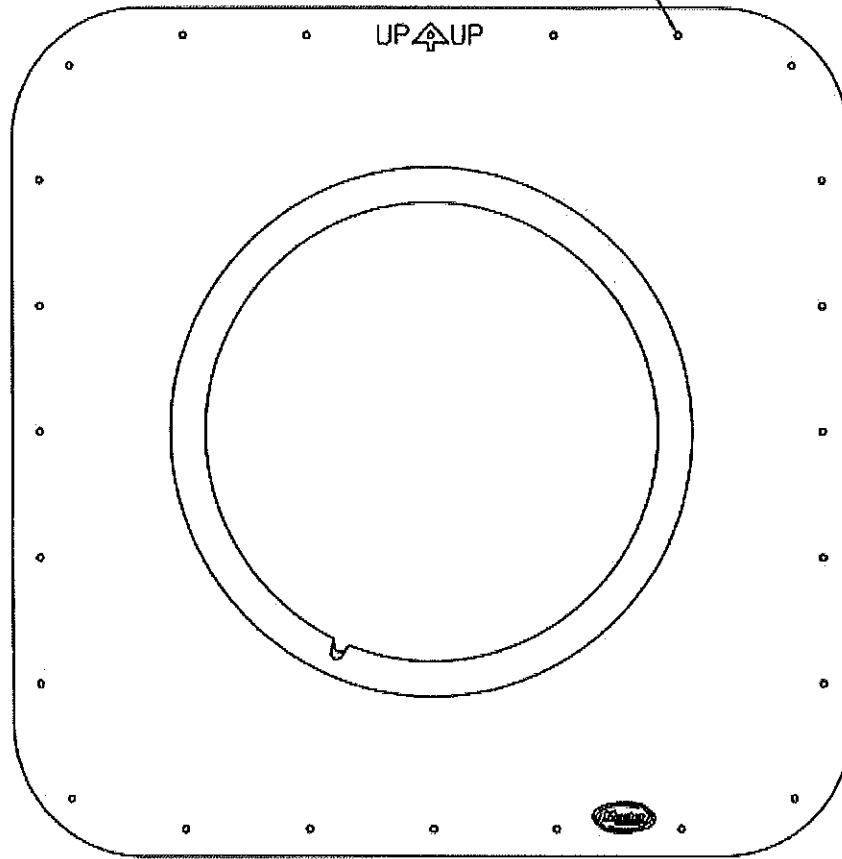
1. Refer to applicable Building Code for required ventilation.
2. For PRSOLAR2 / PRHYBRID2 Solar Power Roof Vent, thermostat and wiring shall be installed in compliance with LL Building Products, Inc.'s published installation instructions, and in accordance with applicable Building Code requirements.
3. This acceptance is for installations over asphaltic shingle roofs only.
4. PRSOLAR2 / PRHYBRID2 Solar Power Roof Vent shall not be installed on roof mean heights greater than 33 feet.
5. All products listed herein shall have a quality assurance audit in accordance with the Florida Building Code and Rule 61G20-3 of the Florida Administrative Code.
6. All approved products listed herein shall be labeled and shall bear the imprint or identifiable marking of the manufacturer's name or logo, city and state of manufacturing facility, and following statement: "Miami-Dade County Product Control Approved" or the Miami-Dade County Product Control Seal as shown below.



DETAIL DRAWINGS
PRSOLAR2 / PRHYBRID2 SOLAR POWER ROOF VENT



24 NAIL LOCATIONS
IDENTIFIED WITH
DIMPLES IN THE BASE
APPROX 4' O.C.



END OF THIS ACCEPTANCE



NOA No.: 13-0923.02
Expiration Date: 04/21/21
Approval Date: 04/21/16
Page 5 of 5

