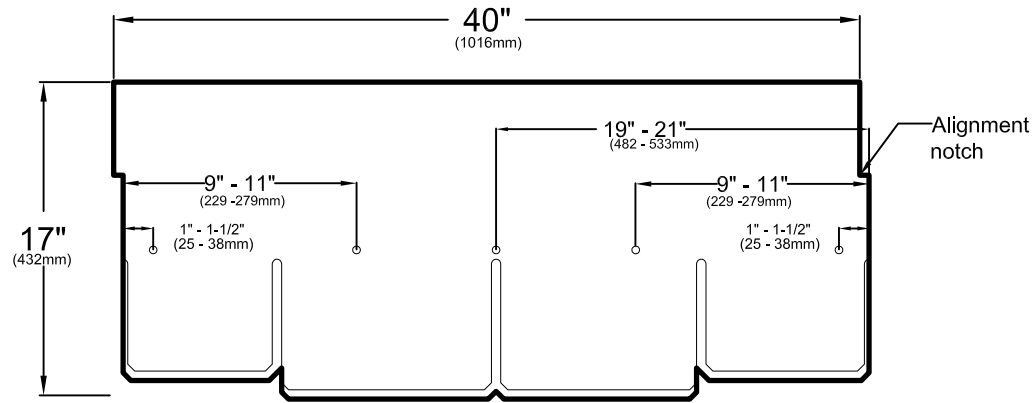
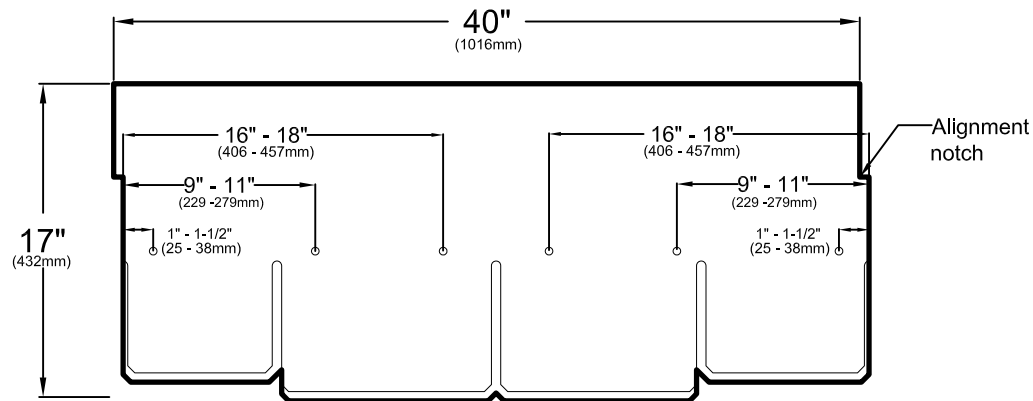


These shingles **MUST** be nailed along the nail guide marks, nominally 8-1/2" (216mm) from bottom of the long tabs as shown. Nails must not be exposed.



**STANDARD NAILING PATTERN - five nails per shingle**

**NOTE:** Shingles shown in drawings are one of 6 different design patterns that will be found in this package.



**ENHANCED NAILING PATTERN - six nails per shingle\***

\* required by some local codes and required for enhanced wind coverage on certain products. See limited warranty for details.



1361 Alps Rd.  
Wayne, NJ 07470  
www.gaf.com

BRAND SERIES

**WOODLAND  
SERIES**  
Lifetime Shingles

REVISION DATE

1-01-12

SCALE

N.T.S

# SHINGLE NAIL PLACEMENT DETAILS

DETAIL NUMBER

**03**

DETAIL REFERENCE

**SS-WLD**