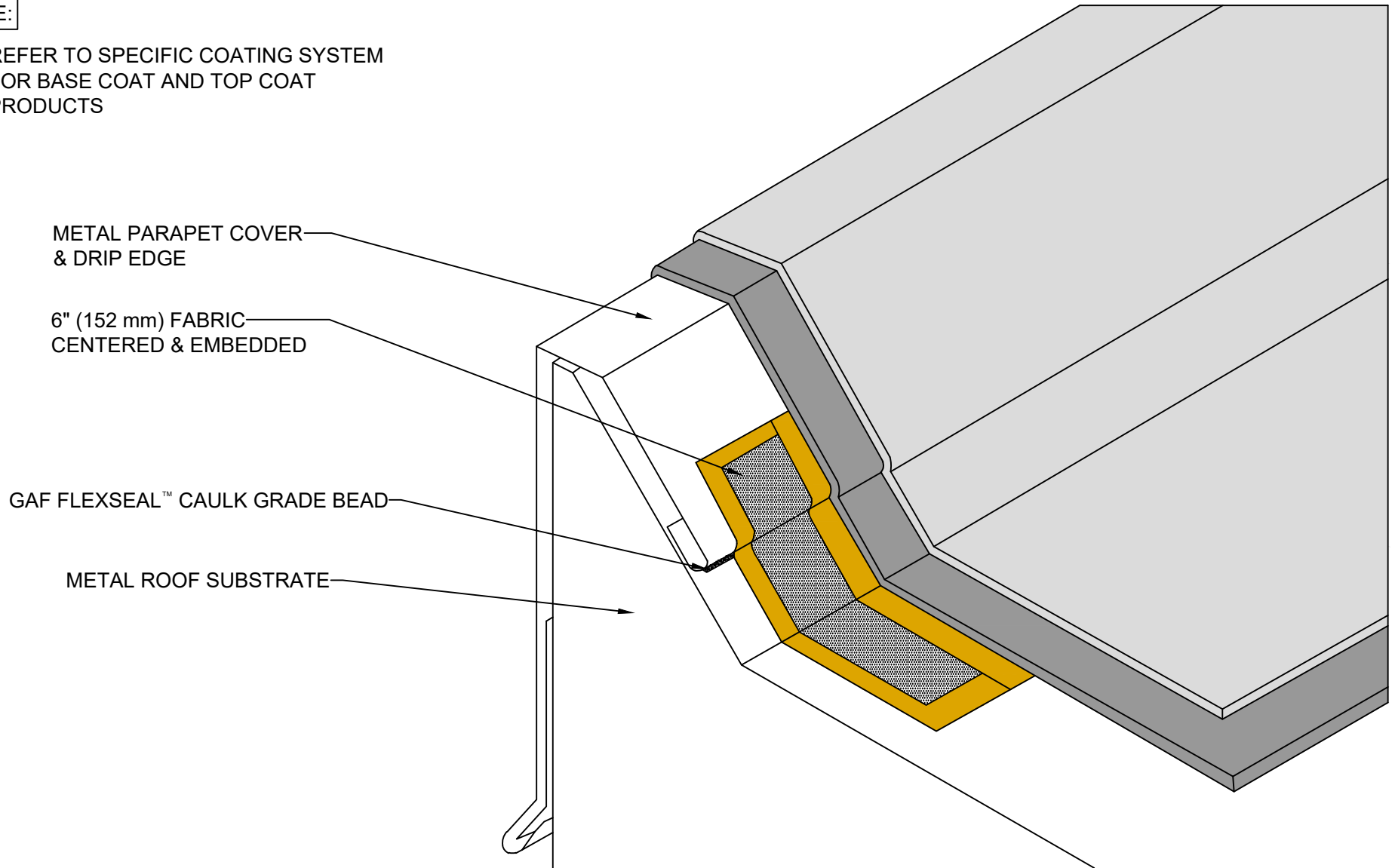


ROOF COATINGS

NOTE:

1. REFER TO SPECIFIC COATING SYSTEM FOR BASE COAT AND TOP COAT PRODUCTS



METAL ROOF EDGE FASCIA CAP

DRAWING #
202

ISSUE / REVISION DATE
2/20/20

SCALE
N.T.S.

LEGEND

 TOP COAT
 BASE COAT

 FLASHING
GRADE COATING