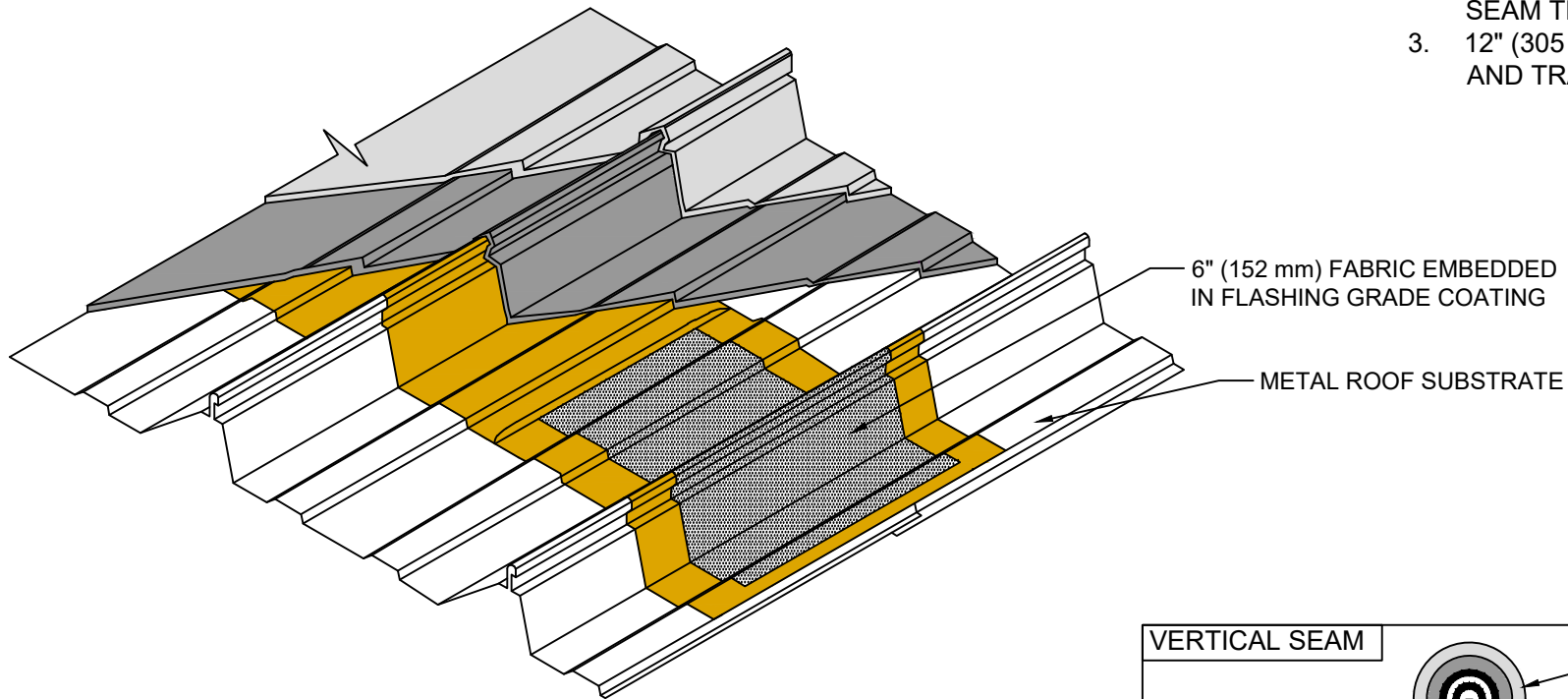
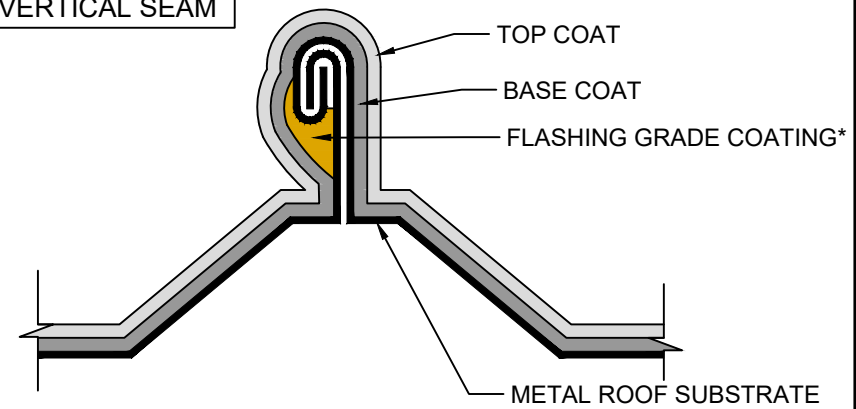


**NOTE:**

1. REFER TO SPECIFIC COATING SYSTEM FOR BASE COAT AND TOP COAT PRODUCTS.
2. FOR SEAM TREATMENT, REFER TO SEAM TREATMENT GUIDE.
3. 12" (305 mm) REQUIRED AT PERIMETER AND TRANSITION SEAM



**VERTICAL SEAM**



\*Trapezoidal seams may forgo flashing grade treatment with approval via a Field Services pre-job inspection.



SEAM FLASHING - RIBBED J-PANELS

DRAWING #  
**106E**

ISSUE / REVISION DATE	SCALE
2/20/20	N.T.S.

**LEGEND**

- TOP COAT
- FLASHING GRADE COATING
- BASE COAT