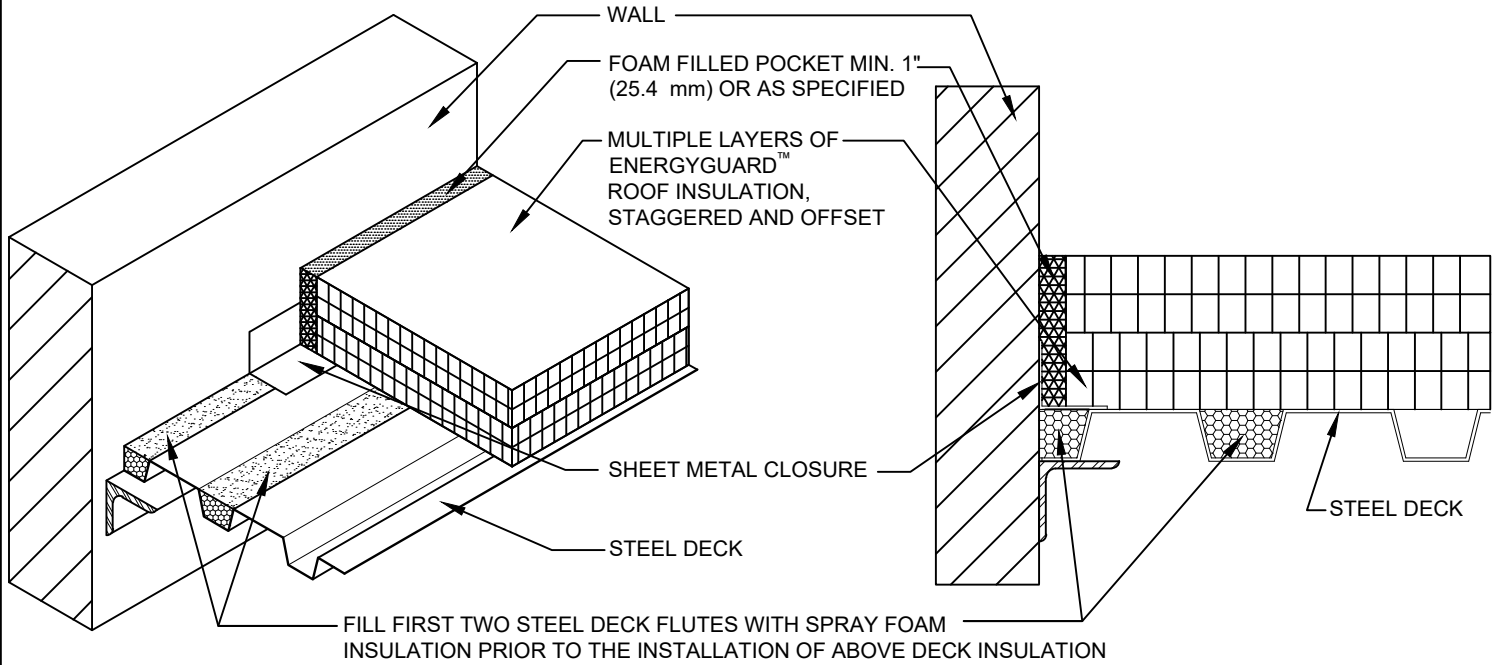
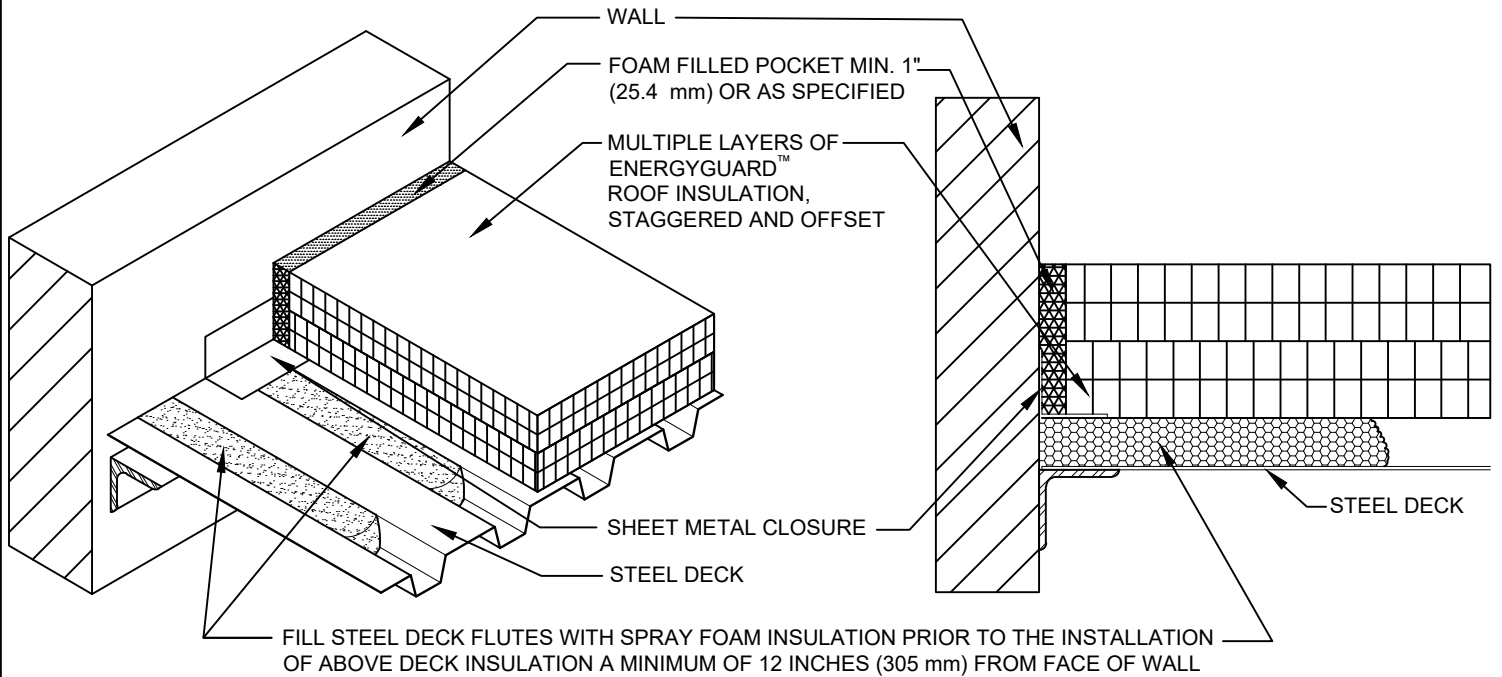


**SINGLE-PLY: TPO & PVC 60-80 mil membranes**



**STEEL DECK PARALLEL TO WALL**



**STEEL DECK PERPENDICULAR TO WALL**



**AIR SEAL DETAIL AT STEEL DECK TO WALL INTERFACE**

**LEGEND**

DRAWING #  
**350**

THIS DETAIL APPLIES TO:  
ADHERED SYSTEMS  
MECHANICALLY ATTACHED SYSTEMS  
RHINOBOND® SYSTEMS

ISSUE / REVISION DATE  
**3/22/21**

SCALE  
N.T.S.