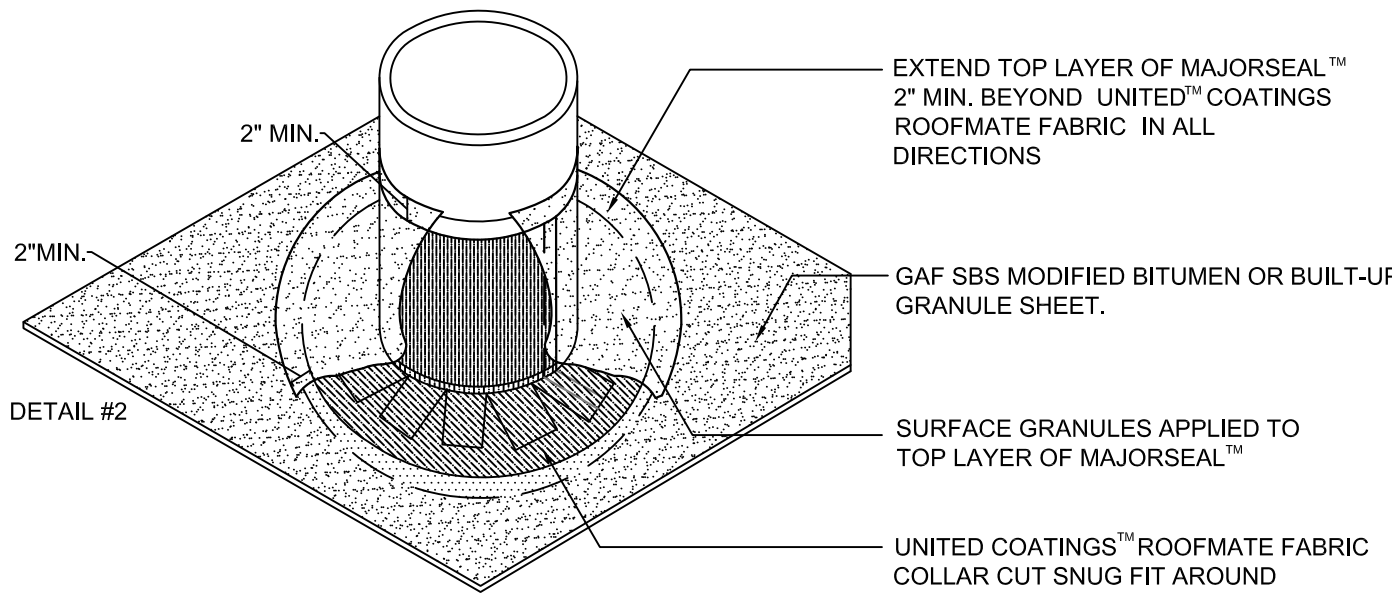
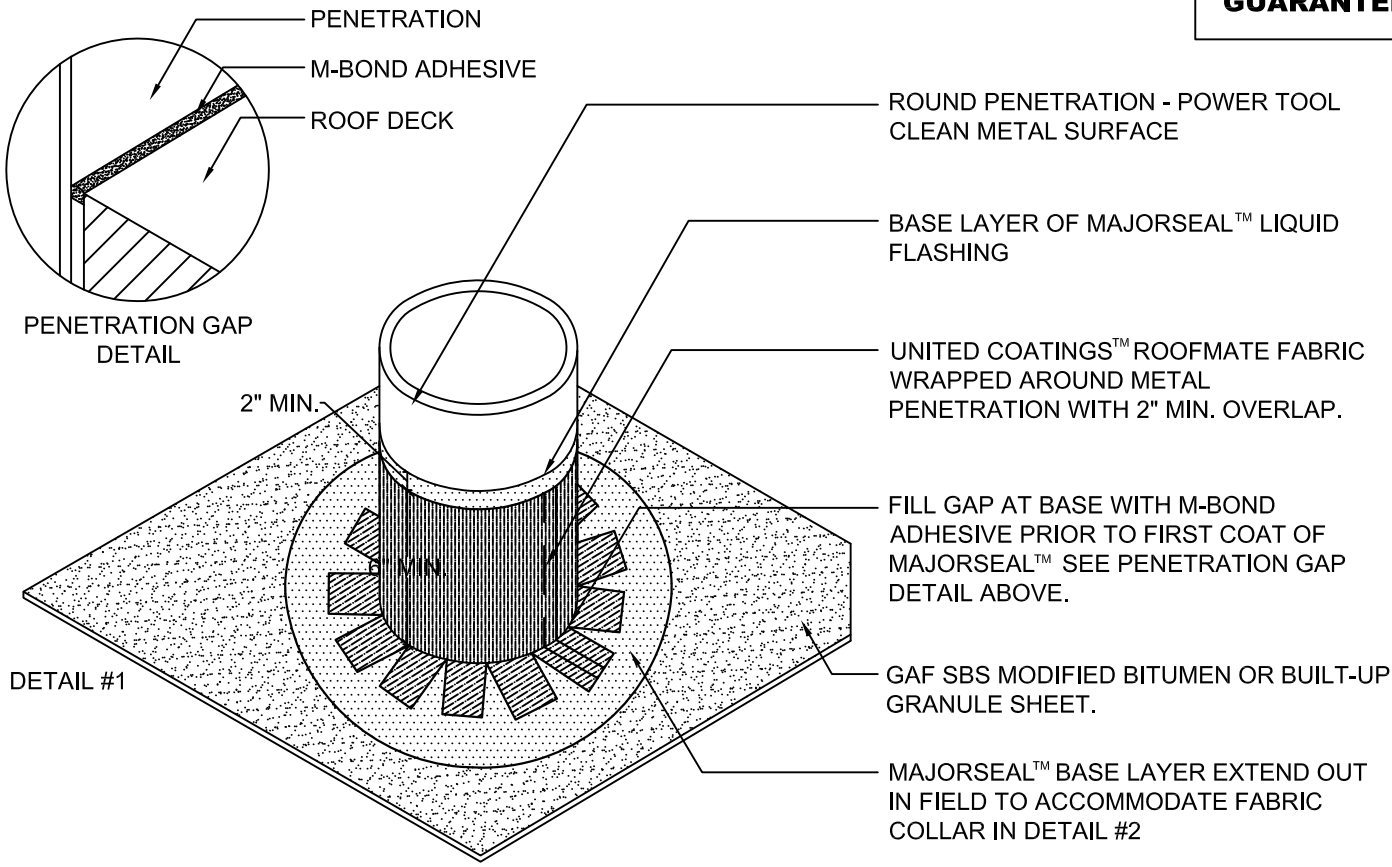



**20 YEAR MAX
GUARANTEE**



NOTE:

1. FOR PVC PIPE PENETRATION, CLEAN AND PRIME WITH TPO PRIMER PRIOR TO INSTALLING MAJORSEAL™
2. PENETRATION GAPS GREATER THAN 1/4" REQUIRE BACKER ROD BEFORE APPLICATION OF M-BOND ADHESIVE.
3. FOR CLUSTERS OF PIPES, LEAVE 1/2" MINIMUM BETWEEN PIPES.

 <p>www.gaf.com 1 Campus Drive. Parsippany, NJ 07054</p>	<p>MAJORSEAL™ LIQUID FLASHING</p>	<p>PIPE PENETRATION FLASHING DETAIL</p>	<p>DRAWING #</p> <p>511</p>	<p>SYSTEM</p> <p>MM</p>
	<p>ROOF PENETRATION SERIES</p>		<p>SCALE</p> <p>N.T.S.</p>	<p>ISSUE/ REVISION DATE</p> <p>1-1-16</p>