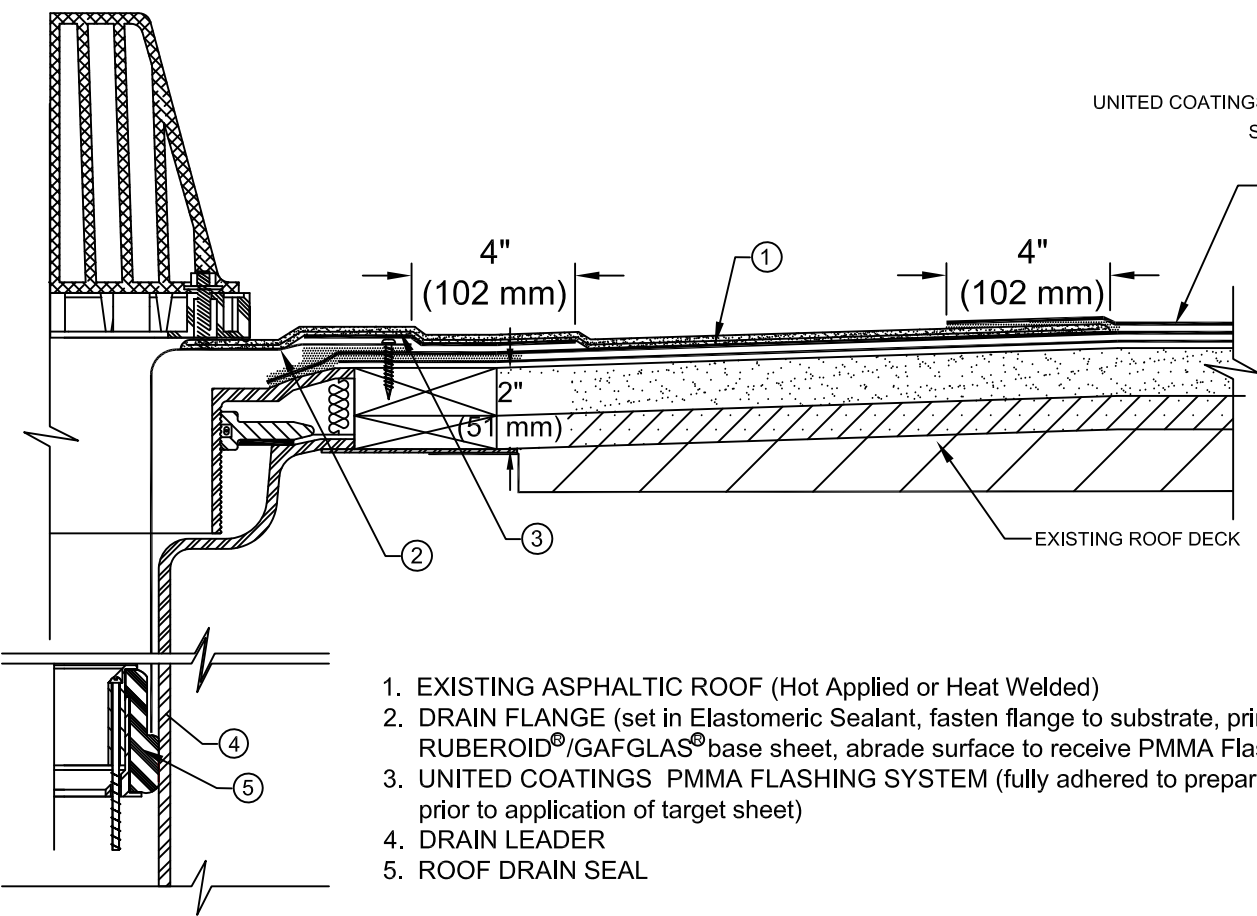
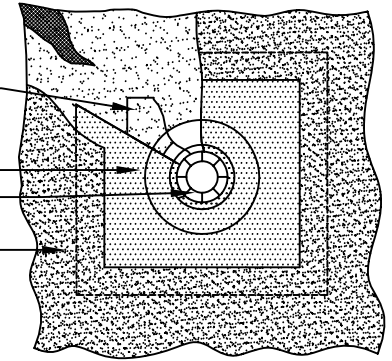


OVERHEAD VIEW



1. EXISTING ASPHALTIC ROOF (Hot Applied or Heat Welded)
2. DRAIN FLANGE (set in Elastomeric Sealant, fasten flange to substrate, prime area to receive RUBEROID®/GAFGLAS® base sheet, abrade surface to receive PMMA Flashing system)
3. UNITED COATINGS PMMA FLASHING SYSTEM (fully adhered to prepared surfaces, allow to cure prior to application of target sheet)
4. DRAIN LEADER
5. ROOF DRAIN SEAL

NOTE:

1. FOLLOW GAF SPECIFICATIONS FOR INSTALLATION OF ROOF DRAIN COMPONENTS.
2. REQUIREMENTS AND RECOMMENDATIONS DETAILED IN GAF SPECIFICATIONS AND THE UNITED COATINGS™ PMMA FLASHING SYSTEM INSTALLERS GUIDE SHALL APPLY IN ADDITION TO THE ABOVE DRAWING.
3. REFER TO GAF FLEECE CUTTING RECOMMENDATIONS FOR CONFIGURATIONS, CUTTING, FOLDING, AND LAPPING TECHNIQUES.
4. DO NOT USE OVER COLD-APPLIED OR APP SYSTEMS.



www.gaf.com
1 Campus Drive,
Parsippany, NJ 07054

BRAND SERIES
**UNITED
COATINGS**

REVISION DATE
3-25-18

SCALE
N.T.S

RETROFIT ROOF DRAIN DETAIL

DETAIL #

511

SYSTEM

PMMA