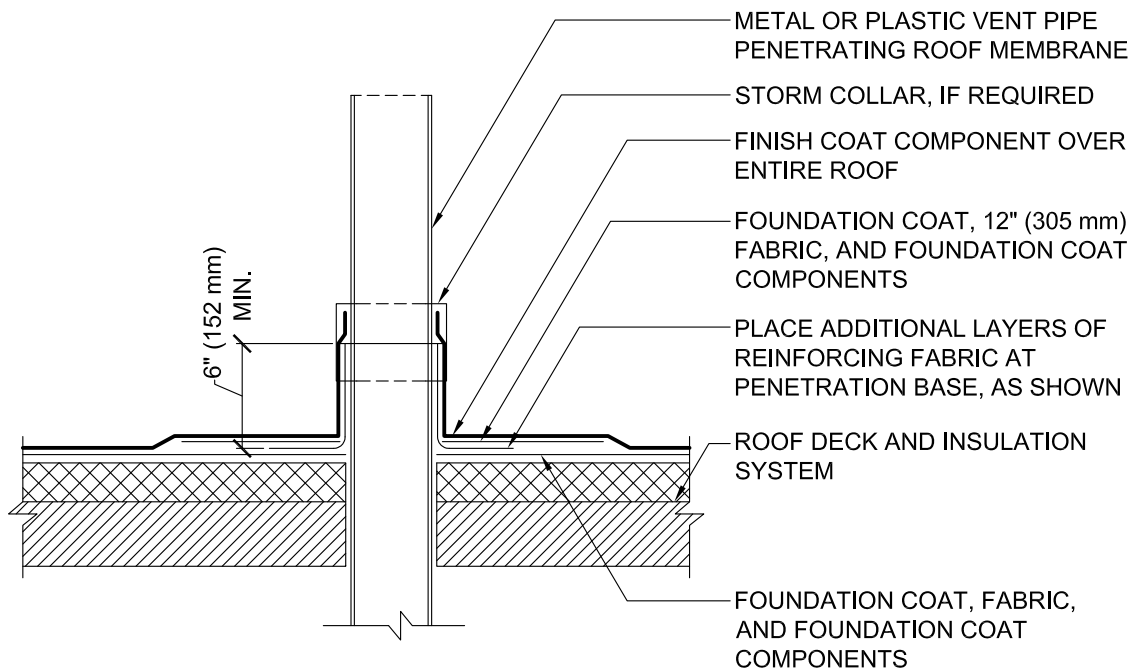


PLAN VIEW



SECTION VIEW

NOTE:

1. THIS DETAIL IS A TYPICAL PENETRATION DETAIL APPLICABLE FOR ALL COLD PIPE PENETRATIONS. FOR HOT PIPE PENETRATIONS, CONTACT THE MANUFACTURER FOR REQUIREMENTS.
2. FOR PIPE PENETRATIONS THAT EXCEED 18" (457 mm) ABOVE THE ROOF SURFACE, A STORM COLLAR SHALL BE USED WITH A DRAW BAND AND CAULKING. THE ROOF COATING SHALL EXTEND 8" (203 mm) MINIMUM UP THE PENETRATION SURFACE AS INDICATED IN THIS DETAIL.
3. PREMIUM COAT SYSTEM - FOUNDATION COAT, FABRIC, FOUNDATION COAT, AND FINISH COAT COMPONENTS. ALL GUTTER SEAMS ARE TREATED WITH FOUNDATION COAT AND 4" (102 mm) OR 6" (152 mm) FABRIC DEPENDING ON PROFILE OF THE GUTTER (CONTACT TECHNICAL SERVICES).
4. PRIMING - REFER TO HYDROSTOP® SPECIFICATIONS FOR DECK PRIMING REQUIREMENTS.



HYDROSTOP

www.gaf.com
1 Campus Drive
Parsippany, NJ
07054

ROOF PENETRATION
SERIES

VENT-PIPE FLASHING DETAIL

SYSTEM

HS

SCALE

N.T.S.

DRAWING #

502

ISSUE/ REVISION DATE

6-1-16