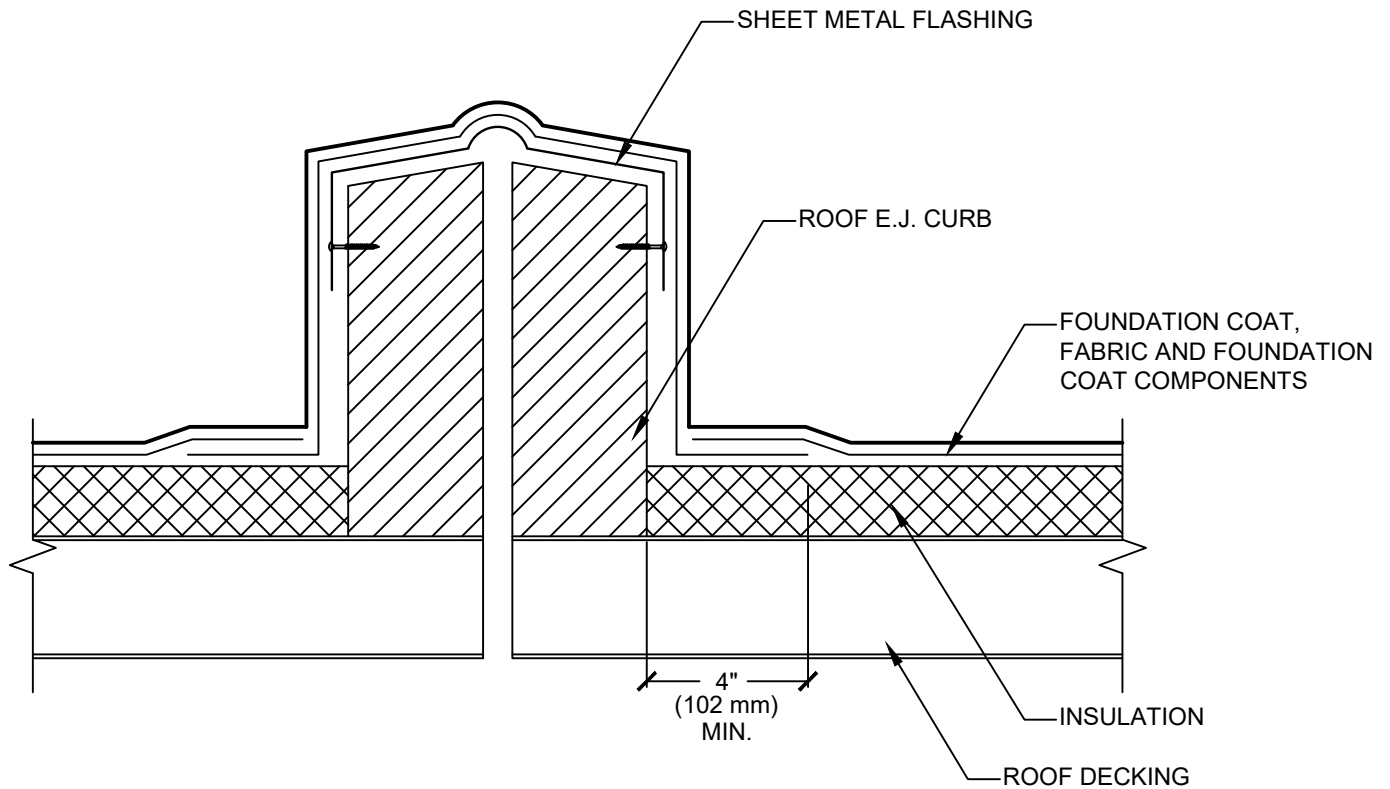


LIQUID APPLIED MEMBRANE



NOTE:

1. PREPARE ALL SURFACES IN ACCORDANCE WITH GAF SPECIFICATIONS.
2. SHEET METAL FLASHING AND EXPANSION JOINT DESIGN PROFILE TO BE DETERMINED BY ROOF DESIGNER.
3. HYDROSTOP™ PREMIUMCOAT® SYSTEM - FOUNDATION COAT, FABRIC, FOUNDATION COAT, AND FINISH COAT COMPONENTS.
4. PRIMING - REFER TO HYDROSTOP™ SPECIFICATIONS FOR DECK PRIMING REQUIREMENTS.

GAF

CURB TO CURB EXPANSION JOINT FLASHING DETAIL

DRAWING #

401

ISSUE / REVISION DATE

2/20/20

SCALE

N.T.S.

LEGEND

— FINISH COAT COMPONENT
OVER ENTIRE ROOF, COLOR
AS SPECIFIED