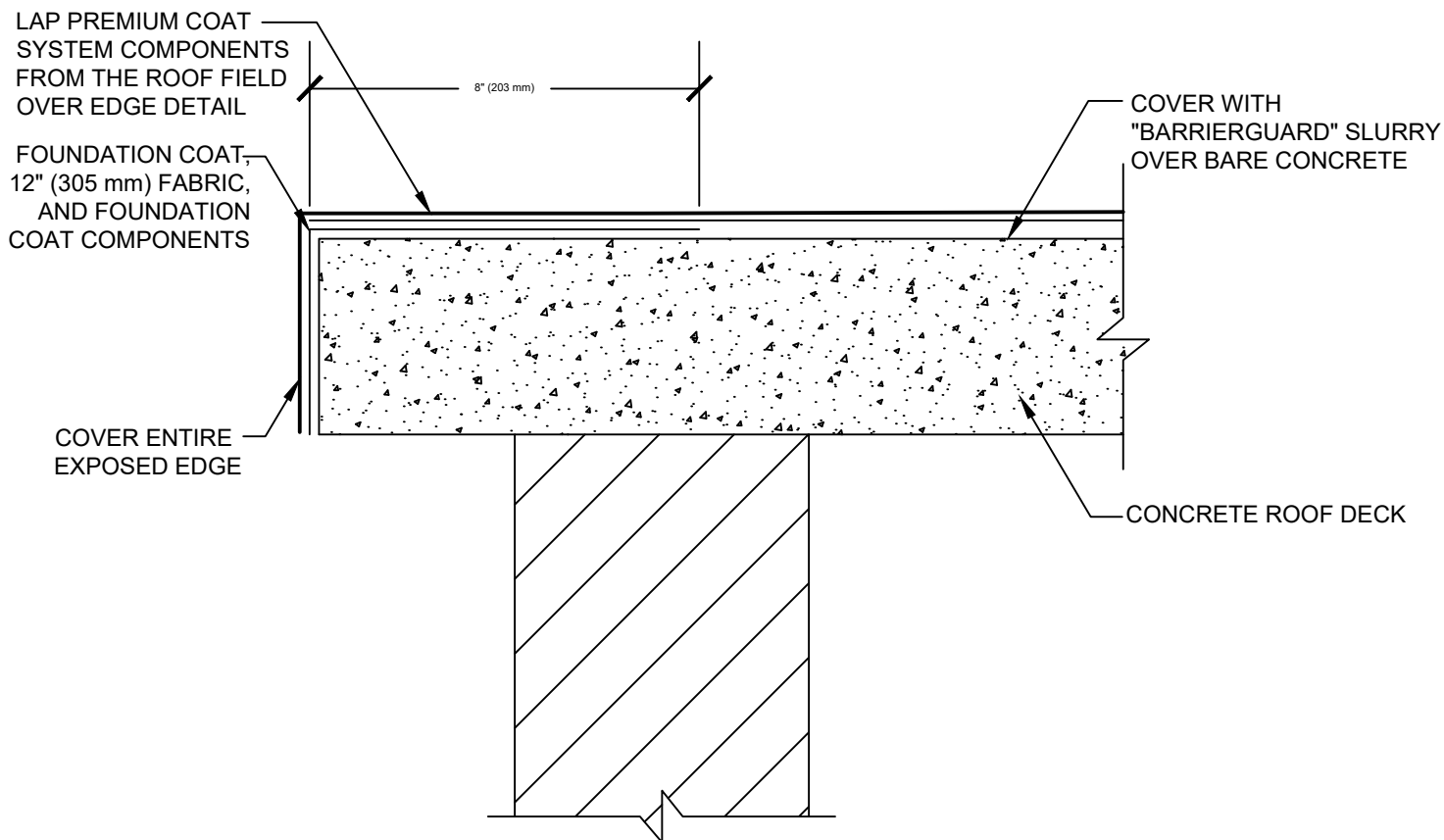


LIQUID APPLIED MEMBRANE



NOTE:

1. ALL FLASHING SHALL BE DESIGNED FOR THE APPLICABLE CONDITIONS. METAL THICKNESS, FASTENERS AND LAPPING SHALL BE AS SPECIFIED BY THE ROOF DESIGNER.
2. REFER TO THE SPECIFICATIONS FOR SPECIFIC EXECUTION REQUIREMENTS.
3. HYDROSTOP™ PREMIUMCOAT® SYSTEM - FOUNDATION COAT, FABRIC, FOUNDATION COAT, AND FINISH COAT COMPONENTS.
4. PRIMING - REFER TO HYDROSTOP™ SPECIFICATIONS FOR DECK PRIMING REQUIREMENTS.

GAF

CONCRETE ROOF DECK EDGE DETAIL

DRAWING #
203

ISSUE / REVISION DATE

2/20/20

SCALE

N.T.S.

LEGEND

— HYDROSTOP™ PREMIUMCOAT® SYSTEM