



BASIC USES & ADVANTAGES

EPS is a rigid, closed cell, lightweight, resilient foamed plastic insulation that is able to withstand the abuse of temperature cycling, assuring long term performance. GAF **EPS Cant Strips** are produced utilizing up to 20% post-consumer recycled material.

Advantages:

- Cost effective solution for Cant Strip
- More moisture resistant than wood fiber or perlite
- R-value may be used without adjustment for aging
- Mold resistant
- Lightweight, easy to cut and install

PRODUCT DESCRIPTION

EPS Cant Strip is manufactured from Expanded Polystyrene (EPS) foam, 1.5# nominal density meeting or exceeding ASTM C578, Type II. Ideally used for making smooth transitions from the roof deck surface terminating on a wall and/or parapet wall. Recommended whenever making horizontal-to-vertical plane changes.

PACKAGING & SHELF LIFE

4.25" face, 4' length (10.8 cm face, 1.2 m length),
77 pieces per box

6" face, 4' length (15.24 cm face, 1.2 m length),
30 pieces per box

Shelf life indefinite.

GAF
1 Campus Drive
Parsippany, NJ 07054
1-800-ROOF-411
gaf.com

GAF Liquid-Applied

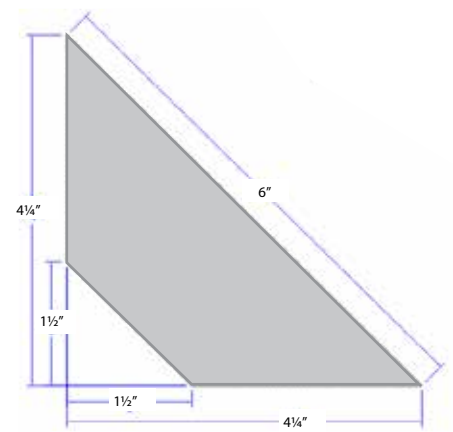
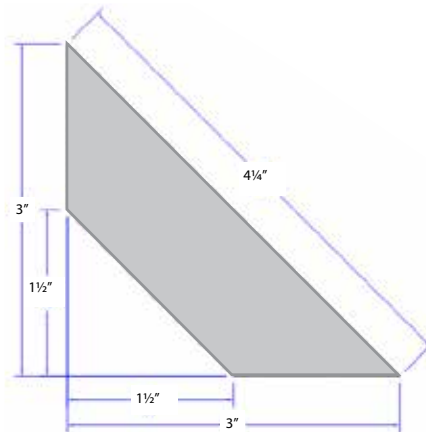
January 2016, supercedes May 2015

For technical, system, and warranty information, visit gaf.com or call 1-800-766-3411.

PHYSICAL PROPERTIES

EPS CANT STRIPS	
EPS Type	1.5# nominal density [ASTM C578]
Density Range	1.35-1.79 pcf [D303 or D1622]
Compressive 10% Deformation	15-21 psi [D1621]
R-value	4.17 (75°F)

Moisture Absorption	1.0-3.5 % (vol) [C272]
Moisture Resistance	1.0-3.5 (wvt) perm. In. [E96]
Flame Spread	<25 [ASTM E84]
Maximum Service Temperature	180°F intermittent, 167°F long-term



APPLICATION INSTRUCTIONS

Used at roof-to-wall transitions, curbs, and other horizontal-to-vertical plane changes to lessen the 90° angle. It is recommended to adhere/affix cant to only one side when

installing. After in place, flash in with acrylic basecoat (such as **PremiumCoat**® Foundation Coat or Roof Mate Base Coat) and reinforcing fabric, then subsequent top coats.

LIMITATIONS & PRECAUTIONS

EPS foam insulation contains a flame retardant. However, it should be considered flammable and should not be exposed to any source of combustion. This product should be installed in accordance to fire and building codes.

SAFETY & HANDLING

For specific information regarding safe handling of this material please refer to the Safety Data Sheet (SDS).

See applicable warranties and guarantees for complete coverage and restrictions.