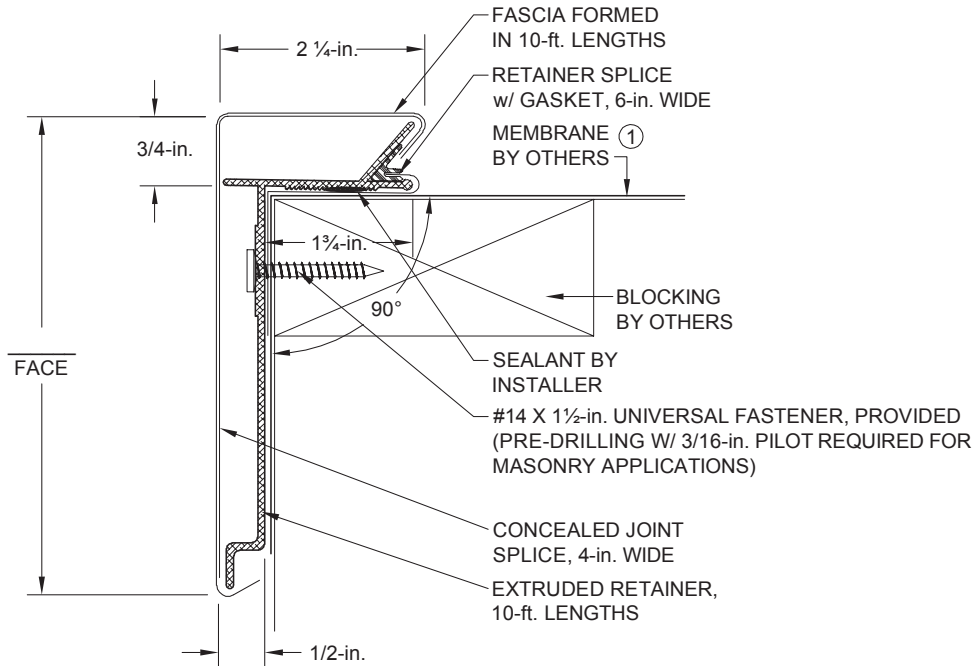


# EverGuard Standard EZ Fascia EX

**Extruded Aluminum  
Retainer For Single-Ply**


## Order Specification Form



① Coordinate installation with membrane manufacturer.

QUANTITY	CAP MATERIAL	THICKNESS	COLORS	CAP FINISH
_____ Total LF _____ Miters (____ Outside, ____ Inside) _____ End Caps (____ Left, ____ Right) _____ End Terms (____ Left, ____ Right) _____ Radius LF (Notched) _____ Vaulted LF (Welded) _____ Sumps _____ Spill Outs _____ Special Corners (Attach Sketches)	<input type="checkbox"/> Aluminum <input type="checkbox"/> Galvanized <input type="checkbox"/> Stainless Steel <input type="checkbox"/> _____ <b>MODEL / FACE</b> <input type="checkbox"/> 375 <input type="checkbox"/> 825 <input type="checkbox"/> 525 <input type="checkbox"/> 1125 <input type="checkbox"/> 675 <input type="checkbox"/> _____	<input type="checkbox"/> 0.040 <input type="checkbox"/> 0.050 <input type="checkbox"/> 0.063 <input type="checkbox"/> 24GA <input type="checkbox"/> 22GA <input type="checkbox"/> _____ <b>ACCESSORY TYPE</b> <input type="checkbox"/> Folded	<input type="checkbox"/> Statuary Bronze (A-01) <input type="checkbox"/> Concord Cream (A-02) <input type="checkbox"/> Medium Bronze (A-05) <input type="checkbox"/> Sandstone (A-06) <input type="checkbox"/> Dove Gray (A-09) <input type="checkbox"/> Shale Gray (A-20) <input type="checkbox"/> Bone White (A-23) <input type="checkbox"/> Sierra Tan (A-26) <input type="checkbox"/> _____	<input type="checkbox"/> Mill Finish <input type="checkbox"/> Prefinished Kynar <input type="checkbox"/> Post Finished Kynar <input type="checkbox"/> Prefinished Anodized <input type="checkbox"/> Post Finished Anodized <input type="checkbox"/> _____

0.063 prefinished Kynar® is only available in Statuary Bronze, Medium Bronze, Sandstone, Dove Gray, Ascot White, Forest Green & Bone White  
 22-ga. covers only available in colors Statuary Bronze, Medium Bronze, Forest Green, Bone White and Shale Gray

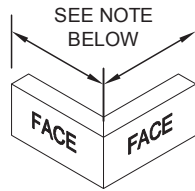
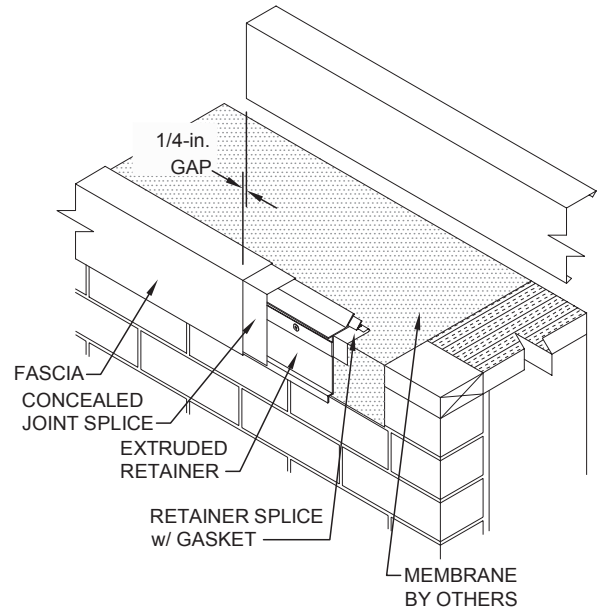
<b>APPROVALS</b> Contact manufacturer for verification of test report data on your project. <div style="display: flex; justify-content: space-around; align-items: center;"> <div style="border: 1px solid black; padding: 2px;">ANSI/SPRI/FM4435 /ES-1 TESTED</div> <div style="text-align: center;">                   FM                  APPROVED             </div> </div>	<b>CUSTOMER APPROVAL</b> <input type="checkbox"/> Approved for Fabrication <input type="checkbox"/> Approved with Changes <input type="checkbox"/> Not Approved _____ Authorized Customer Signature _____ Title                      Date	
Job Name:	Customer:	By:
Job #:	Representative:	Date:
Location:	Architect:	Sheet of



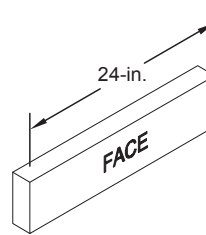
# EverGuard Standard EZ Fascia EX

## Extruded Aluminum Retainer For Single-Ply

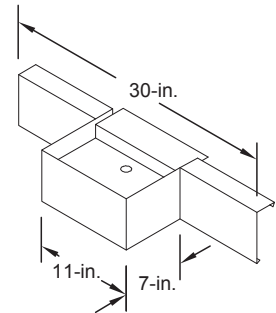
### STANDARD COLORS - Other Colors Available



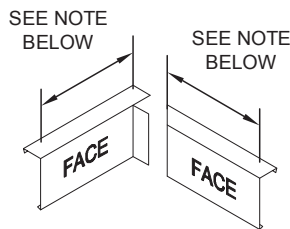
**OUTSIDE MITER**



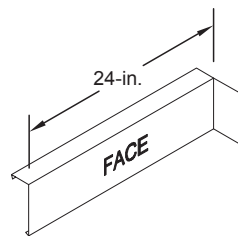
**END CAP**  
LEFT HAND SHOWN



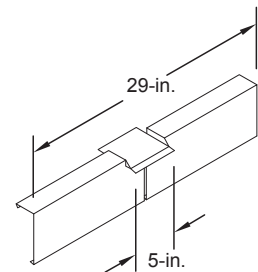
**SUMP**  
2 PIECE ASSEMBLY



**INSIDE MITER**  
2 PIECE ASSEMBLY



**END TERM**  
RIGHT HAND SHOWN



**SPILLOUT**  
3 PIECE ASSEMBLY

Standard fascia miter leg lengths: 12-in. nominal  
Standard fascia miter angle is 90°

For special miter requirements, attach sketches or consult manufacturer for assistance.