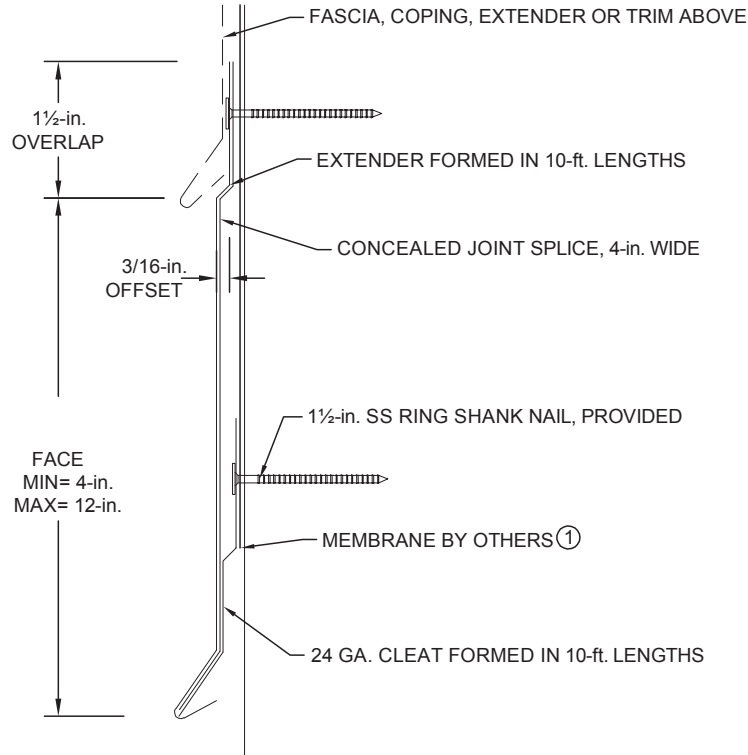


EverGuard Extender with Offset

Order Specification Form



① Coordinate installation with membrane manufacturer.

QUANTITY	CAP MATERIAL	THICKNESS	COLOR	CAP FINISH
___ Total LF ___ Miters (___Outside, ___Inside) ___ End Caps (___Left, ___Right) ___ End Terms (___Left, ___Right)	<input type="checkbox"/> Aluminum <input type="checkbox"/> Galvanized <input type="checkbox"/> Stainless Steel <input type="checkbox"/> _____ ACCESSORY TYPE <input type="checkbox"/> Welded <input type="checkbox"/> Metal-Lok	<input type="checkbox"/> 0.040 <input type="checkbox"/> 0.050 <input type="checkbox"/> 0.063 <input type="checkbox"/> 24GA <input type="checkbox"/> 22GA <input type="checkbox"/> _____	<input type="checkbox"/> Statuary Bronze (A-01) <input type="checkbox"/> Bone White (A-23) <input type="checkbox"/> Concord Cream (A-02) <input type="checkbox"/> Medium Bronze (A-05) <input type="checkbox"/> Sandstone (A-06) <input type="checkbox"/> Dove Gray (A-09) <input type="checkbox"/> Sierra Tan (A-26) <input type="checkbox"/> _____	<input type="checkbox"/> Mill Finish <input type="checkbox"/> Prefinished Kynar <input type="checkbox"/> Post Finished Kynar <input type="checkbox"/> Prefinished Anodized <input type="checkbox"/> Post Finished Anodized <input type="checkbox"/> _____

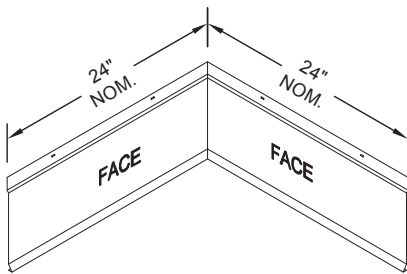
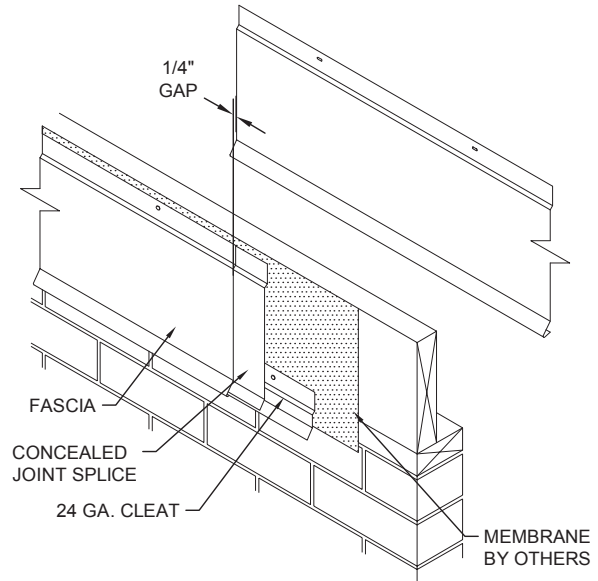
0.063 prefinished Kynar is only available in Statuary Bronze, Medium Bronze, Sandstone, Dove Gray, Ascot White, Forest Green & Bone White.
 22 GA. prefinished Kynar is only available in Statuary Bronze, Medium Bronze, Shale Gray, Forest Green & Bone White.

APPROVALS: Contact manufacturer for verification of test report data on your project.		CUSTOMER APPROVAL	
<div style="display: flex; justify-content: space-around; align-items: center;"> <div style="border: 1px solid black; padding: 2px; font-size: 8px;">ANSI/SPRI/FM4435 /ES-1 TESTED</div> </div>		<input type="checkbox"/> Approved for Fabrication <input type="checkbox"/> Approved with Changes <input type="checkbox"/> Not Approved	
Job Name: _____		Authorized Customer Signature _____	
Job #: _____		Title _____ Date _____	
Location: _____		Customer: _____ By: _____	
Location: _____		Representative: _____ Date: _____	
Location: _____		Architect: _____ Sheet _____ of _____	

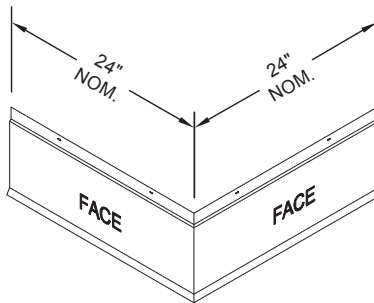


EverGuard Extender with Offset

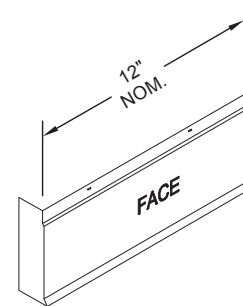
STANDARD COLORS - Other Colors Available



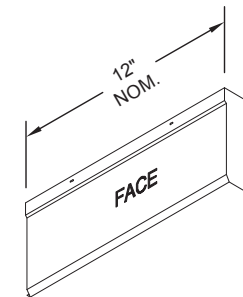
INSIDE MITER



OUTSIDE MITER



END CAP
LEFT HAND SHOWN



END TERM
RIGHT HAND SHOWN

Standard coping miter leg lengths are 24-in. Nominal
Standard fascia miter angle is 90°
For special miter requirements, attach sketches or consult manufacturer for assistance.