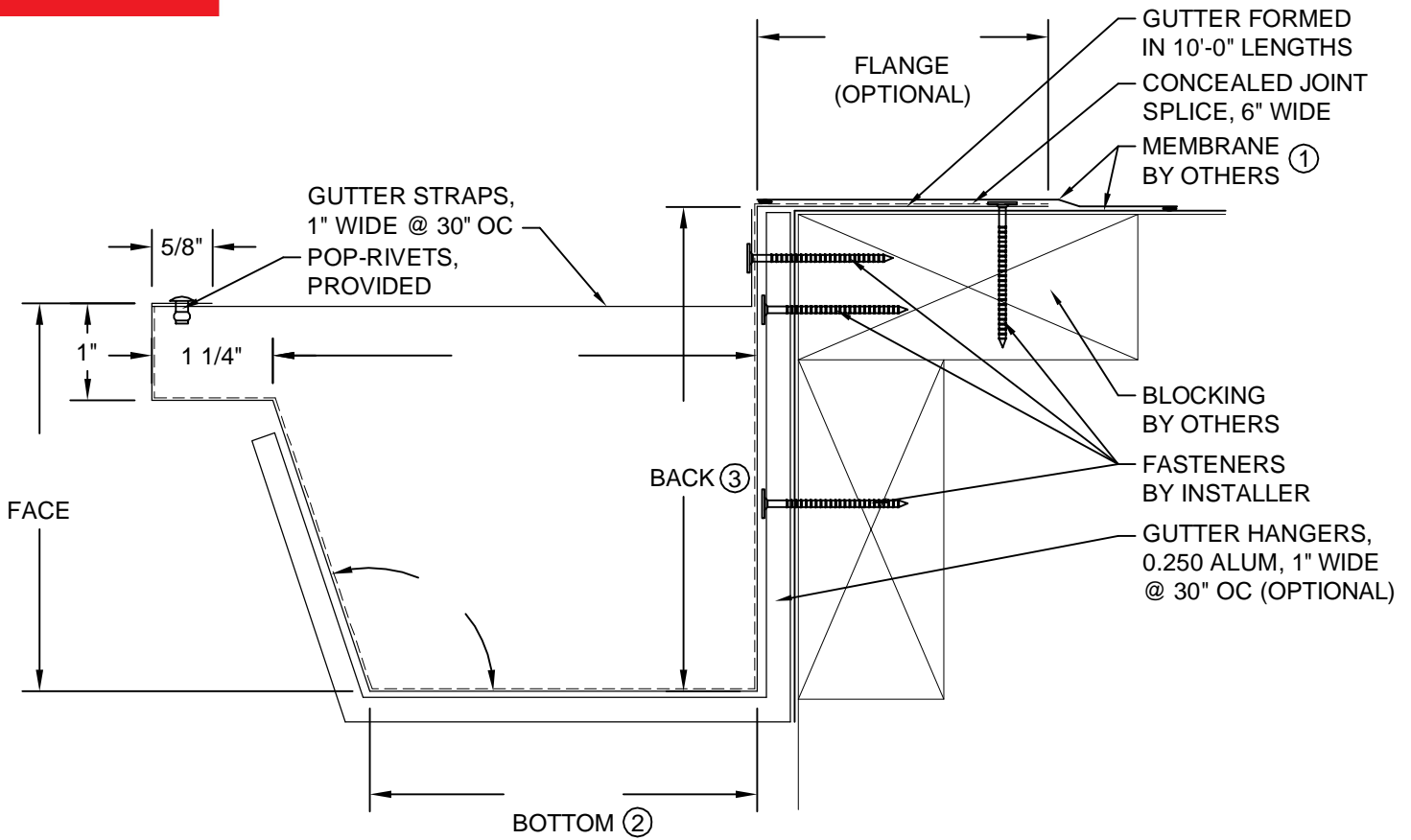




GAF Traditional Gutter

ORDER / SPECIFICATION FORM



- ① Coordinate installation with membrane manufacturer.
- ② Bottom dimension must be \geq than face dimension.
- ③ Back dimension must be 1" (min) larger than face dimension.

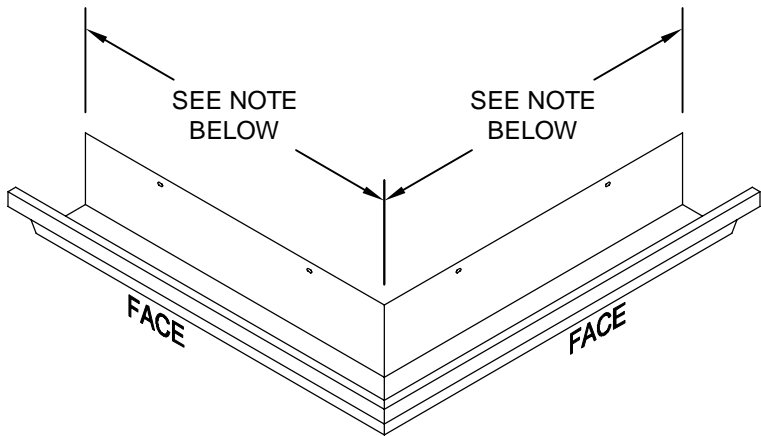
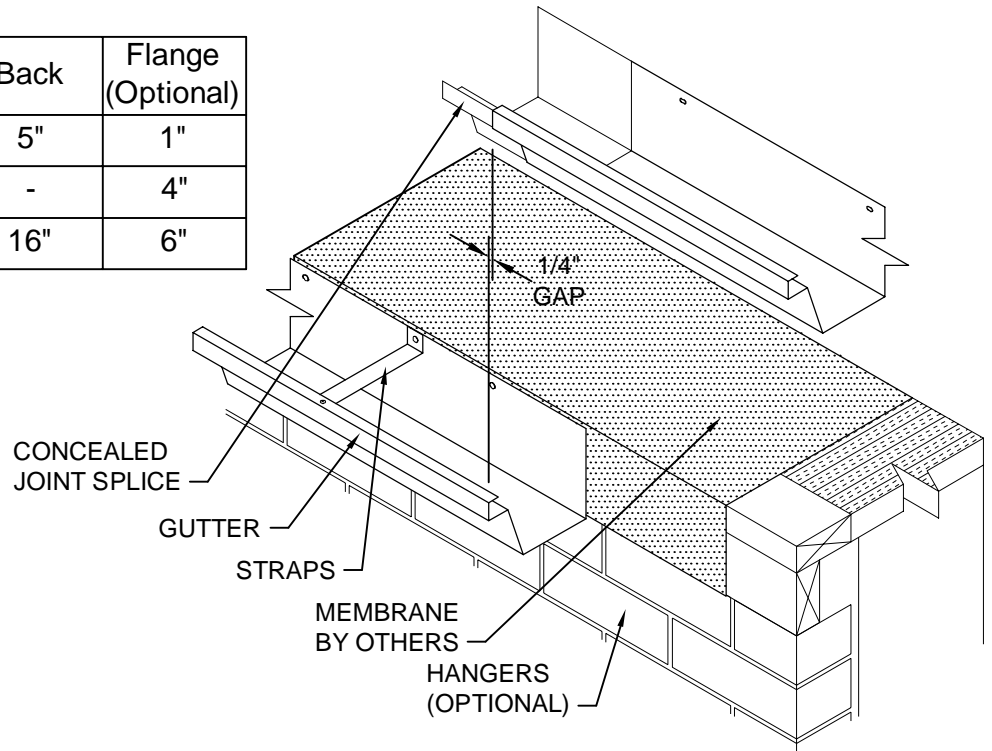
QUANTITY	MATERIAL	THICKNESS	ACCESSORY TYPE	FINISH
_____ Total LF (10'-0" pcs)	<input type="checkbox"/> Aluminum	<input type="checkbox"/> 0.040	<input type="checkbox"/> Welded	<input type="checkbox"/> Mill Finish
_____ Miters (___ Outside, ___ Inside)	<input type="checkbox"/> Galvanized	<input type="checkbox"/> 0.050		<input type="checkbox"/> Prefinished Kynar
_____ End Caps (___ Left, ___ Right)	<input type="checkbox"/> Stainless Steel	<input type="checkbox"/> 0.063		<input type="checkbox"/> Post Finished Kynar
_____ Expansion Joints (If Required)	<input type="checkbox"/> _____	<input type="checkbox"/> 0.080	<u>HANGERS</u>	<input type="checkbox"/> Prefinished Anodize
_____ Compound Miter (Attach Sketches)		<input type="checkbox"/> 0.125	<input type="checkbox"/> Yes	<input type="checkbox"/> Post Finished Anodize
_____ Radius LF (5'-0" pcs)		<input type="checkbox"/> 24GA		<input type="checkbox"/> _____
		<input type="checkbox"/> 22GA		
		<input type="checkbox"/> _____		<u>COLOR</u>

0.063 prefinished Kynar® is only available in Statuary Bronze, Medium Bronze, Sandstone, Dove Gray, Ascot White, Forest Green & Bone White

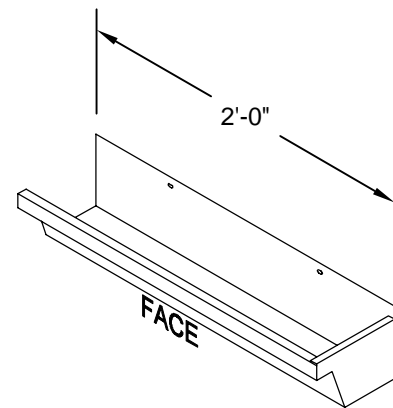
<u>APPROVALS</u> (Contact manufacturer for verification of test report data on your project)	<u>CUSTOMER APPROVAL</u> <input type="checkbox"/> Approved for Fabrication <input type="checkbox"/> Approved with Changes <input type="checkbox"/> Disapproved, Resubmit	
	_____ Authorized Customer Signature Title _____ Date _____	
Job Name:	Customer:	By:
Job #:	Representative:	Date:
Location:	Architect:	Sheet of

GAF Traditional Gutter

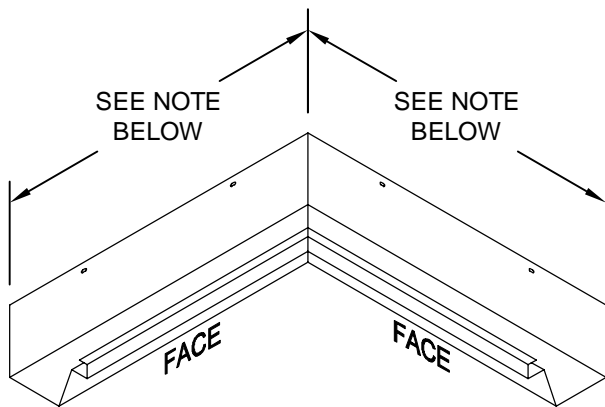
	Face	Bottom	Back	Flange (Optional)
Minimum	4"	4"	5"	1"
Standard	-	-	-	4"
Maximum	12"	14"	16"	6"



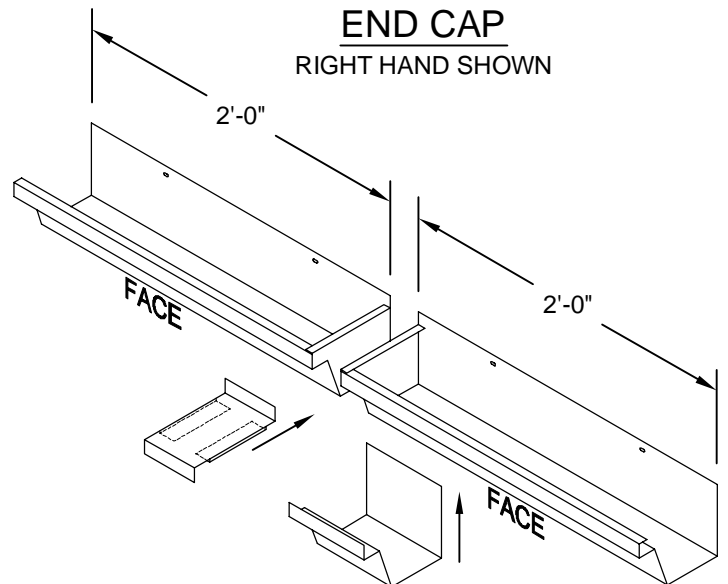
OUTSIDE MITER



END CAP
RIGHT HAND SHOWN



INSIDE MITER



EXPANSION JOINT
(IF REQUIRED)

Standard gutter miter leg lengths: 24" nominal

Standard gutter miter angle is 90°

For special miter requirements, attach sketches or consult manufacturer for assistance.