

TECHNICAL ADVISORY BULLETIN



Quality You Can Trust...
From North America's
Largest Roofing Manufacturer!

To: GAF Residential Sales, GAF Contractors, GAF Field Services
From: Technical Services Department

Issued Date: 05/27/2011
Revised Date: 06/17/2016

Subject: *Proper Flashing*

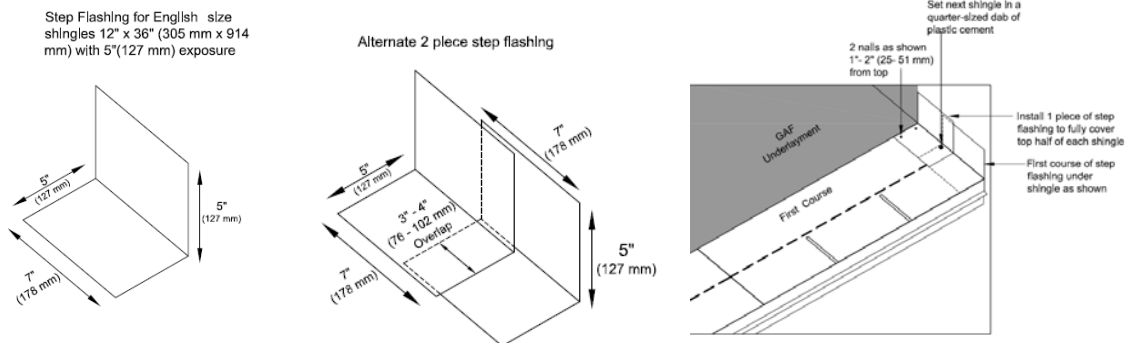
No: TAB-R 2011-121

Why Is Proper Flashing So Important?

Proper flashings and flashing techniques may be the single most important aspect of your new roof. When installed correctly, the flashings provide a weather tight seal against the elements. Poorly manufactured and installed flashings are the #1 cause of roof leaks and are very difficult to repair. Flashings are not covered under the manufacturer's limited material warranty.

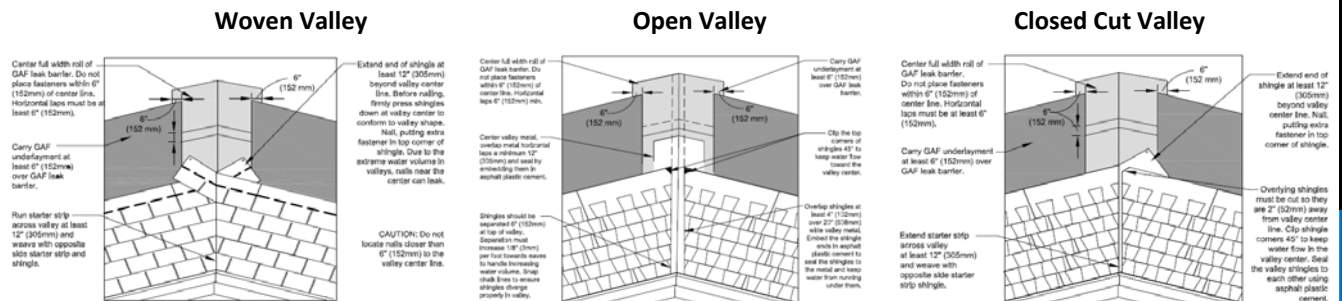
The Importance Of Proper Step Flashing And Counterflashing

Proper step and counter flashing is critical at all roof-to-sidewall transitions. Without proper flashings installed, your new roof may leak. **"L" metal should not be used in these transition areas**, due to its propensity to leak. **New step flashing should be used whenever possible** and you should always verify the step flashing size is appropriate for the type of shingle being used [normally 5" x 5" x 2" (127 mm x 127 mm x 51 mm) greater than the exposure of the shingle being installed]. For example, a 12" x 36" (305 mm x 914 mm), with a 5" (127 mm) exposure should use a 5" x 5" x 7" (127 mm x 127 mm x 51 mm) length of step flashing. **The step flashing should be manufactured with non-corroding metal and covered with an appropriate counterflashing.**



The Importance Of Proper Valley Flashing

Proper valley construction and installation is very important for proper roof to roof drainage. Poorly designed and constructed valleys are often prone to leaking. **Three types of valleys commonly used** in steep slope roofing are:



These valleys, when properly installed and maintained, will provide years of dependable service. For more information on valley flashing, see **TAB-R-2011-136 Valley Flashing Options** and review the application instructions printed on the inside of the shingle wrappers to confirm which valley constructions are acceptable for use with the shingles being installed.

***The Importance Of
Proper Vent Flashing***

All through-roof penetrations, such as plumbing stacks and electrical conduits should have new flashings installed. All flashings should be fabricated using non-corroding metal. An impermeable leak barrier such as GAF WeatherWatch® or StormGuard® Leak Barrier should be placed around all openings prior to roofing.

***Where Can I Get More
Information?***

GAF Technical Services Can Assist You... with these and other questions you may have regarding your new roof installation. GAF Technical Services can be contacted at **800-ROOF-411** (800-766-3411). Also, the GAF website is a great resource for just about any question you may have or for additional information you may require. Please visit www.gaf.com to find the latest information on our products and their installation.

Important: This document supersedes any prior GAF Technical Advisory Bulletins on this topic. Please always check www.gaf.com to make sure you have the most up to date information.