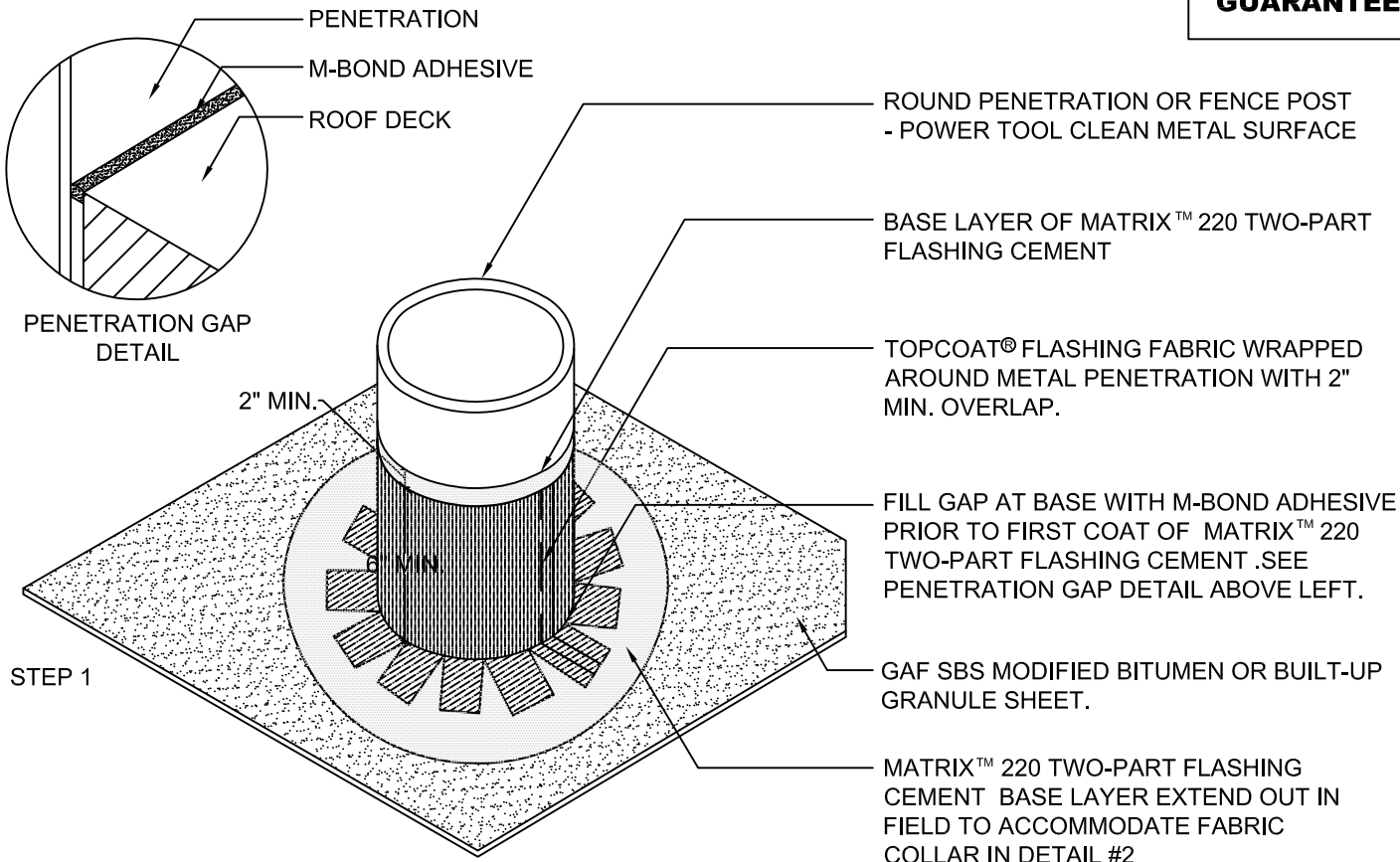
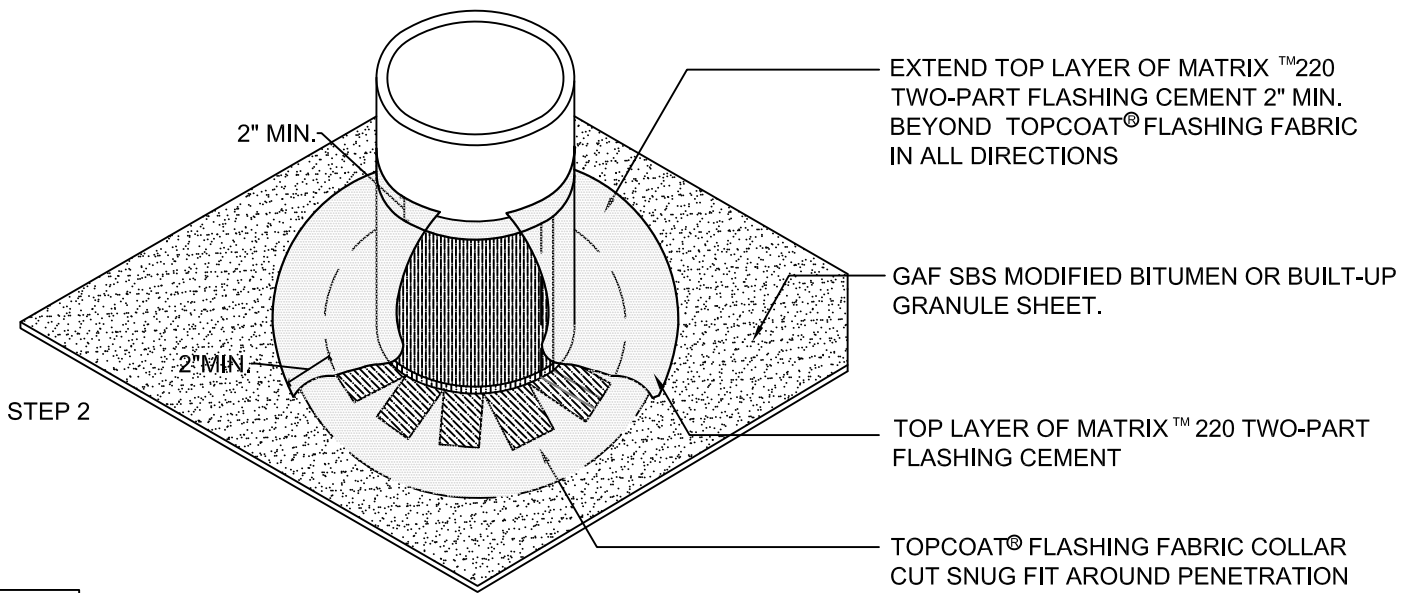


**20 YEAR MAX  
GUARANTEE**



STEP 1



STEP 2

**NOTE:**

1. PENETRATION GAPS GREATER THAN 1/4" REQUIRE BACKER ROD BEFORE APPLICATION OF M-BOND™ ADHESIVE.
2. FENCE POST MUST HAVE WATERTIGHT CAP OR FILL WITH NON-SHRINK GROUT OR FOAM AND DRILL WEEP HOLE IN PIPE ABOVE FILL LEVEL.
3. FOR CLUSTERS OF PIPES, 4" MINIMUM BETWEEN PIPES.



**MATRIX™ 220**  
TWO-PART FLASHING  
CEMENT

ROOF  
PENETRATION  
SERIES

**PIPE PENETRATION AND FENCE POST  
FLASHING DETAIL**

DRAWING #  
**511**

SCALE  
N.T.S.

SYSTEM  
**MX220**

ISSUE/ REVISION DATE  
**6-1-15**