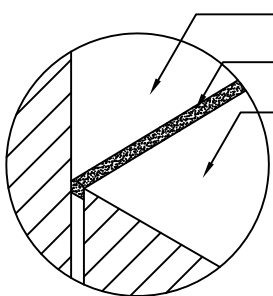
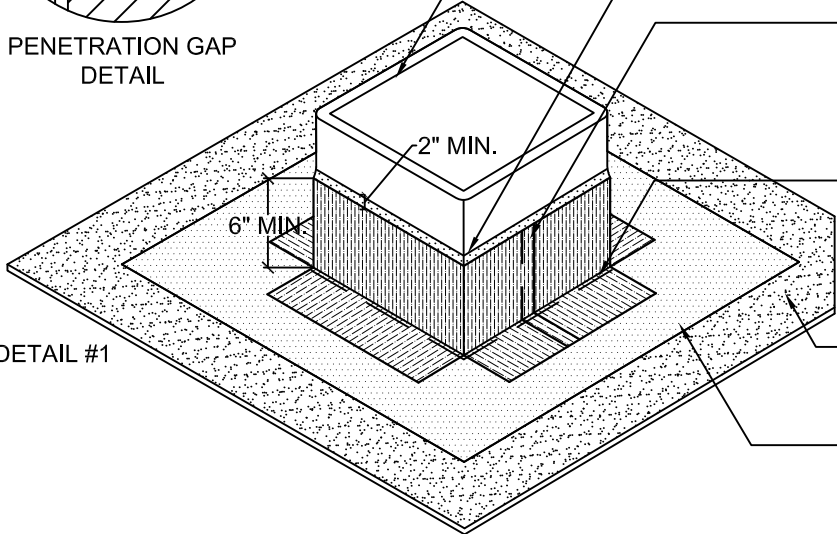


**20 YEAR MAX
GUARANTEE**



**PENETRATION GAP
DETAIL**



DETAIL #1

SQUARE PENETRATION - POWER TOOL
CLEAN METAL SURFACE

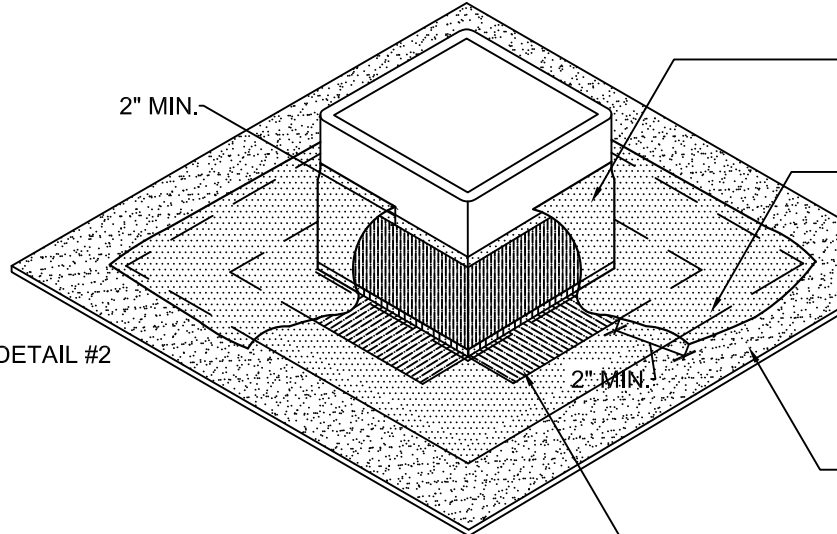
BASE LAYER OF MATRIX™ 220 TWO-PART
FLASHING CEMENT EXTEND 2" MIN PAST
TOPCOAT FLASHING FABRIC.

TOPCOAT® FLASHING FABRIC WRAPPED
AROUND METAL PENETRATION WITH 2"
MIN. OVERLAP AT ALL JOINTS.

FILL GAP WITH M-BOND ADHESIVE PRIOR
TO FIRST COAT OF MATRIX™ 220
TWO-PART FLASHING CEMENT. SEE
PENETRATION GAP DETAIL ABOVE.

GAF SBS MODIFIED BITUMEN OR BUILT-UP
GRANULE SHEET.

MATRIX™ 220 TWO-PART FLASHING
CEMENT BASE LAYER EXTEND OUT IN
FIELD TO ACCOMMODATE FABRIC COLLAR
IN DETAIL #2



DETAIL #2

EXTEND OUTER COAT OF MATRIX™ 220
TWO-PART FLASHING CEMENT UP 2" MIN.
ABOVE TOPCOAT® FLASHING FABRIC

TOP LAYER OF MATRIX™ 220 TWO-PART
FLASHING CEMENT EXTENDING A
MINIMUM OF 2" PAST TOPCOAT
FLASHING FABRIC IN ALL LOCATIONS.

GAF SBS MODIFIED BITUMEN OR BUILT-UP
GRANULE SHEET.

TOPCOAT® FLASHING FABRIC COLLAR
CUT SNUG FIT AROUND PENETRATION
WITH 1/4" MIN. VERTICAL UP TURN.

NOTE:

1. PENETRATION GAPS GREATER THAN 1/4" (6MM) REQUIRE BACKER ROD BEFORE APPLICATION OF M-BOND ADHESIVE.



MATRIX™ 220
TWO-PART FLASHING
CEMENT

ROOF
PENETRATION
SERIES

**LOW SQUARE POST PENETRATION
FLASHING DETAIL**

DRAWING #
510

SCALE
N.T.S.

SYSTEM
MX220

ISSUE/ REVISION DATE
6-1-15