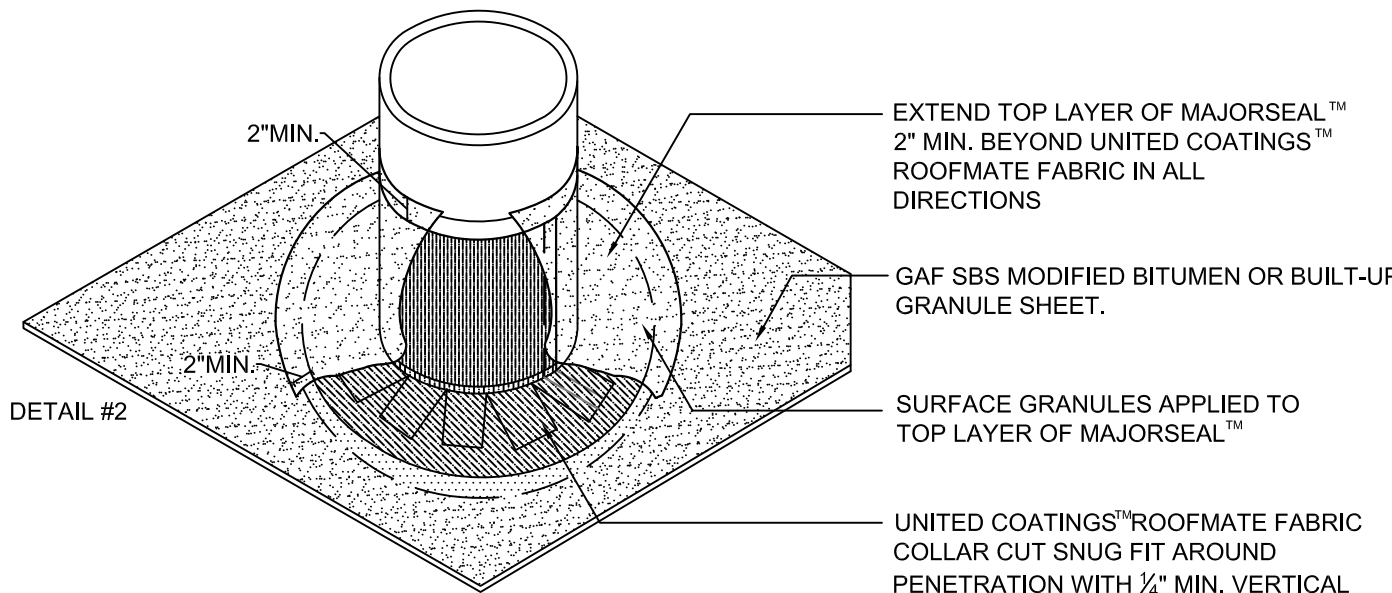
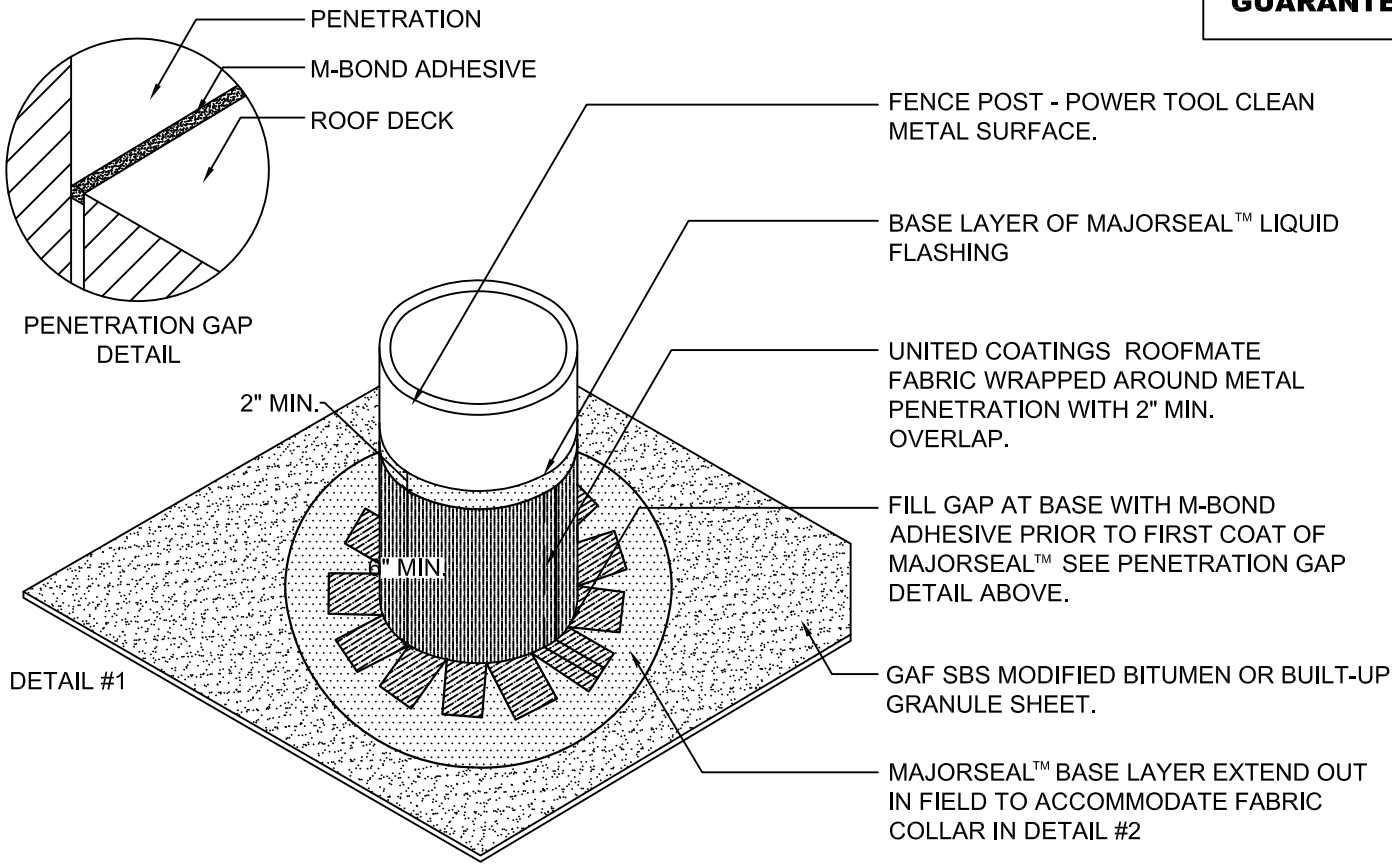


**20 YEAR MAX
GUARANTEE**



NOTE:

1. PENETRATION GAPS GREATER THAN 1/4" REQUIRE BACKER ROD BEFORE APPLICATION OF M-BOND ADHESIVE.
2. FENCE POST MUST HAVE WATERTIGHT CAP OR FILL WITH NON-SHRINK GROUT OR FOAM AND DRILL WEEP HOLE IN PIPE ABOVE FILL LEVEL.

 <small>www.gaf.com 1 Campus Drive, Parsippany, NJ 07054</small>	MAJORSEAL™ LIQUID FLASHING	TYPICAL FENCE POST FLASHING DETAIL	DRAWING # 512	SYSTEM MM
	ROOF PENETRATION SERIES		SCALE N.T.S.	ISSUE/ REVISION DATE 1-1-16