



Roof Mate Coating

Roof Mate Fabric cut to size and encapsulated in Roof Mate Butter Grade Flashing.

NOTE: It is important to work quickly during this entire detail process. DO NOT allow the Butter Grade Flashing to dry between coats or the fabric will not be properly encapsulated.

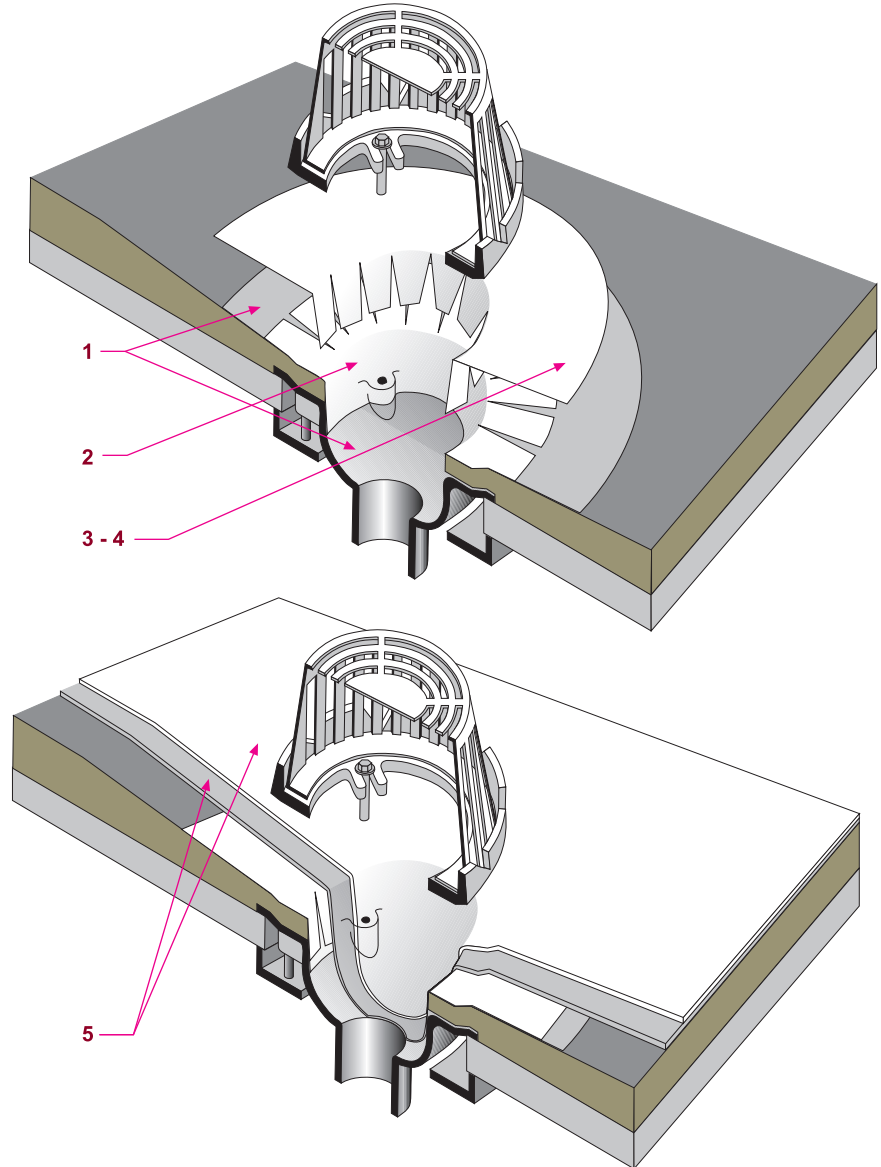
STEP 1: Using a 3" to 4" (7.5 to 10 cm) paintbrush, liberally apply a coat of Roof Mate Butter Grade Flashing to the entire drain bowl. Extend the Butter Grade Flashing approximately 6" (15 cm) beyond the bowl rim and onto the roof surface in all directions.

STEP 2: While the Butter Grade Flashing is still wet, cut a strip of Roof Mate Fabric long enough to line the interior diameter of the drain bowl with a 1" to 2" (2.5 to 5 cm) overlap. The fabric should be wide enough to fit approximately halfway to the bottom of the bowl while also extending 3" to 4" (7.5 to 10 cm) above the bowl rim. Cut the fabric extending above the bowl rim into flanges, flattening them into the wet Butter Grade Flashing with the brush in a pattern extending away from the bowl. Apply additional Roof Mate Butter Grade Flashing to completely encapsulate the fabric.

STEP 3: Cut a second, circular piece of Roof Mate Fabric just large enough to cover the drain and fabric flanges of the first piece of fabric. Fold the fabric in half and then in half again to find the center. Use scissors to cut off enough of the point to create a hole in the exact center of the fabric that is not more than half the diameter of the drain bowl.

STEP 4: Unfold the circular piece of fabric and center it over the drain. Apply additional Roof Mate Butter Grade Flashing around the perimeter of the drain if it is not still wet enough to absorb into the fabric. Cut the fabric into flanges extending outward from the center of the hole to the edge of the bowl. Use the brush to smooth the fabric flanges down into the bowl, working out any air pockets or wrinkles. Apply additional Butter Grade Flashing to completely encapsulate the Roof Mate Fabric, extending it 1" to 2" (2.5 to 5 cm) beyond the edge of the fabric around the perimeter of the drain on the roof surface.

STEP 5: Coat over the entire detailed area with Roof Mate Base Coating and Roof Mate Coating as it is applied to the balance of the roof, per project specifications. Refer to appropriate Master Guide Specifications for complete application instructions.



Roof Mate
Fabric Reinforced Drain

Version 2

01-18-16, supercedes 06-14-07



Quality You Can Trust...
From North America's
Largest Roofing Manufacturer!™