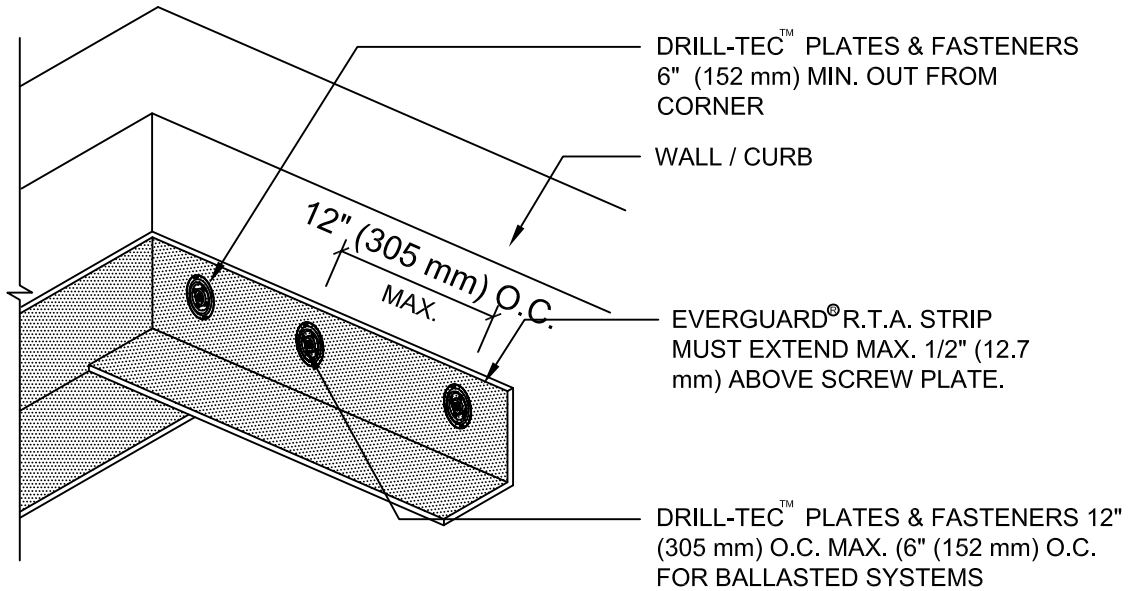
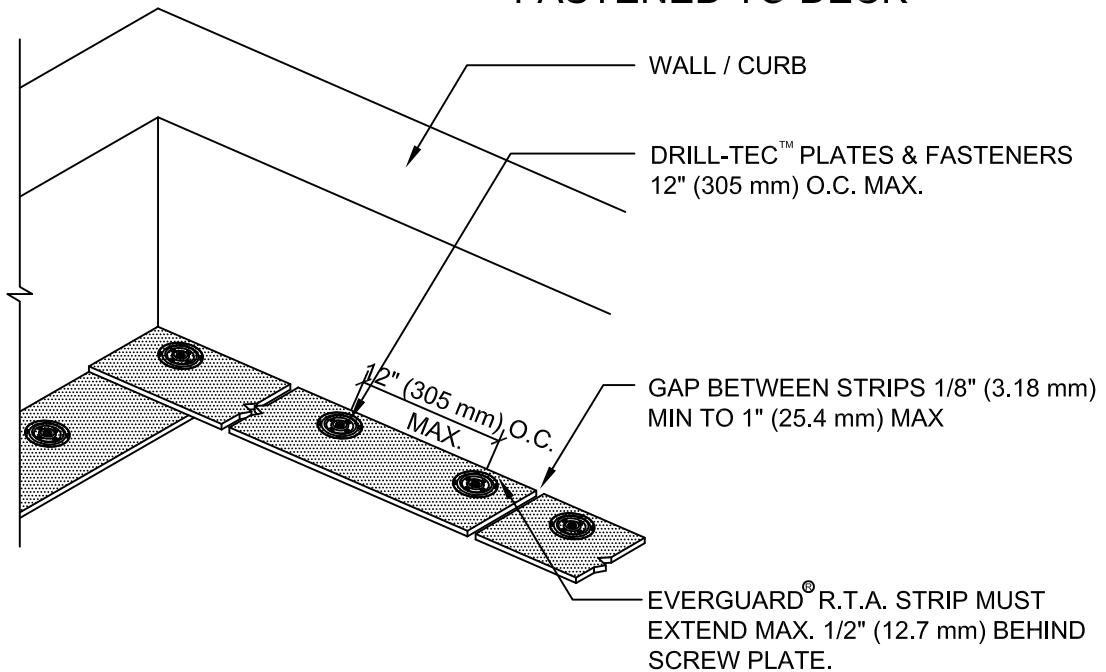


## FASTENED TO WALL / CURB



## FASTENED TO DECK



### NOTE:

1. THIS DETAIL IS NOT TO BE USED FOR EVERGUARD® PVC MEMBRANES OR MECHANICALLY ATTACHED SYSTEMS.
2. R.T.A. STRIP MAY BE FIELD FABRICATED OUT OF EVERGUARD® FREEDOM™ MEMBRANE.
3. COMMON FASTENER ANCHORING THE OVERLAP OF THE TWO STRIPS IN THE CORNER.
4. FOR INSULATION THICKNESS GREATER THAN 8" (203 mm), A HARD BOARD IS REQUIRED ON MECHANICAL SYSTEMS ONLY.



www.gaf.com  
1 Campus Drive,  
Parsippany, NJ 07054

**EverGuard**  
SINGLE-PLY ROOFING SYSTEMS  
PARAPET WALL &  
CURB SERIES

DRAWING #  
**326A**

SCALE  
N.T.S.

**R.T.A. STRIP - INSIDE CORNER  
REINFORCEMENT DETAIL**

THIS DETAIL APPLIES TO:  
Ballasted Systems  
(Smooth Membrane Only)  
Adhered Systems  
(Smooth Membrane Only)  
Self-Adhered Systems

REVISION DATE  
**5-1-16**