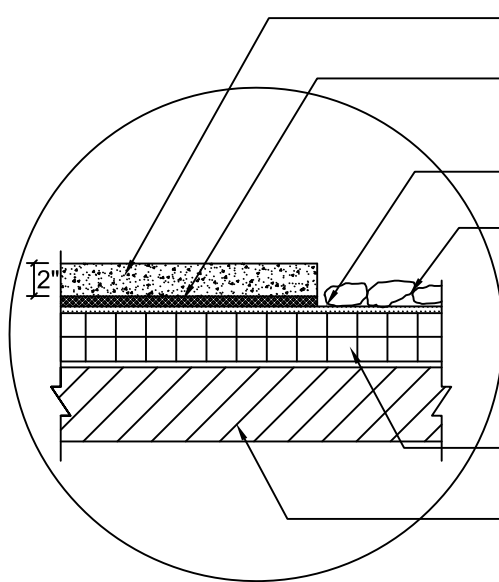


STONE/PAVER BALLAST  
 EVERGUARD® POLY CUSHIONING LAYER  
 REINFORCED EVERGUARD® MEMBRANE



CONCRETE PAVER  
 EVERGUARD® POLY CUSHIONING LAYER  
 (IF BALLAST ROCK IS RE-USED)  
 REINFORCED EVERGUARD® MEMBRANE  
 STONE/PAVER BALLAST  
 ENERGYGUARD™ ROOF INSULATION  
 ROOF DECK / SUBSTRATE

**NOTE:**

1. REMEMBER DO NOT CROSS SEAMS WITH CONCRETE PAVER OR EVERGUARD® POLY CUSHIONING SHEET
2. WARRANTY INSPECTION TO BE MADE BEFORE BALLAST IS BROADCAST AROUND ROOF.



**EverGuard**  
 SINGLE-PLY ROOFING SYSTEMS  
 SPECIAL CONSTRUCTION  
 SERIES

DRAWING #  
**603**

**PAVER WALKWAY INSTALLATION  
 DETAIL**

THIS DETAIL APPLIES TO:  
**Ballasted Systems**

www.gaf.com  
 1 Campus Drive,  
 Parsippany, NJ 07054

SCALE  
 N.T.S.

REVISION DATE  
 5-26-16