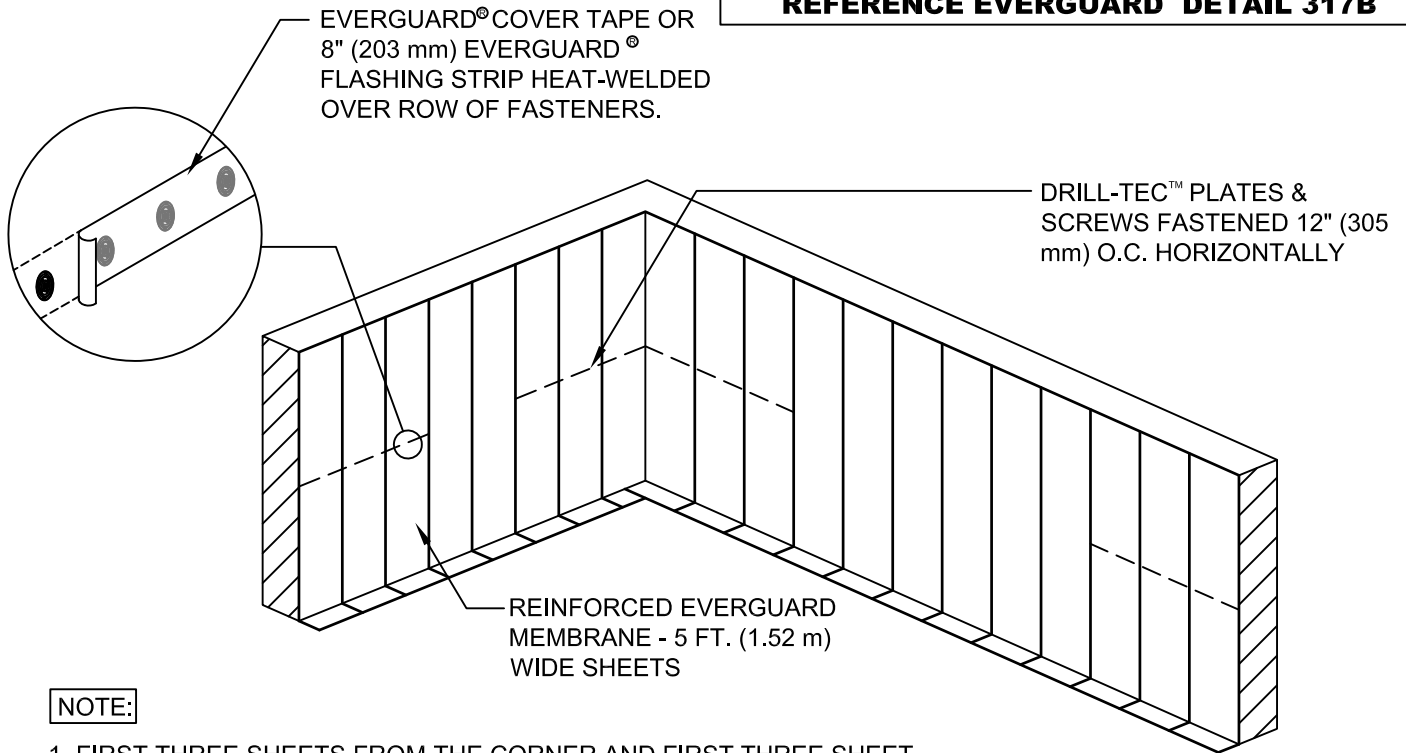


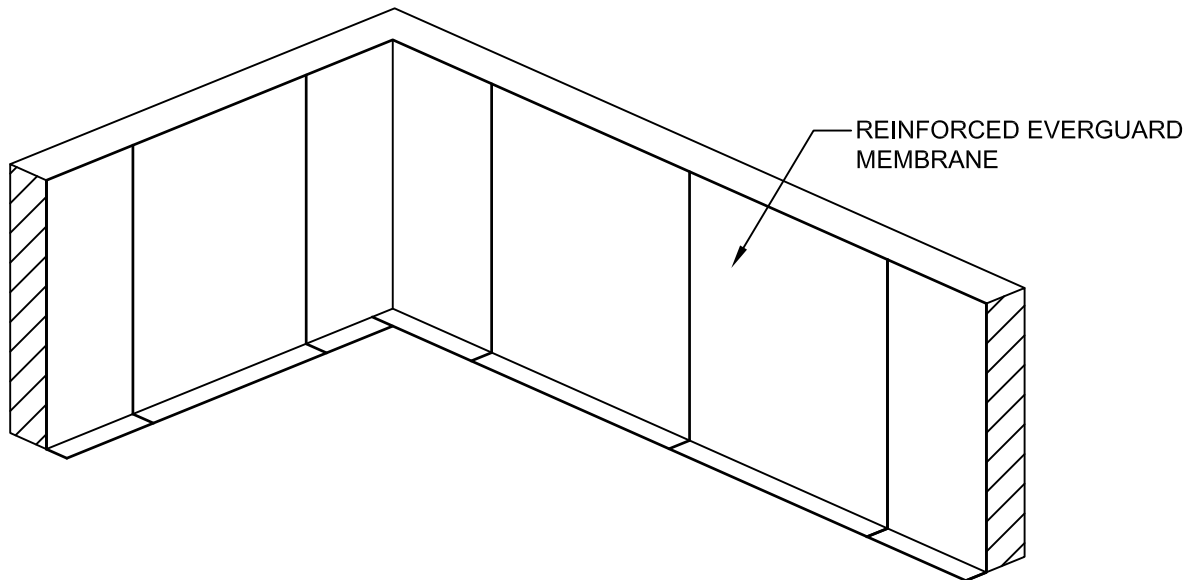
**FOR 5' (1.52 m) WIDE SHEETS
REFERENCE EVERGUARD DETAIL 317B**



NOTE:

1. FIRST THREE SHEETS FROM THE CORNER AND FIRST THREE SHEET FROM THE WALL EDGE REQUIRE A ROW DRILL-TEC PLATES AND FASTENERS 12" O.C. MID WAY UP THE WALL AS SHOWN.

**FOR 10' (3.05 m) WIDE SHEETS
REFERENCE EVERGUARD DETAIL 317A**



NOTE:

1. FIRST SHEET FROM THE CORNER AND FIRST SHEET FROM THE WALL EDGE ARE 10' (3.05 m) WIDE. ALL SHEETS IN BETWEEN ARE 20' (6.10 m) WIDE.



www.gaf.com
1 Campus Drive,
 Parsippany, NJ 07054



DRAWING #
317D

SCALE
N.T.S.

HIGH WALL FLASHING DETAIL
INTERMITTENT FASTENING & VERTICAL SHEET LAYOUT

THIS DETAIL APPLIES TO:
Adhered Systems
Ballasted Systems
Mechanically Attached Systems
TriPosite Systems

REVISION DATE
4-5-16