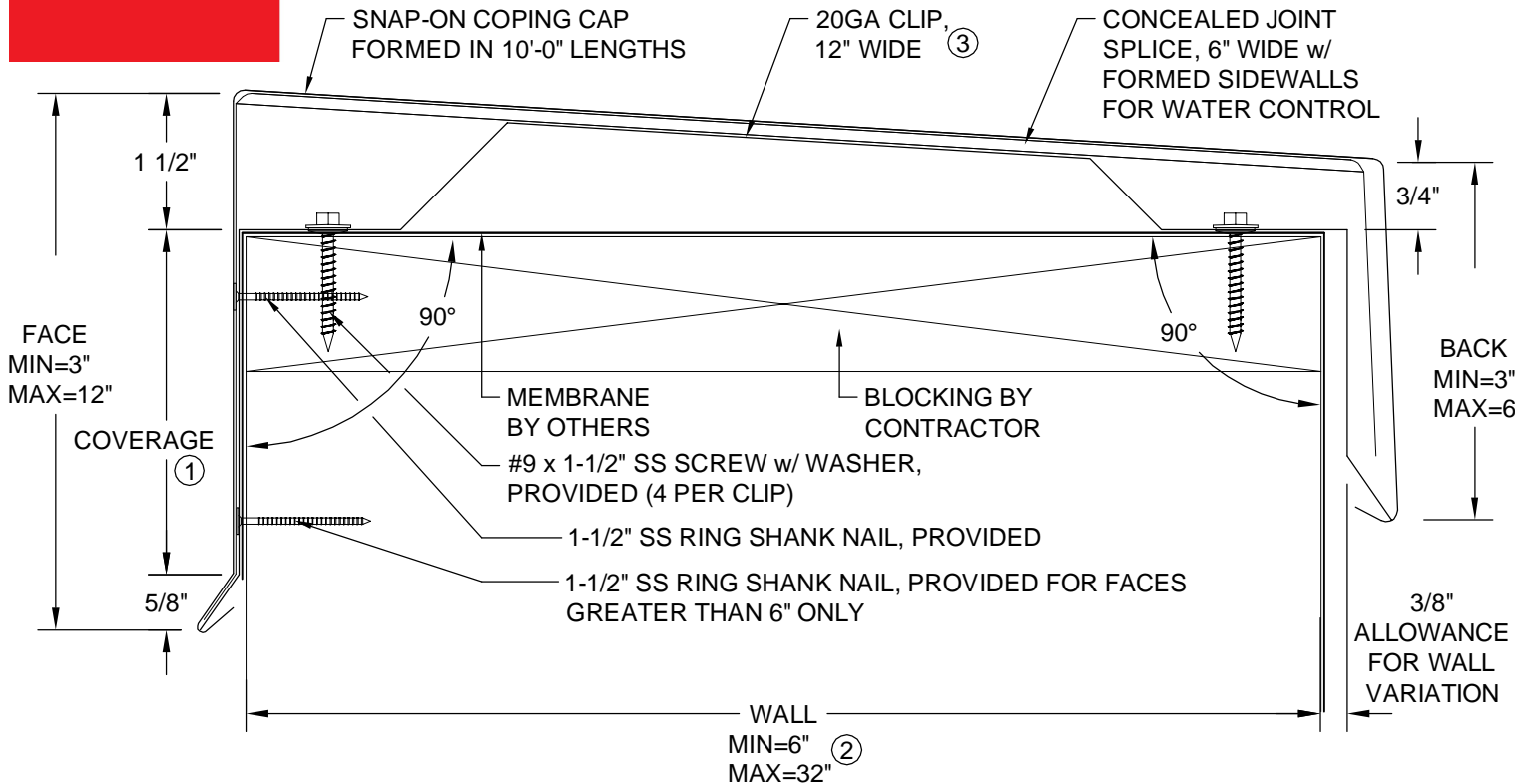




M-Weld Snap-On Coping

ORDER / SPECIFICATION FORM



QUANTITY

- _____ Total LF (10'-0" pcs)
- _____ Miters (___ Outside, ___ Inside)
- _____ End Caps (___ Left, ___ Right)
- _____ End Caps Inserts (___ Left, ___ Right)
- _____ End Terms (___ Left, ___ Right)
- _____ Radius LF (5'-0" pcs)
- _____ Radius to Straight Miters
- _____ Radius End Conditions
- _____ Vaulted LF (5'-0" pcs)
- _____ Vaulted to Straight Miters
- _____ Tee Miters
- _____ Zee Miters
- _____ Transition Miters, (Attach Sketches)
- _____ Ridge Miters,
- _____ Valley Miters,
- _____ Special Corners

- ① Face = coverage (should extend a min of 1" below water resistant wall surface)+2 1/8".
- ② Contact manufacturer for coping design on walls outside these parameters.
- ③ Clip spacing; see back page. Clip has a different profile on walls 20" to 32" (See profile on back page).
- ④ 0.040 ALUM & 24GA GALV coping cap only available for wall sizes 6" to 24".

MATERIAL	THICKNESS	ACCESSORY TYPE	FINISH
<input type="checkbox"/> Aluminum	<input type="checkbox"/> 0.040 ④	<input type="checkbox"/> Welded	<input type="checkbox"/> Mill Finish
<input type="checkbox"/> Galvanized	<input type="checkbox"/> 0.050	<input type="checkbox"/> Metal-Lok	<input type="checkbox"/> Prefinished Kynar
<input type="checkbox"/> Stainless Steel	<input type="checkbox"/> 0.063		<input type="checkbox"/> Post Finished Kynar
<input type="checkbox"/> _____	<input type="checkbox"/> 0.080		<input type="checkbox"/> Prefinished Anodize
	<input type="checkbox"/> 0.125		<input type="checkbox"/> Post Finished Anodize
	<input type="checkbox"/> 24GA ④		<input type="checkbox"/> _____
	<input type="checkbox"/> 22GA		
	<input type="checkbox"/> _____	COLOR	

APPROVALS (Contact manufacturer for verification of test report data on your project)



CUSTOMER APPROVAL

- Approved for Fabrication
 - Approved with Changes
 - Disapproved, Resubmit
- Authorized Customer Signature _____

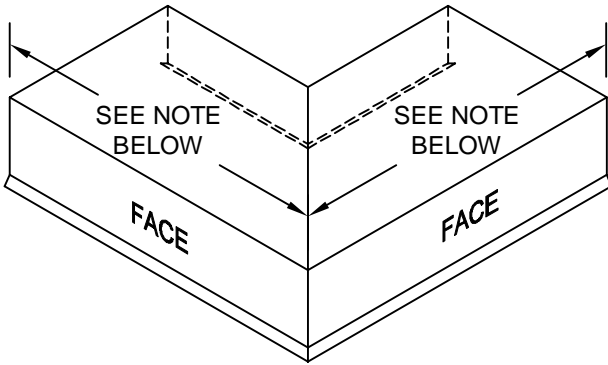
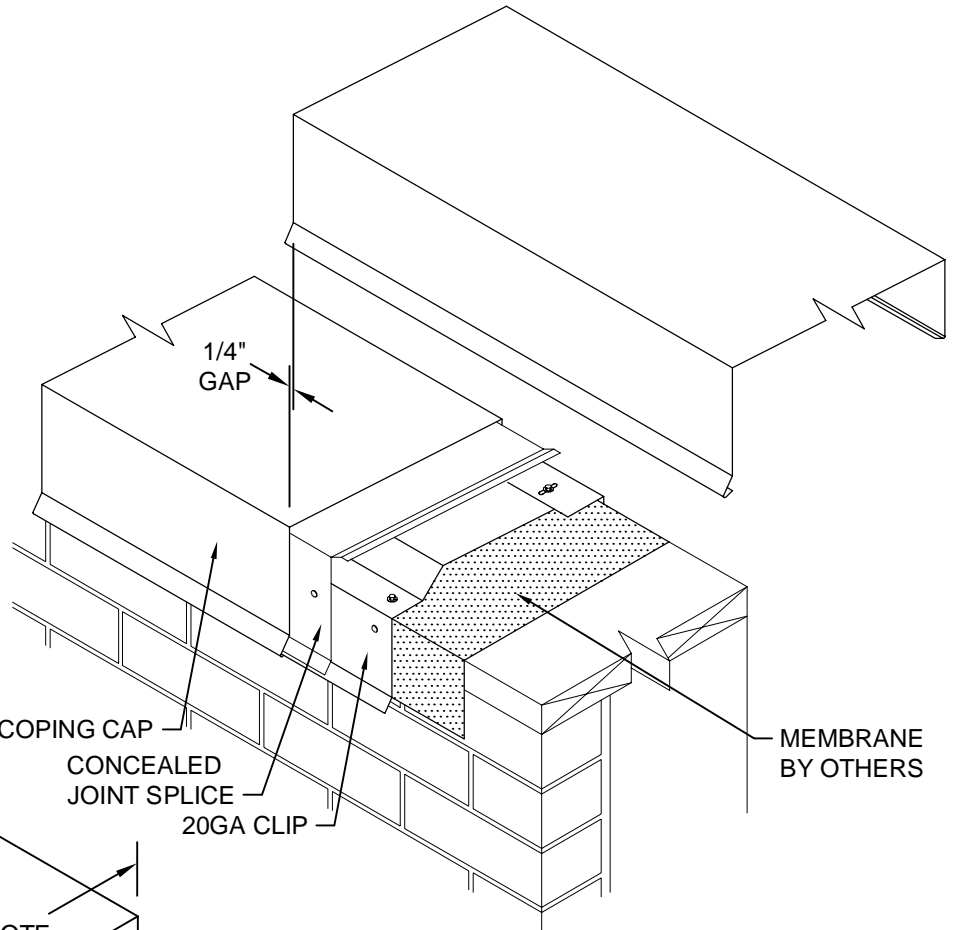
Title _____ Date _____

Job Name:	Customer:	By:
Job #:	Representative:	Date:
Location:	Architect:	Sheet of

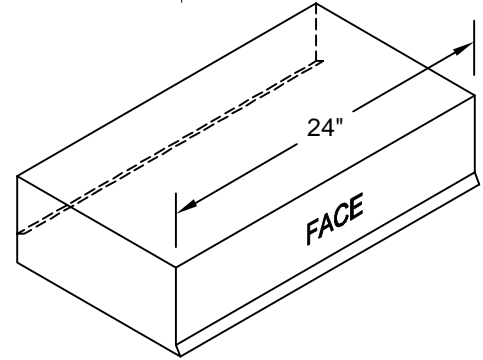
M-Weld Snap-On Coping

CLIP PROFILE FOR WALLS 20" TO 32"

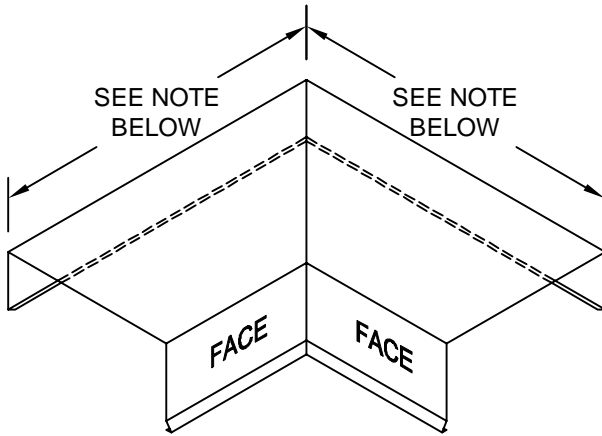
CLIP SPACING	
WALL SIZE	SPACING
≤ 16" (less than or equal to)	60" O.C.
> 16" (greater than)	40" O.C.



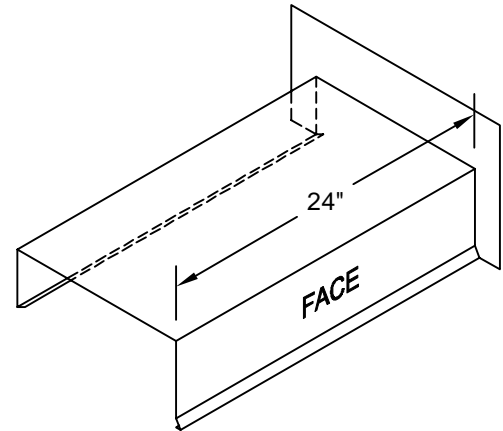
OUTSIDE MITER



END CAP
LEFT HAND SHOWN



INSIDE MITER



END TERM
RIGHT HAND SHOWN

Standard coping miter leg lengths:

23 1/4" for 6" to 16" wall widths

29 1/4" 16" to 23" wall widths

custom lengths for wall widths > 23"

Standard coping miter angle is 90°

For special miter requirements, attach sketches or consult manufacturer for assistance.