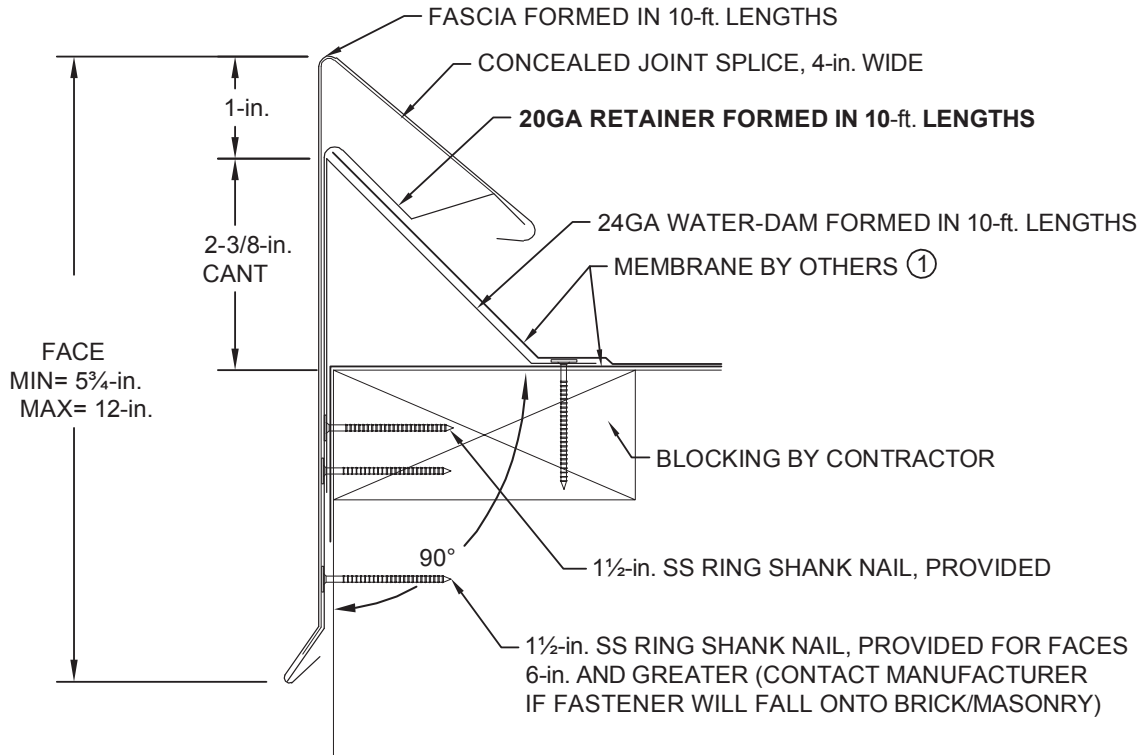


# M-Weld NP Fascia

For Built-Up and  
Modified Roofs



## Order Specification Form



① Coordinate installation with membrane manufacturer.

QUANTITY		CAP MATERIAL		THICKNESS	COLOR	CAP FINISH			
___	Total LF	___	Transition Miters	<input type="checkbox"/> Aluminum <input type="checkbox"/> Galvanized <input type="checkbox"/> Stainless Steel <input type="checkbox"/> _____	<input type="checkbox"/> 0.050 <input type="checkbox"/> 0.063 <input type="checkbox"/> 0.080 <input type="checkbox"/> 24GA <input type="checkbox"/> 22GA <input type="checkbox"/> ____	<input type="checkbox"/> Statuary Bronze (A-01) <input type="checkbox"/> Bone White (A-23) <input type="checkbox"/> Concord Cream (A-02) <input type="checkbox"/> Medium Bronze (A-05) <input type="checkbox"/> Sandstone (A-06) <input type="checkbox"/> Dove Gray (A-09) <input type="checkbox"/> Sierra Tan (A-26) <input type="checkbox"/> _____	<input type="checkbox"/> Mill Finish <input type="checkbox"/> Prefinished Kynar <input type="checkbox"/> Post Finished Kynar <input type="checkbox"/> Prefinished Anodized <input type="checkbox"/> Post Finished Anodized <input type="checkbox"/> _____		
___	Miters (___ Outside, ___ Inside)	___	Ridge Miters					<b>ACCESSORY TYPE</b> <input type="checkbox"/> Welded <input type="checkbox"/> Metal-Lok	
___	End Caps (___ Left, ___ Right)	___	Valley Miters						<b>Attach Sketches</b>
___	End Terms (___ Left, ___ Right)	___	Special Corners						
___	Radius LF								
___	Sumps								
___	Spillouts								

0.063 prefinished Kynar is only available in Statuary Bronze, Medium Bronze, Sandstone, Dove Gray, Ascot White, Forest Green & Bone White.  
 22 GA Prefinished Kynar is only available in Statuary Bronze, Medium Bronze, Shale Gray, Forest Green & Bone White.

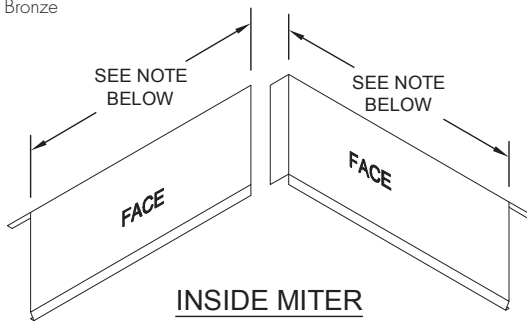
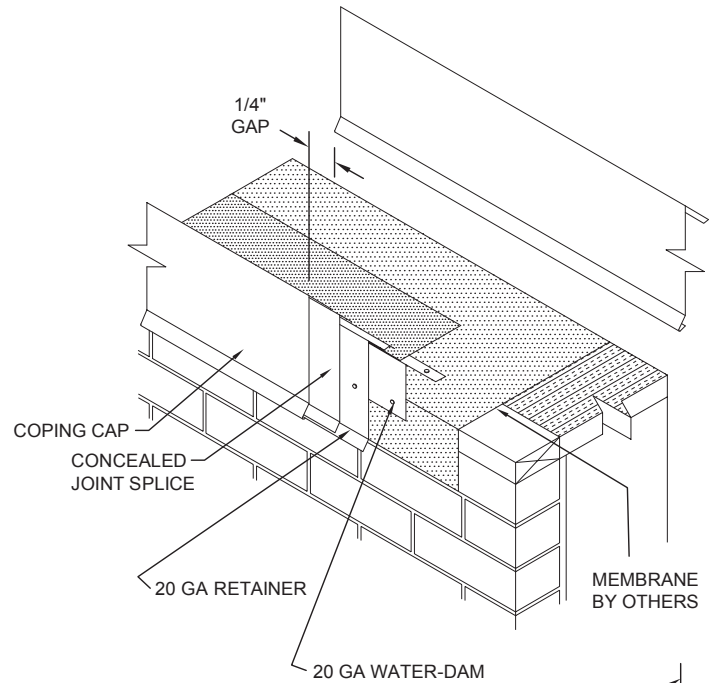
<b>APPROVALS:</b> Contact manufacturer for verification of test report data on your project.		<b>CUSTOMER APPROVAL</b>	
 		<input type="checkbox"/> Approved for Fabrication <input type="checkbox"/> Approved with Changes <input type="checkbox"/> Not Approved	
		Authorized Customer Signature _____ Title _____ Date _____	
Job Name:	Customer:	By:	
Job #:	Representative:	Date:	
Location:	Architect:	Sheet of _____	



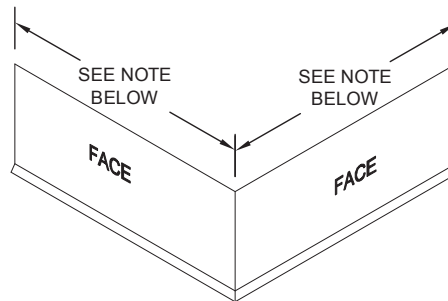
# M-Weld NP Fascia

For Built-Up and  
Modified Roofs

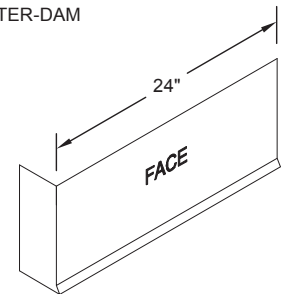
## STANDARD COLORS - Other Colors Available



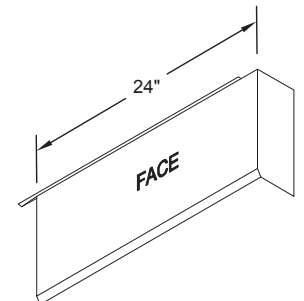
INSIDE MITER



OUTSIDE MITER



END CAP  
LEFT HAND SHOWN



END TERM  
RIGHT HAND SHOWN

Standard coping miter leg lengths:  
 23 $\frac{1}{4}$ -in. for 6-in. to 16-in. wall widths  
 29 $\frac{1}{4}$ -in. 16-in. to 23-in. wall widths  
 custom lengths for wall widths > 23-in.  
 Standard coping miter angle is 90°  
 For special miter requirements, attach sketches or consult manufacturer for assistance.  
 Refer to Installation Guide for Clip Spacing