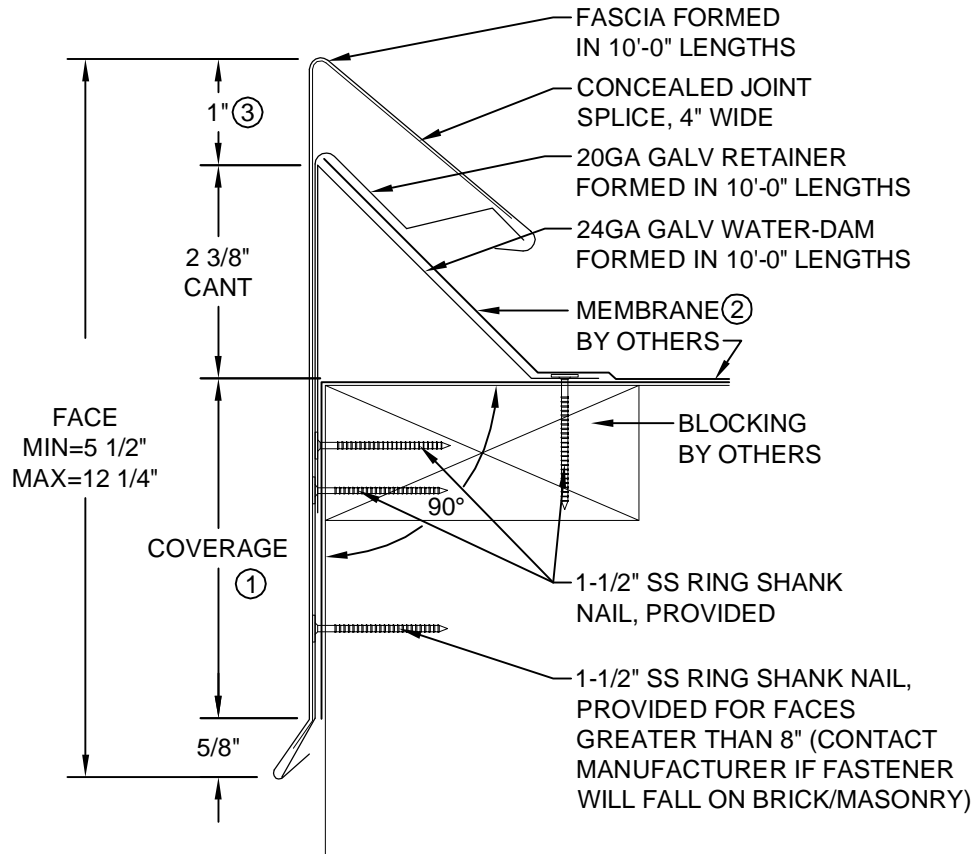




# M-Weld Gravel Guard MB Fascia

ORDER / SPECIFICATION FORM  
(For Built-Up and Modified Roofing)



**QUANTITY**

\_\_\_\_\_ Total LF (10'-0" pcs)

\_\_\_\_\_ Miters (\_\_\_ Outside, \_\_\_ Inside)

\_\_\_\_\_ End Caps (\_\_\_ Left, \_\_\_ Right)

\_\_\_\_\_ End Terms (\_\_\_ Left, \_\_\_ Right)

\_\_\_\_\_ Radius LF (10'-0" pcs)

\_\_\_\_\_ Ridge/Valley Miters

\_\_\_\_\_ Compound Miters

\_\_\_\_\_ Special Corners \_\_\_\_\_ (Attach Sketches)

\_\_\_\_\_ Sumps

\_\_\_\_\_ Spill Outs

- ① Face = Coverage (should extend a min. of 1" below water resistant wall surface)+ 4".
- ② Coordinate installation with membrane manufacturer.
- ③ The dimension shown will vary depending upon the number of roofing plys used.

MATERIAL	THICKNESS	ACCESSORY TYPE	FINISH
<input type="checkbox"/> Aluminum	<input type="checkbox"/> 0.050	<input type="checkbox"/> Welded	<input type="checkbox"/> Mill Finish
<input type="checkbox"/> Galvanized	<input type="checkbox"/> 0.063	<input type="checkbox"/> Folded	<input type="checkbox"/> Prefinished Kynar
<input type="checkbox"/> Stainless Steel	<input type="checkbox"/> 24GA		<input type="checkbox"/> Post Finished Kynar
<input type="checkbox"/> _____	<input type="checkbox"/> 22GA		<input type="checkbox"/> Prefinished Anodize
	<input type="checkbox"/> _____		<input type="checkbox"/> Post Finished Anodize
			<input type="checkbox"/> _____

**COLOR**

0.063 prefinished Kynar® is only available in Statuary Bronze, Medium Bronze, Sandstone, Dove Gray, Ascot White, Forest Green & Bone White

**APPROVALS** (Contact manufacturer for verification of test report data on your project)



**CUSTOMER APPROVAL**

Approved for Fabrication

Approved with Changes

Disapproved, Resubmit

\_\_\_\_\_ Authorized Customer Signature

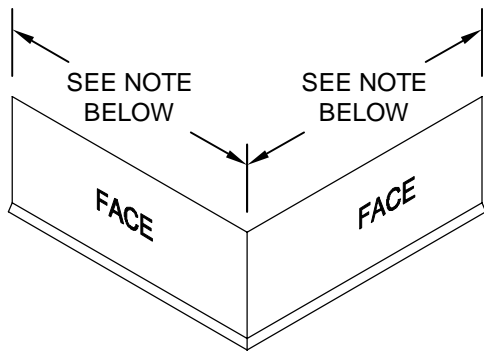
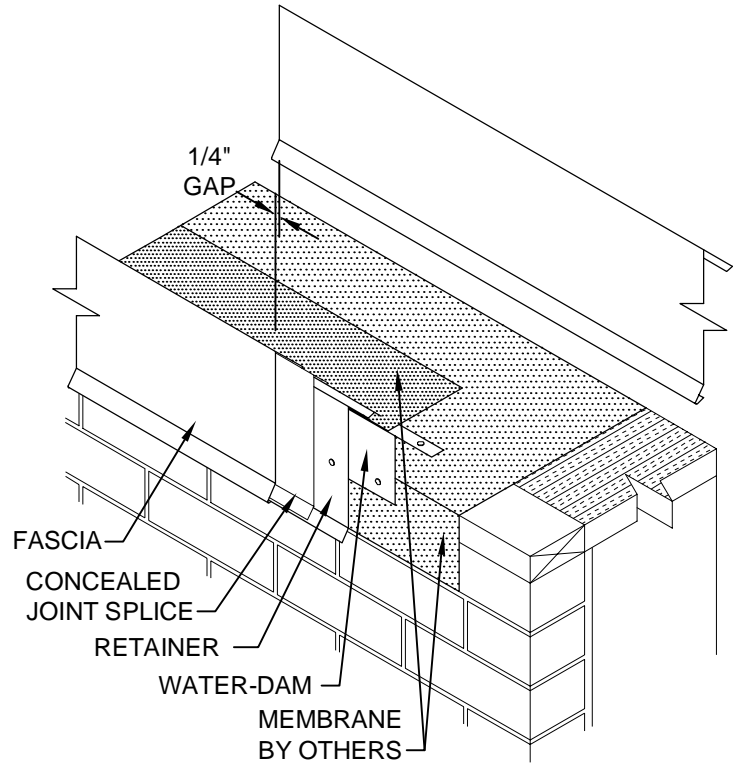
\_\_\_\_\_ Title \_\_\_\_\_ Date

Job Name:	Customer:	By:
Job #:	Representative:	Date:
Location:	Architect:	Sheet of

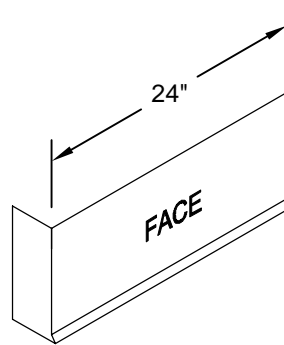
# M-Weld Gravel Guard MB Fascia

Fascia Model	Face Height	Minimum Fascia Gauge	Maximum Nailer Coverage	Water Dam Gauge
NPF-625	6 1/4"	0.050	2 1/4"	24GA
NPF-775	7 3/4"	0.050	3 3/4"	22GA
NPF-925	9 1/4"	0.050	5 1/4"	20GA
NPF-1075	10 3/4"	0.050	6 3/4"	20GA

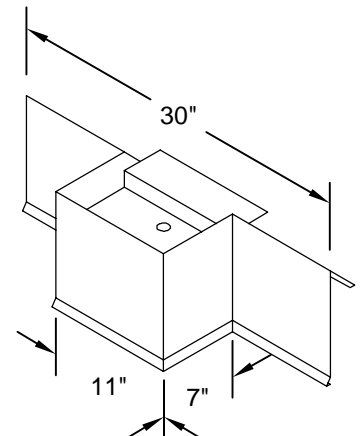
Intermediate formed fascia sizes may be specified within the allowable range of 5-1/2" to 12-1/4".



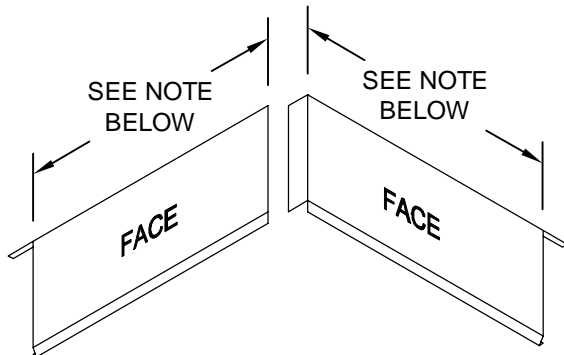
OUTSIDE MITER



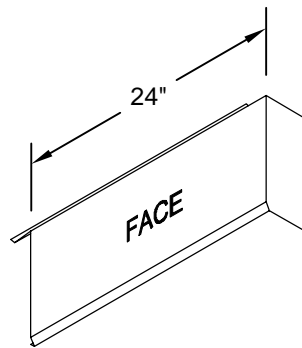
END CAP  
LEFT HAND SHOWN



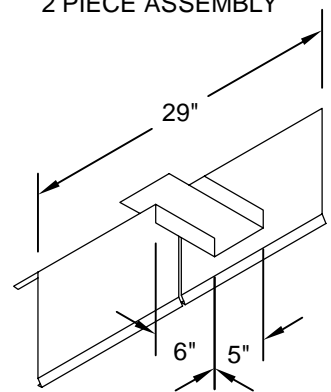
SUMP  
2 PIECE ASSEMBLY



INSIDE MITER



END TERM  
RIGHT HAND SHOWN



SPILLOUT  
3 PIECE ASSEMBLY

Standard fascia miter leg lengths: 24" nominal

Standard fascia miter angle is 90°

For special miter requirements, attach sketches or consult manufacturer for assistance.