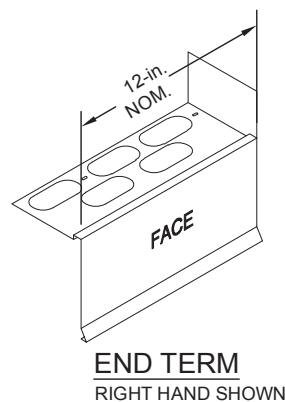
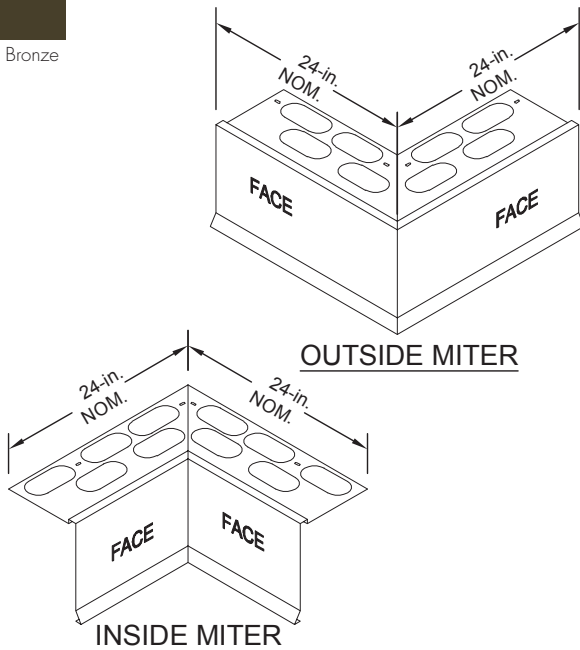
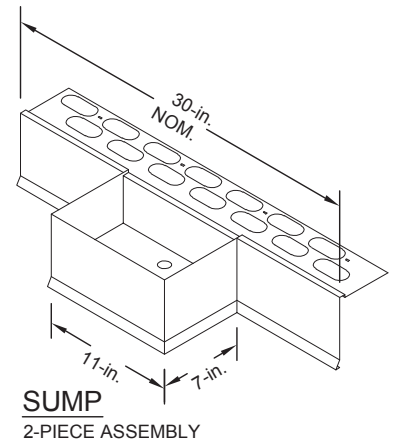
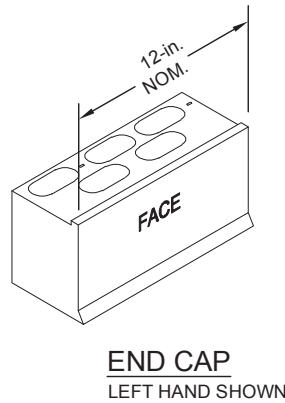
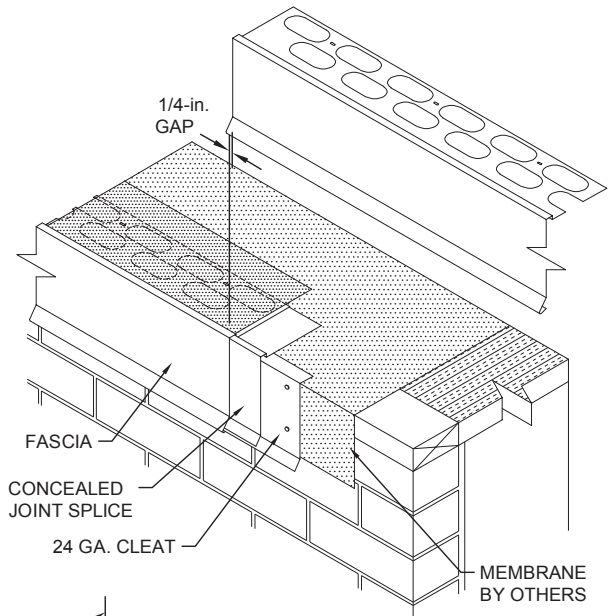




# M-Weld Gravel Stop MB Fascia Type B

For Built-Up  
and Modified Roofs

## STANDARD COLORS - Other Colors Available



Standard coping miter leg lengths are 24-in. Nominal  
Standard fascia miter angle is 90°  
For special miter requirements, attach sketches or consult manufacturer for assistance.