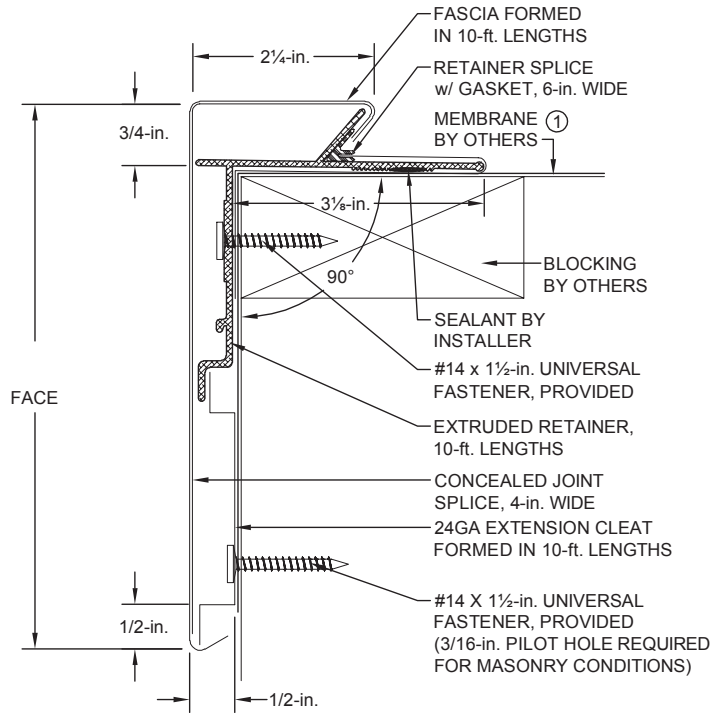


M-Weld EZ Fascia EX Extender

Retainer with Extension for
Non-Standard Sizes in BUR
and Mod Bit Applications

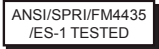

Order Specification Form



① Coordinate installation with membrane manufacturer.

QUANTITY	CAP MATERIAL	THICKNESS	COLORS	CAP FINISH
<input type="checkbox"/> Total LF <input type="checkbox"/> Miters (<input type="checkbox"/> Outside, <input type="checkbox"/> Inside) <input type="checkbox"/> End Caps (<input type="checkbox"/> Left, <input type="checkbox"/> Right) <input type="checkbox"/> End Terms (<input type="checkbox"/> Left, <input type="checkbox"/> Right) <input type="checkbox"/> Radius LF (Notched) <input type="checkbox"/> Vaulted LF (Welded) <input type="checkbox"/> Sumps <input type="checkbox"/> Spill Outs <input type="checkbox"/> Special Corners (Attach Sketches)	<input type="checkbox"/> Aluminum <input type="checkbox"/> Galvanized <input type="checkbox"/> Stainless Steel <input type="checkbox"/> _____ MODEL / FACE <input type="checkbox"/> _____ (Minimum size is 5.5-in.)	<input type="checkbox"/> 0.040 <input type="checkbox"/> 0.050 <input type="checkbox"/> 0.063 <input type="checkbox"/> 24GA <input type="checkbox"/> 22GA <input type="checkbox"/> _____ ACCESSORY TYPE <input type="checkbox"/> Folded	<input type="checkbox"/> Statuary Bronze (A-01) <input type="checkbox"/> Concord Cream (A-02) <input type="checkbox"/> Medium Bronze (A-05) <input type="checkbox"/> Sandstone (A-06) <input type="checkbox"/> Dove Gray (A-09) <input type="checkbox"/> Shale Gray (A-20) <input type="checkbox"/> Bone White (A-23) <input type="checkbox"/> Sierra Tan (A-26) <input type="checkbox"/> _____	<input type="checkbox"/> Mill Finish <input type="checkbox"/> Prefinished Kynar <input type="checkbox"/> Post Finished Kynar <input type="checkbox"/> Prefinished Anodized <input type="checkbox"/> Post Finished Anodized <input type="checkbox"/> _____

0.063 prefinished Kynar® is only available in Statuary Bronze, Medium Bronze, Sandstone, Dove Gray, Ascot White, Forest Green & Bone White
22-ga. covers only available in colors Statuary Bronze, Medium Bronze, Forest Green, Bone White and Shale Gray

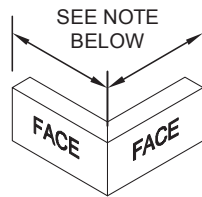
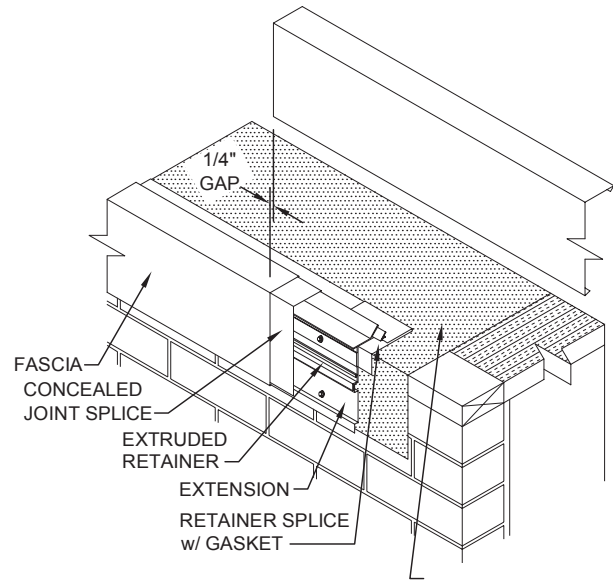
APPROVALS: Contact manufacturer for verification of test report data on your project.		CUSTOMER APPROVAL	
 		<input type="checkbox"/> Approved for Fabrication <input type="checkbox"/> Approved with Changes <input type="checkbox"/> Not Approved	
		Authorized Customer Signature _____ Title _____ Date _____	
Job Name:	Customer:	By:	
Job #:	Representative:	Date:	
Location:	Architect:	Sheet of	



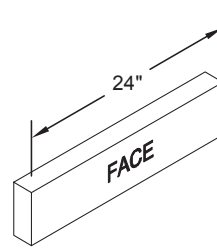
M-Weld EZ Fascia EX Extender

Retainer with Extension for
Non-Standard Sizes in BUR
and Mod Bit Applications

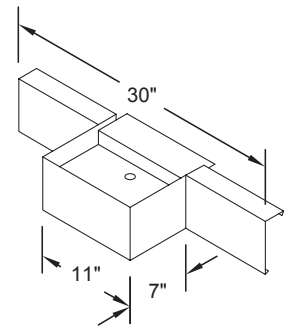
STANDARD COLORS - Other Colors Available



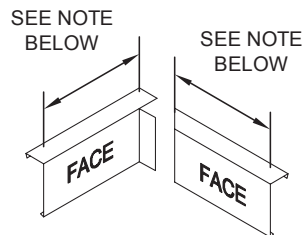
OUTSIDE MITER



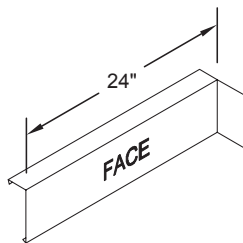
END CAP
LEFT HAND SHOWN



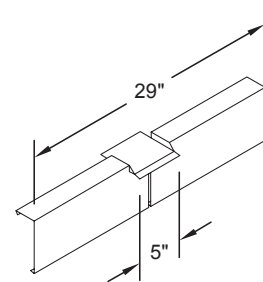
SUMP
2 PIECE ASSEMBLY



INSIDE MITER
2 PIECE ASSEMBLY



END TERM
RIGHT HAND SHOWN



SPILLOUT
3 PIECE ASSEMBLY

Standard fascia miter leg lengths: 12-in. nominal
Standard fascia miter angle is 90°
For special miter requirements, attach sketches or consult manufacturer for assistance.