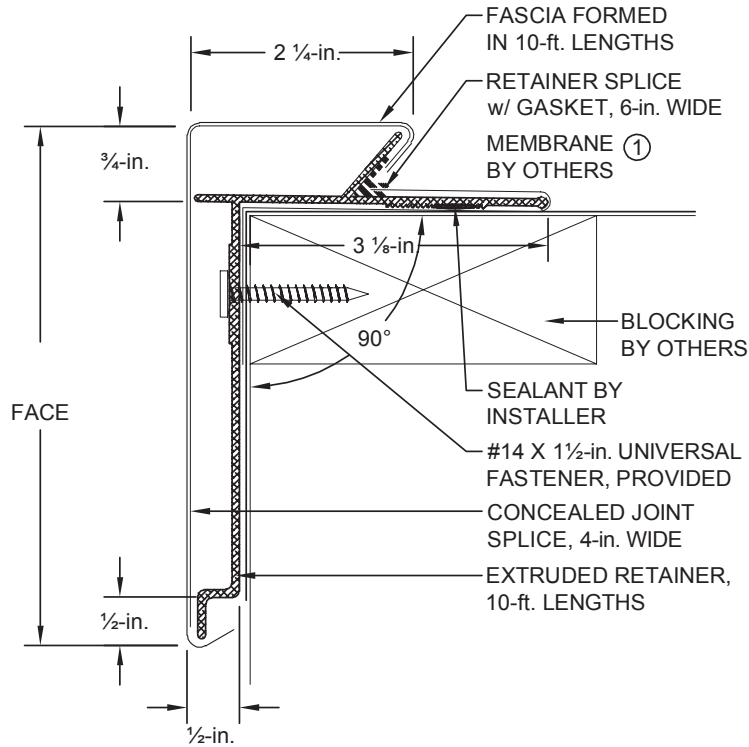


M-Weld EZ Fascia EX

Extruded Aluminum Retainer For Mod Bit

Order Specification Form



① Coordinate installation with membrane manufacturer.

QUANTITY	CAP MATERIAL	THICKNESS	COLORS	CAP FINISH
_____ Total LF _____ Miters (____ Outside, ____ Inside) _____ End Caps (____ Left, ____ Right) _____ End Terms (____ Left, ____ Right) _____ Radius LF (Notched) _____ Vaulted LF (Welded) _____ Sumps _____ Spill Outs _____ Special Corners (Attach Sketches)	<input type="checkbox"/> Aluminum <input type="checkbox"/> Galvanized <input type="checkbox"/> Stainless Steel <input type="checkbox"/> _____ MODEL / FACE <input type="checkbox"/> 375 <input type="checkbox"/> 675 <input type="checkbox"/> 525 <input type="checkbox"/> 825	<input type="checkbox"/> 0.040 <input type="checkbox"/> 0.050 <input type="checkbox"/> 0.063 <input type="checkbox"/> 24GA <input type="checkbox"/> 22GA <input type="checkbox"/> _____ ACCESSORY TYPE <input type="checkbox"/> Folded	<input type="checkbox"/> Statuary Bronze (A-01) <input type="checkbox"/> Concord Cream (A-02) <input type="checkbox"/> Medium Bronze (A-05) <input type="checkbox"/> Sandstone (A-06) <input type="checkbox"/> Dove Gray (A-09) <input type="checkbox"/> Shale Gray (A-20) <input type="checkbox"/> Bone White (A-23) <input type="checkbox"/> Sierra Tan (A-26) <input type="checkbox"/> _____	<input type="checkbox"/> Mill Finish <input type="checkbox"/> Prefinished Kynar <input type="checkbox"/> Post Finished Kynar <input type="checkbox"/> Prefinished Anodized <input type="checkbox"/> Post Finished Anodized <input type="checkbox"/> _____

0.063 prefinished Kynar® is only available in Statuary Bronze, Medium Bronze, Sandstone, Dove Gray, Ascot White, Forest Green & Bone White
 22-ga. covers only available in colors Statuary Bronze, Medium Bronze, Forest Green, Bone White and Shale Gray

APPROVALS: Contact manufacturer for verification of test report data on your project.

ANSI/SPRI/FM4435
/ES-1 TESTED



CUSTOMER APPROVAL

- Approved for Fabrication
 Approved with Changes
 Not Approved

Authorized Customer Signature _____

Title _____ Date _____

Job Name: _____

Customer: _____

By: _____

Job #: _____

Representative: _____

Date: _____

Location: _____

Architect: _____

Sheet of _____

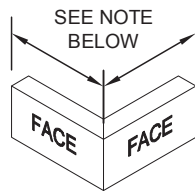
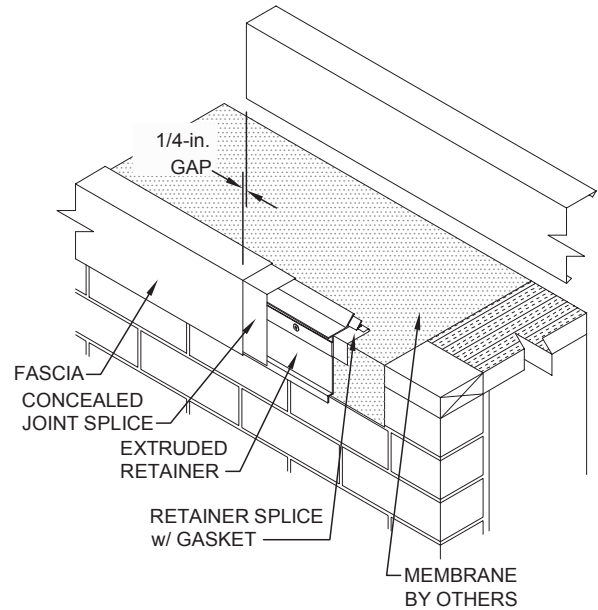


M-Weld EZ Fascia EX

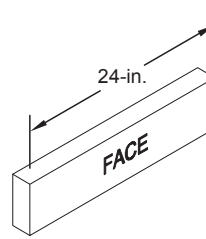
Extruded Aluminum Retainer For Mod Bit

STANDARD COLORS - Other Colors Available

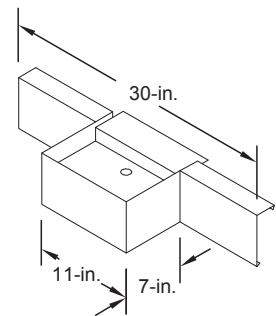
Ascot White	Bone White	Dove Gray	Silversmith	Shale Gray
Rocky Gray	Sandstone	Champagne	Titanium	Charcoal Gray
Concord Cream	Rawhide	Sierra Tan	Coppertone	Mission Red
Bright Red	Redwood	Boysenberry	Chocolate Brown	Antique Patina
Siam Blue	Slate Blue	Turquoise	Regal Blue	Statuary Bronze
Black	Hemlock Green	Patina Green	Forest Green	Hartford Green
Medium Bronze				



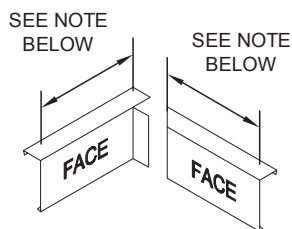
OUTSIDE MITER



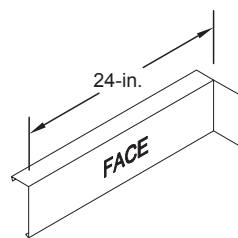
END CAP
LEFT HAND SHOWN



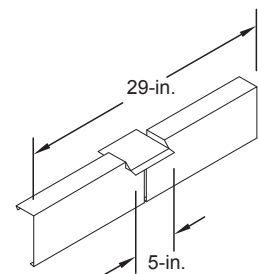
SUMP
2 PIECE ASSEMBLY



INSIDE MITER
2 PIECE ASSEMBLY



END TERM
RIGHT HAND SHOWN



SPILLOUT
3 PIECE ASSEMBLY

Standard fascia miter leg lengths: 12-in. nominal

Standard fascia miter angle is 90°

For special miter requirements, attach sketches or consult manufacturer for assistance.