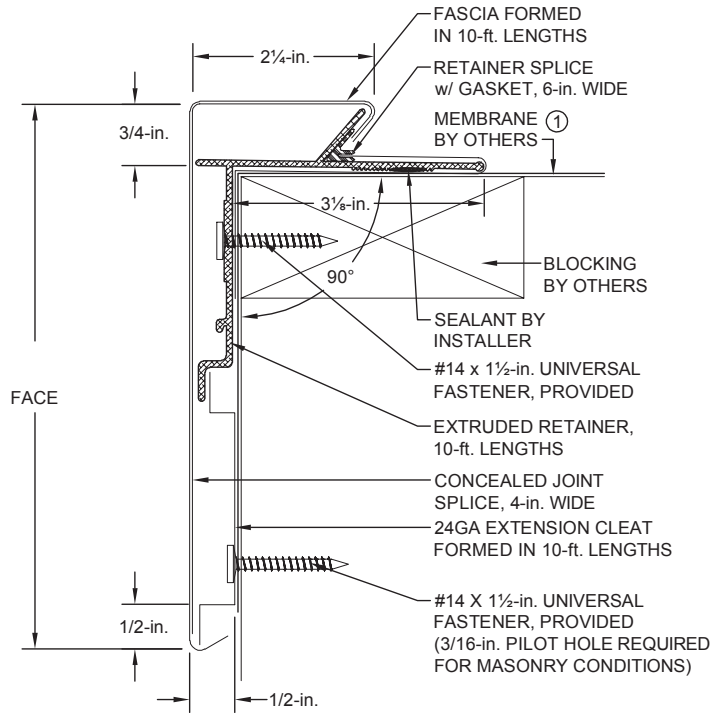


# M-Weld EZ Fascia EX Extender

Retainer with Extension for  
Non-Standard Sizes in BUR  
and Mod Bit Applications

## Order Specification Form

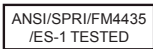


① Coordinate installation with membrane manufacturer.

QUANTITY	CAP MATERIAL	THICKNESS	COLORS	CAP FINISH
_____ Total LF _____ Miters (____Outside, ____Inside) _____ End Caps (____Left, ____Right) _____ End Terms (____Left, ____Right) _____ Radius LF (Notched) _____ Vaulted LF (Welded) _____ Sumps _____ Spill Outs _____ Special Corners (Attach Sketches)	<input type="checkbox"/> Aluminum <input type="checkbox"/> Galvanized <input type="checkbox"/> Stainless Steel <input type="checkbox"/> _____ <b>MODEL / FACE</b> <input type="checkbox"/> _____ (Minimum size is 5.5-in.)	<input type="checkbox"/> 0.040 <input type="checkbox"/> 0.050 <input type="checkbox"/> 0.063 <input type="checkbox"/> 24GA <input type="checkbox"/> 22GA <input type="checkbox"/> _____ <b>ACCESSORY TYPE</b> <input type="checkbox"/> Folded	<input type="checkbox"/> Statuary Bronze (A-01) <input type="checkbox"/> Concord Cream (A-02) <input type="checkbox"/> Medium Bronze (A-05) <input type="checkbox"/> Sandstone (A-06) <input type="checkbox"/> Dove Gray (A-09) <input type="checkbox"/> Shale Gray (A-20) <input type="checkbox"/> Bone White (A-23) <input type="checkbox"/> Sierra Tan (A-26) <input type="checkbox"/> _____	<input type="checkbox"/> Mill Finish <input type="checkbox"/> Prefinished Kynar <input type="checkbox"/> Post Finished Kynar <input type="checkbox"/> Prefinished Anodized <input type="checkbox"/> Post Finished Anodized <input type="checkbox"/> _____

0.063 prefinished Kynar® is only available in Statuary Bronze, Medium Bronze, Sandstone, Dove Gray, Ascot White, Forest Green & Bone White  
22-ga. covers only available in colors Statuary Bronze, Medium Bronze, Forest Green, Bone White and Shale Gray

APPROVALS: Contact manufacturer for verification of test report data on your project.



### CUSTOMER APPROVAL

- Approved for Fabrication  
 Approved with Changes  
 Not Approved

Authorized Customer Signature \_\_\_\_\_

Title \_\_\_\_\_ Date \_\_\_\_\_

Job Name: \_\_\_\_\_

Customer: \_\_\_\_\_

By: \_\_\_\_\_

Job #: \_\_\_\_\_

Representative: \_\_\_\_\_

Date: \_\_\_\_\_

Location: \_\_\_\_\_

Architect: \_\_\_\_\_

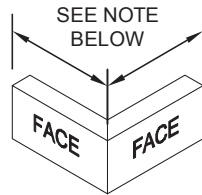
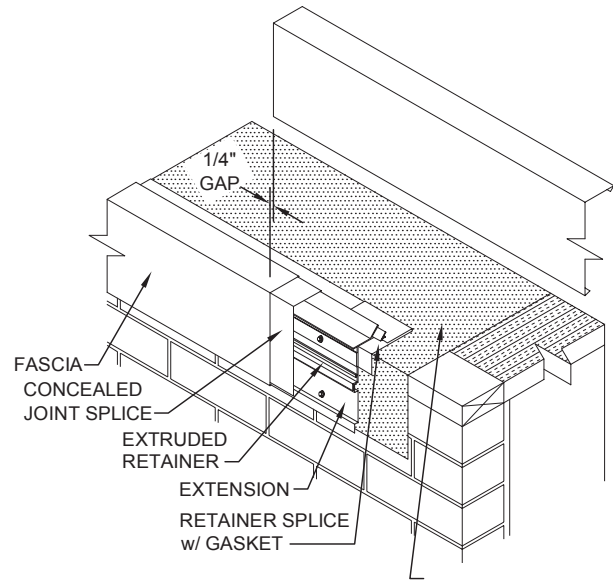
Sheet of \_\_\_\_\_



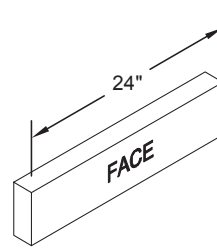
# M-Weld EZ Fascia EX Extender

Retainer with Extension for  
Non-Standard Sizes in BUR  
and Mod Bit Applications

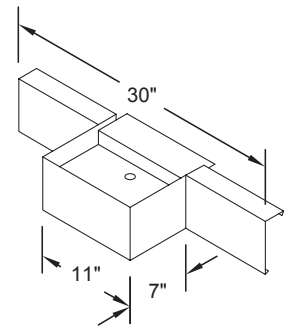
## STANDARD COLORS - Other Colors Available



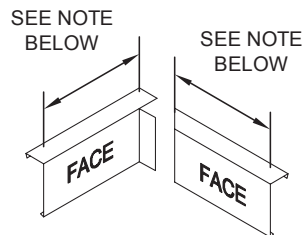
**OUTSIDE MITER**



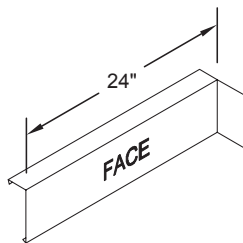
**END CAP**  
LEFT HAND SHOWN



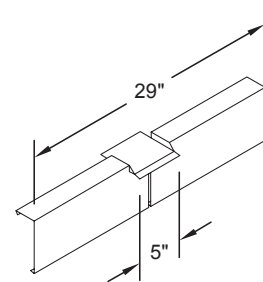
**SUMP**  
2 PIECE ASSEMBLY



**INSIDE MITER**  
2 PIECE ASSEMBLY



**END TERM**  
RIGHT HAND SHOWN



**SPILLOUT**  
3 PIECE ASSEMBLY

Standard fascia miter leg lengths: 12-in. nominal  
Standard fascia miter angle is 90°  
For special miter requirements, attach sketches or consult manufacturer for assistance.