

Installation Guide for M-Weld Snap-On Coping & M-Weld Snap-On Coping Plus

Snap-On Coping with Intermittent Clips

1 CAMPUS DRIVE, PARSIPPANY, NJ 07054 USA
973-628-3000
WWW.GAF.COM



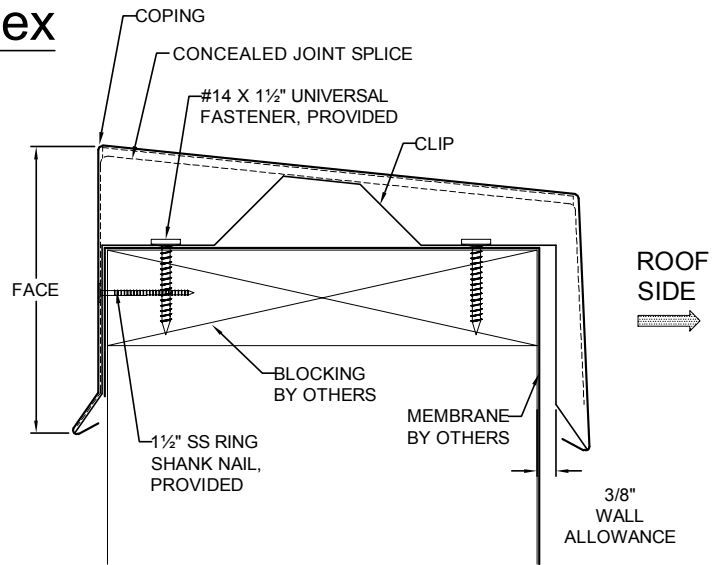
Installation Guide for M-Weld Snap-On Coping & M-Weld Snap-On Coping Plus

ANSI/SPRI/FM4435
/ES-1 TESTED



Installation Guide Index

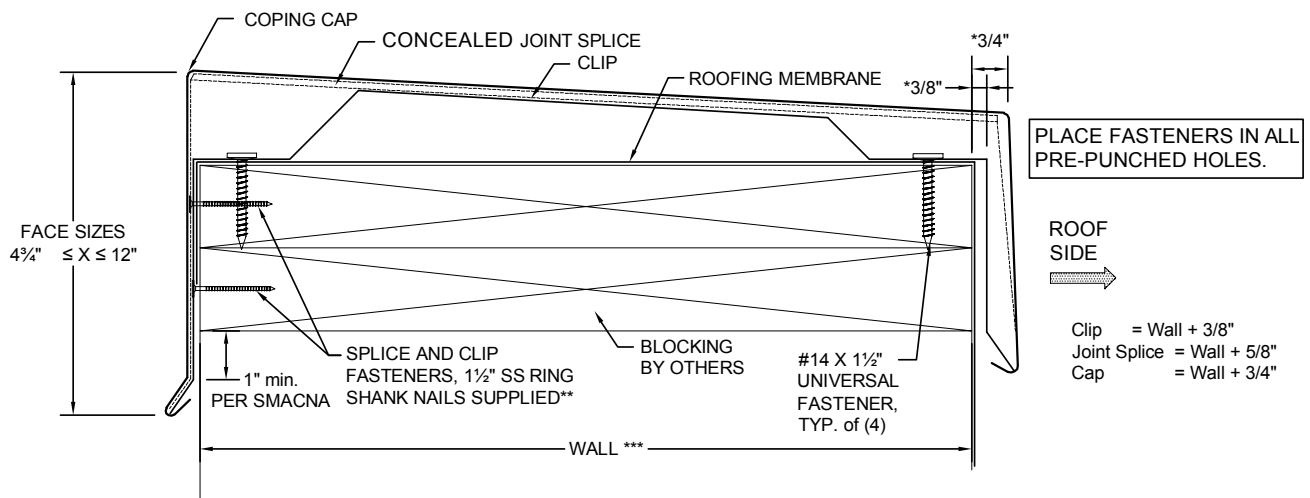
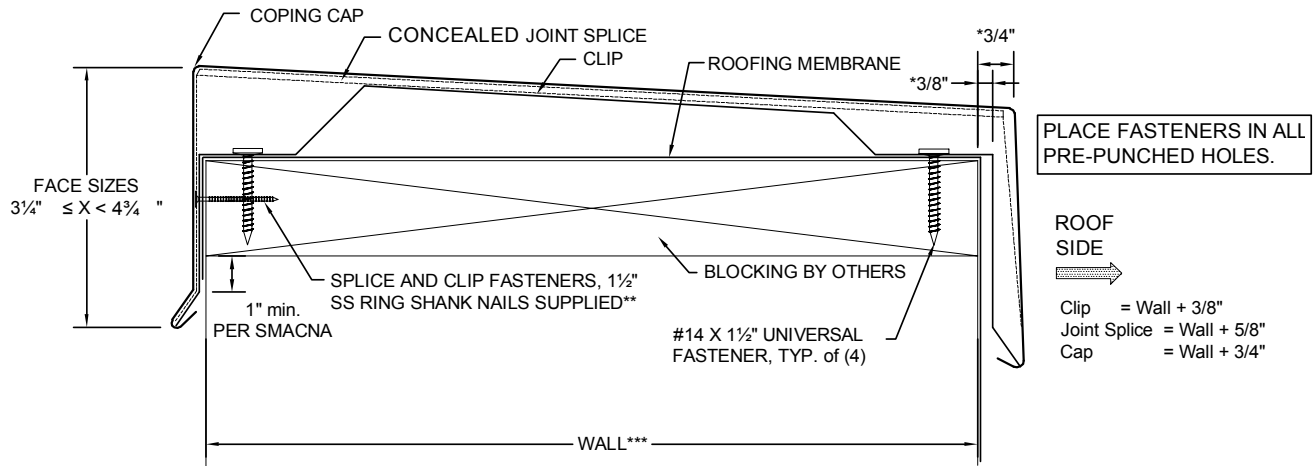
- General Information
- Coping Diagrams
- Straight Parapet Installation
- Radius Parapet Installation
- Vaulted Parapet Installation
- Special Condition Installation



NOTES:

- #1 - Isolate all metal parts from ACQ treated wood or other galvanically incompatible material with appropriate membrane material.
- #2 - Appliance attachments, such as lightning rods, signs, or antennae that penetrate the water seal, induce a galvanic reaction, or otherwise compromise the effectiveness of the roof edge system, shall be eliminated or isolated to prevent problems per section 8.0 of ANSI/SPRI/FM4435/ES-1. Appliances shall be isolated from or not attached to the roof edge system. Consult the lightning protection system manufacturer for specific attachment instructions.

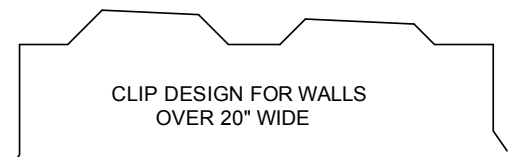
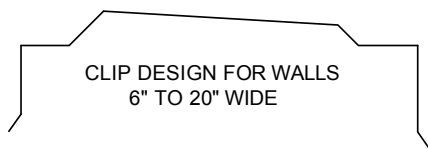
**DO NOT USE SEALANT
AT JOINT SPLICES**



*DIMENSION WILL VARY WITH WALL WIDTH VARIATION

** 4 TOTAL NAILS REQUIRED FOR SECUREMENT ONTO BUILDING,
CONTACT OMG EDGESYSTEMS WHEN SUBSTRATE IS OTHER THAN WOOD

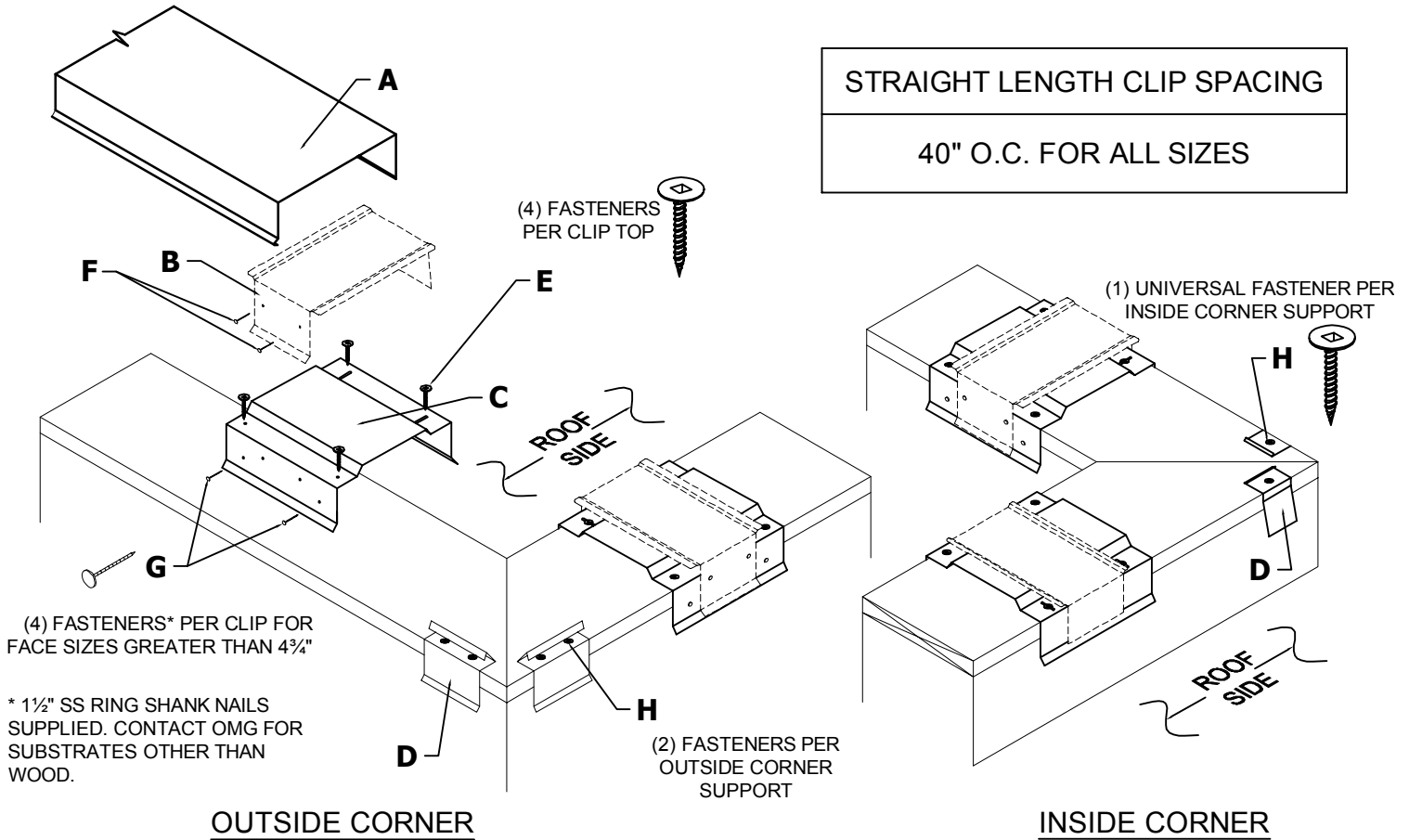
*** SEE PROFILES BELOW FOR VARYING CLIP PROFILES DUE TO WALL SIZE



DO NOT USE SEALANT
AT JOINT SPLICES

STRAIGHT LENGTH CLIP SPACING

40" O.C. FOR ALL SIZES



A. Formed Coping Cap

10-ft. Lengths

B. 6-in. Wide Concealed Joint Splice

One (1) at Each Clip Location

C. 12-in. Wide Galv. Steel Clips

Spaced @ 40-in. O.C.

D. Corner Supports (Inside & Outside)

Used to Support Outside and Inside Miters

E. #14 x 1½-in. Universal Fasteners

Four (4) Per Clip Top
(Included & Required)

F. Splice Fasteners

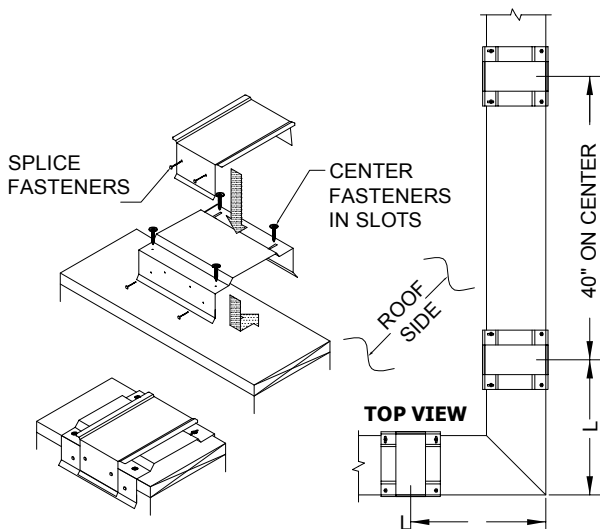
1½-in. SS Ring Shank Nails Supplied
Two (2) Per FACE (Included & Required)

G. Clip Fasteners

1½-in. SS Ring Shank Nails Supplied
Two (2) Per FACE (Included & Required)

H. Corner Support Fasteners

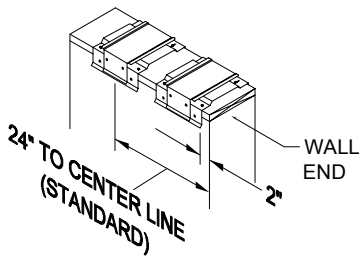
Two (2) #14 x 1½-in. Universal Fasteners
Per Outside Corner Support
(Included & Required)
One (1) #14 X 1½-in. Universal Fasteners
Per Inside Corner Support
(Included & Required)



L=23 1/4-in. - for wall widths ≤ 16-in. wide
 L=29 1/4-in. - for wall widths > 16-in. and ≤ 23-in. wide
 L=custom for wall widths > 23-in. wide

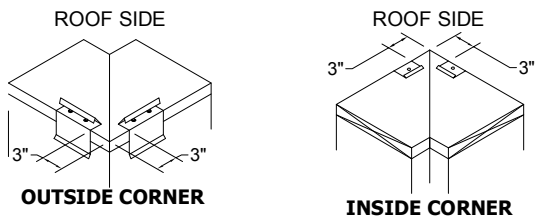
STEP 1: Installing Clips at Corners & Along the Parapet

Locate all clips @ 40-in. on center. Pull clips snugly against the outside face. Place four (4) # 14 x 1½-in. Universal fasteners in the top of the clip. Position the joint splice over the center of the clip aligning the middle two holes, secure using two (2) 1½-in. ss ring shank nails through the splice and into the substrate. Secure the main clip face with two additional 1½-in. ss ring shank nails into the substrate. **Joint splices should be installed at ALL clip locations.**



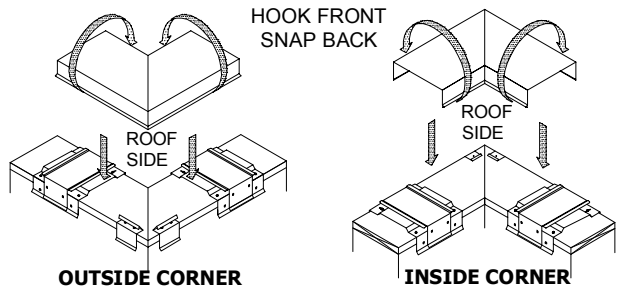
STEP 2: Installing Clips at Wall Ends

Install the first clip approximately 2-in. from the wall end as shown. Install the second clip 24-in. on center from the wall end. (If end cap leg is other than 24-in. adjust clip placement accordingly)



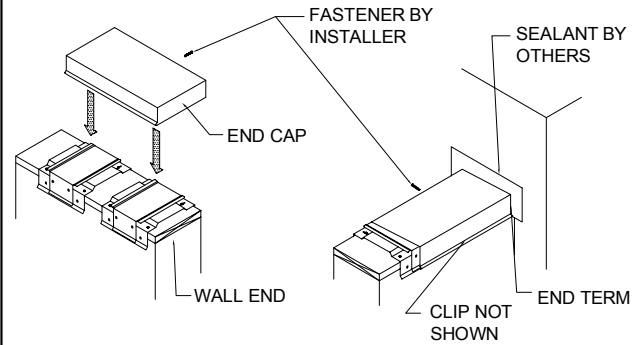
STEP 3: Installing Corner Supports

Two (2) corner supports are to be placed at all corners to support the cap. Set each clip away from the corner approximately 3-in. Secure outside corner support clips using #14 x 1½-in. Universal fasteners and the inside corner support clips using a #14 x 1½-in. Universal fastener.



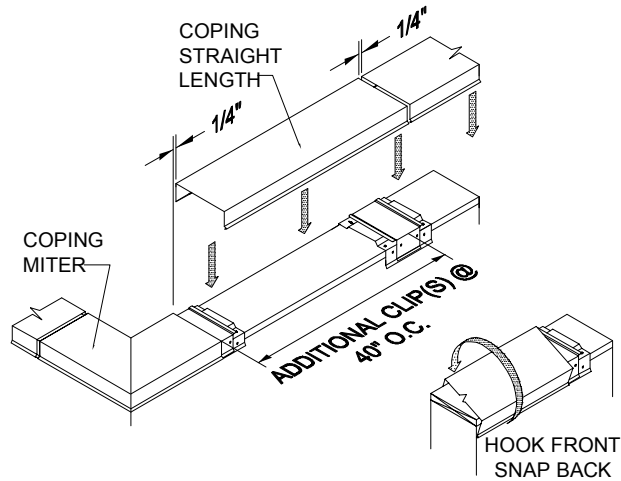
STEP 4: Installing Coping Mitters

Hook the face of the coping miter over the outside face leg of the clips, rotate the coping miter over the top of the clips and snap the back leg by pressing down until the hook snaps into place (Run fingers on the underside to ensure a static engagement is present).



STEP 5: Installing End Caps and End Terms

Install end caps and end terms by hooking face and snapping back into place. End Caps and End Terms must be restrained from moving by securing the end cap/term to the clip using a fastener (by installer) through the back leg of the end cap/term.

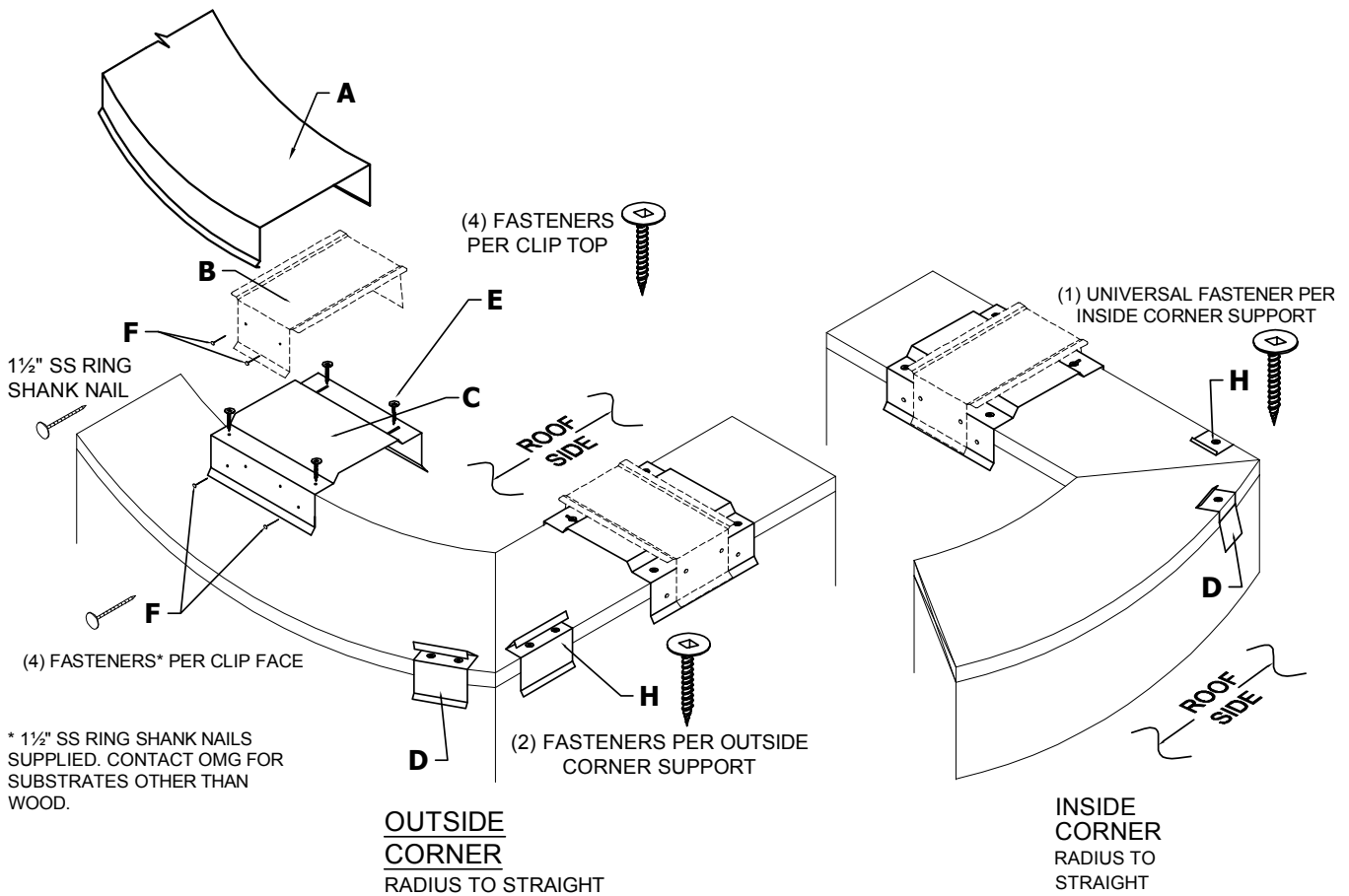


STEP 6: Installing Coping Straight Lengths

Begin installing from the corners and end conditions working inward to the center. **Allow a 1/4-in. gap between the coping sections for thermal expansion.** Review lengths of all straight pieces prior to cutting to avoid creating relatively short sections of caps adjacent to full length sections. There should be a clip and joint splice at least every 40-in. O.C. and at every joint. Every fifth (5th) 10-foot section of coping should be secured to the clip using a single fastener (by installer [same procedure as STEP 5]) to isolate movement within a containment zone.

**DO NOT USE SEALANT
AT JOINT SPLICES**

RADIUS CLIP SPACING
30-in. O.C. FOR ALL SIZES



A. Radius Coping Cap

60-ft. Lengths Typ. (Lengths May Vary)

B. 6-in. Wide Concealed Joint Splice

One (1) at Each Clip Location

C. 6-in. Wide Galv. Steel Clip

Spaced @ 30-in. on center

D. Corner Supports (Inside & Outside)

Used to Support Outside and Inside Corners

E. #14 x 1½-in. Universal Fasteners

Four (4) Per Clip Top
(Included & Required)

F. Splice Fasteners

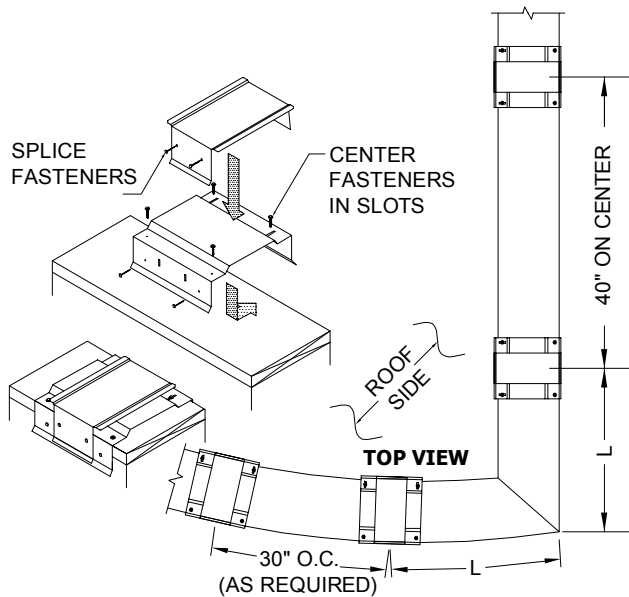
1½-in. SS Ring Shank Nails Supplied
Two (2) Per FACE (Included & Required)

G. Clip Fasteners

1½-in. SS Ring Shank Nails Supplied
Two (2) Per FACE (Included & Required)

H. Corner Support Fasteners

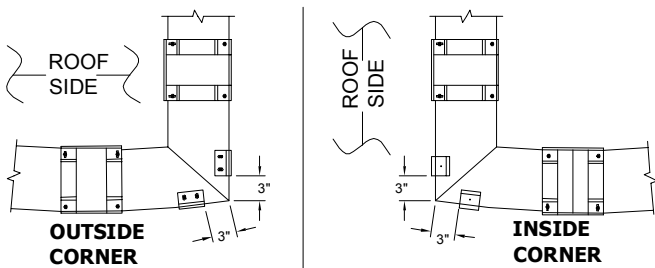
Two (2) #14 x 1½-in. Universal Fasteners
Per Outside Corner Support
(Included & Required)
One (1) #14 X 1½-in. Universal Fasteners
Per Inside Corner Support
(Included & Required)



L=23 1/4-in. - for wall widths ≤ 16-in. wide
 L=29 1/4-in. - for wall widths > 16-in. and ≤ 23-in. wide
 L=custom for wall widths > 23-in. wide

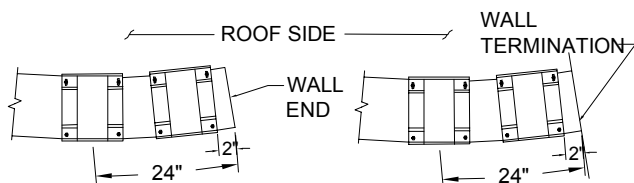
STEP 1: Installing Clips at Corners & Along the Parapet

Locate all clips @ 30-in. on center. Pull clips snugly against the outside face. Place four (4) # 14 x 1 1/2-in. Universal fasteners in the top of the clip. Position the joint splice over the center of the clip aligning the middle two holes, secure using two (2) 1 1/2-in. ss ring shank nails through the splice and into the substrate. Secure the main clip face with two additional 1 1/2-in. ss ring shank nails into the substrate. **Joint splices should be installed at ALL clip locations.**



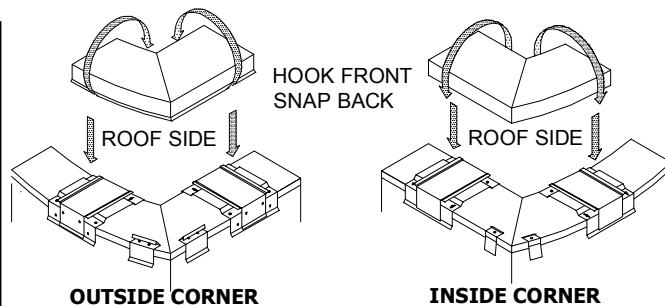
STEP 2: Installing Corner Supports

Two (2) corner supports are to be placed at all corners to support the cap. Set each clip away from the corner approximately 3-in. Secure outside corner support clips using #14 x 1 1/2-in. Universal fasteners and the inside corner support clips using #14 x 1-1/2-in. Universal fasteners.



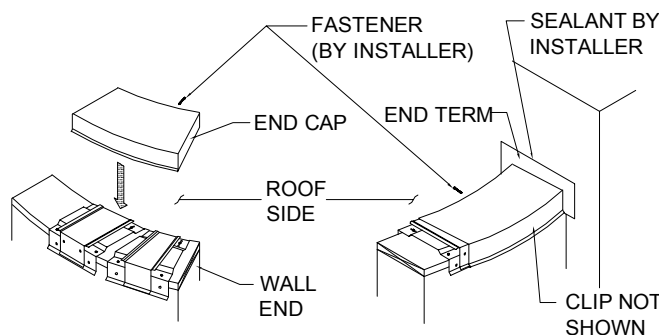
STEP 3: Installing Anchor Clips at Wall Ends

Install the first clip approximately 2-in. from the wall end as shown. Install the second clip 24-in. on center from the wall end. (If end cap leg is other than 24-in. adjust clip placement accordingly.)



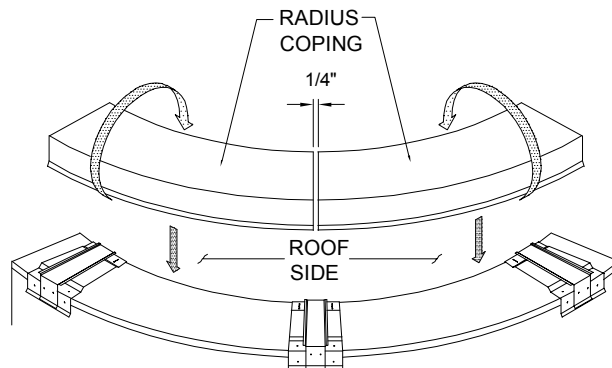
STEP 4: Installing Coping Miters

Hook the face of the coping miter over the outside face leg of the clips, rotate the coping miter over the top of the clips and snap the back leg by pressing down until the hook snaps into place (Run fingers on the underside to ensure a static engagement is present).



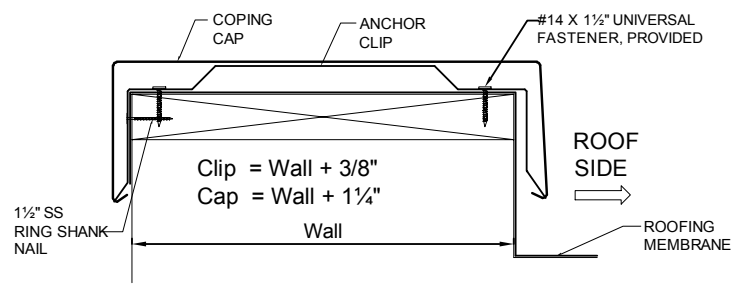
STEP 5: Installing End Caps and End Terms

Install end caps and end terms by hooking face and snapping back into place. End Caps and End Terms must be restrained from moving by securing the end cap/term to the clip using a fastener (by installer) through the back leg of the end cap/term.

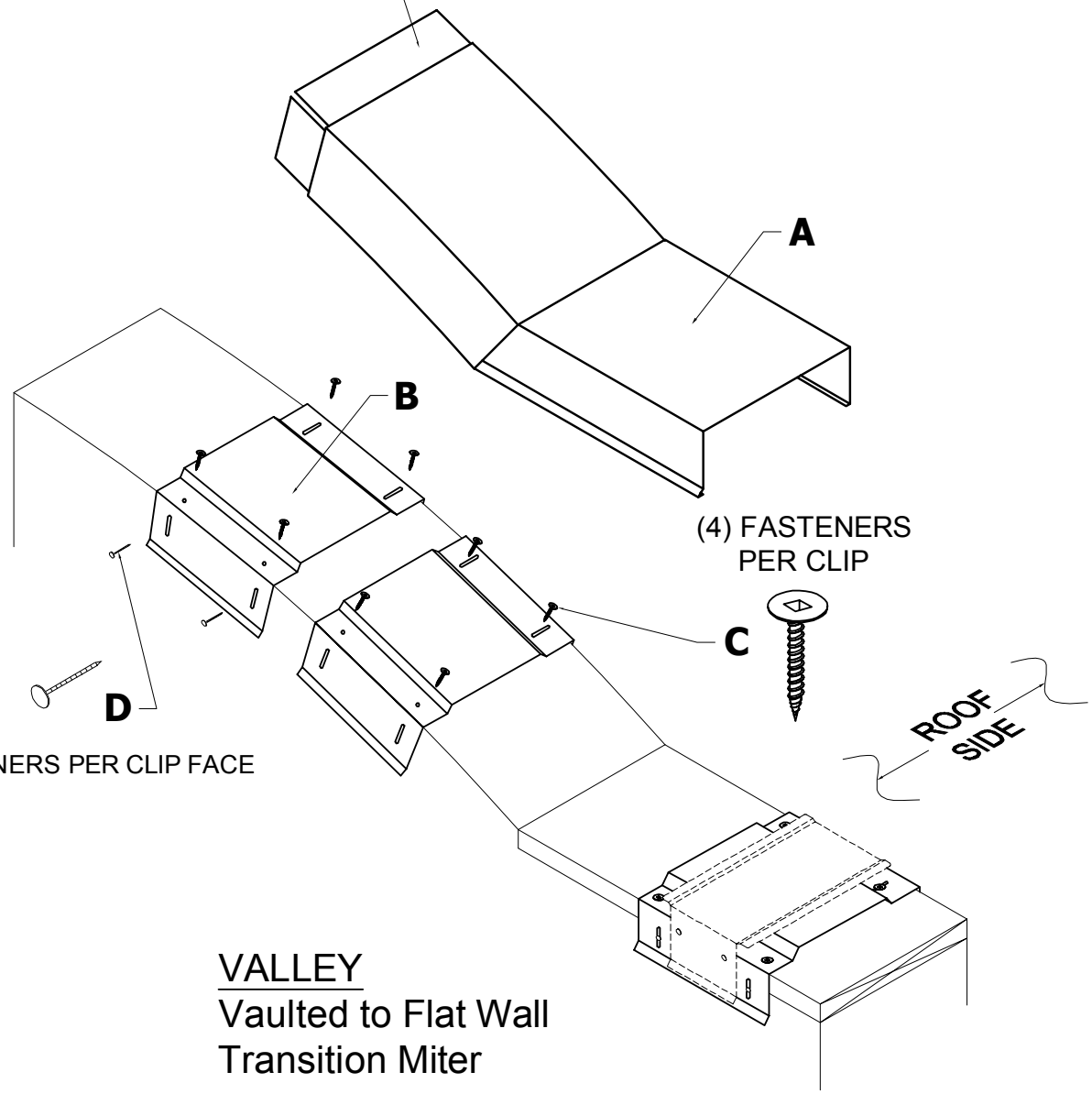


STEP 6: Installing Radius Coping Lengths

Begin installing from the corners and end conditions working inward to the center. **Allow a 1/4-in. gap between coping sections for thermal expansion.** Review lengths of all straight pieces prior to cutting to avoid creating relatively short sections of caps adjacent to full length sections. There should be a clip and joint splice at least every 30-in. O.C. and at every joint. Every fifth (5th) 5-foot section of coping should be secured to the clip using a single fastener (by installer [same procedure as STEP 5]) to isolate movement within a containment zone.



OFFSET

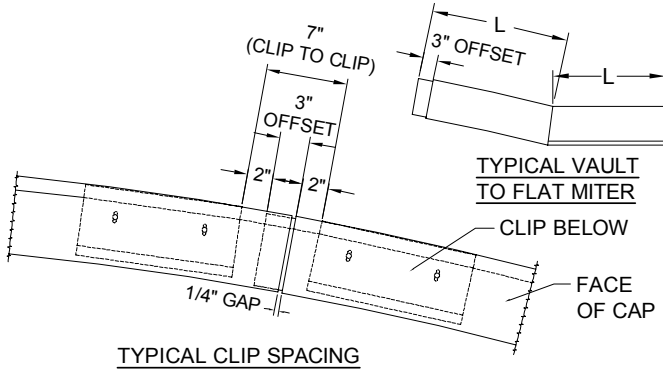
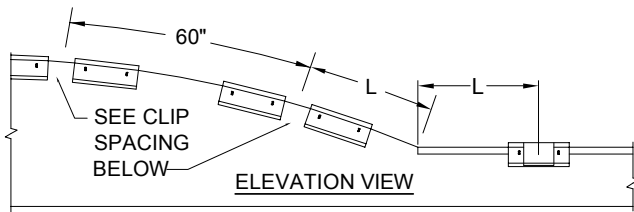
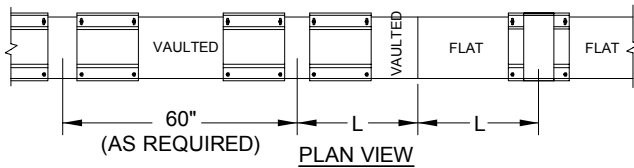


VALLEY
 Vaulted to Flat Wall
 Transition Miter

- A. Vaulted Coping Cap**
 60-in. Lengths Typ. (Lengths May Vary)
- B. Galvanized Steel Clip**
 6-in. Wide
 (Spacing on next page)

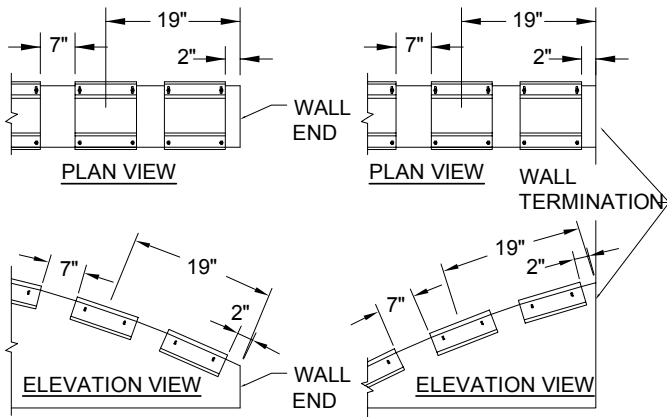
- C. #14 x 1-1/2-in. Universal Fastener**
 Four (4) Per Clip
 Two (2) Per Outside Corner Support
 (Included & Required)
 One (1) Per Inside Corner Support
 (Included & Required)

- D. 1-1/2-in. SS Ring Shank Nail**
 Two (2) Per Clip Face



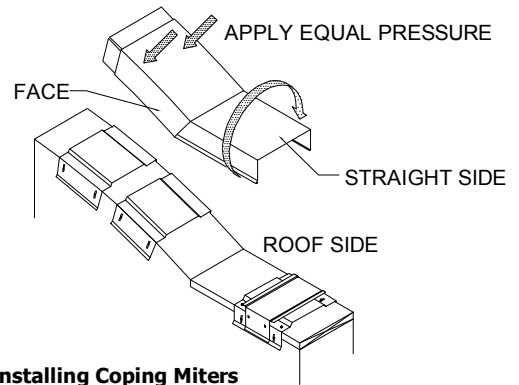
STEP 1: Installing Clips at Valleys & Along the Parapet

Locate clips as shown. Pull clips snugly against the outside face. Place four (4) screw fasteners in the top of the clip with fasteners centered in slots. Place two (2) ss ring shank nails in the clip face if face is $\geq 3/4$ -in. DO NOT place clip at joint locations, see diagrams above to determine clip locations. (L = 24-in. Typical Leg Lengths)



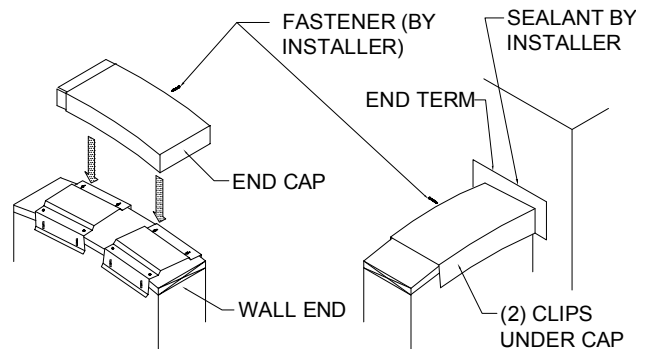
STEP 2: Installing Clips at Wall Ends

Install the first clip approximately 2-in. from the wall end as shown. Install the second clip 19-in. on center from the wall end. DO NOT place second clip at joint location. (If end cap leg is other than 30-in. adjust clip placement accordingly.) Install third clip 7-in. from second as shown above.



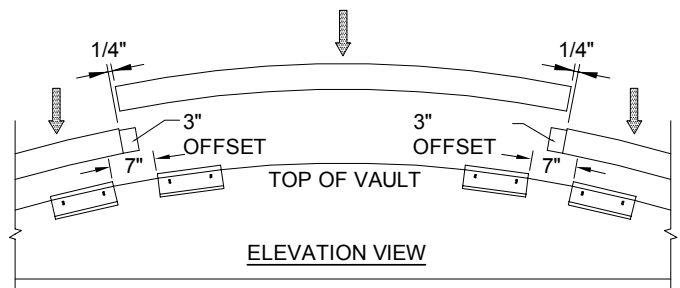
STEP 3 : Installing Coping Miters

Hook the face of the coping miter over the outside face leg of the clips, rotate the coping miter over the top of the clips and snap the back leg by pressing down until the hook snaps into place. Additionally apply equal pressure to front and back of coping to get proper engagement onto clips. (Run fingers on the underside to ensure a static engagement is present).



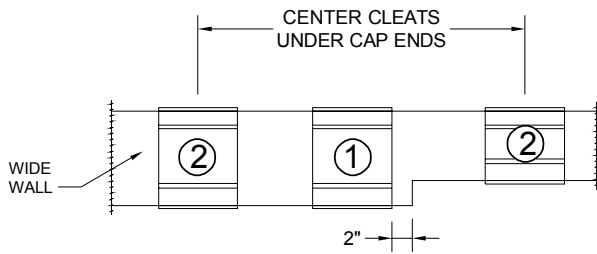
STEP 4: Installing End Caps and End Terms

Install end caps and end terms by placing the cap in the correct location over the clips. Apply even pressure on both legs of the cap until both legs are fully engaged on clips. End caps/terms must be restrained from moving by securing the end cap/term to the clip using a fastener (by installer) through the back leg of the end cap/term.



STEP 5: Installing Vaulted Coping Lengths

Begin installing from the valleys and the lower most part of the vaults at the wall ends working toward the upper/top of the vault. **Allow a 1/4-in. gap between the coping sections for thermal expansion.** Review lengths of all vaulted pieces prior to cutting to avoid creating relatively short sections of cap adjacent to full length sections. There should be at least (3) three anchor clips under each coping cap (Clip spacing may vary). Every fifth (5th) 5-ft. section of coping should be secured to the clip using a fastener (by installer [same procedure as STEP 4]) to isolate movement within a containment zone.

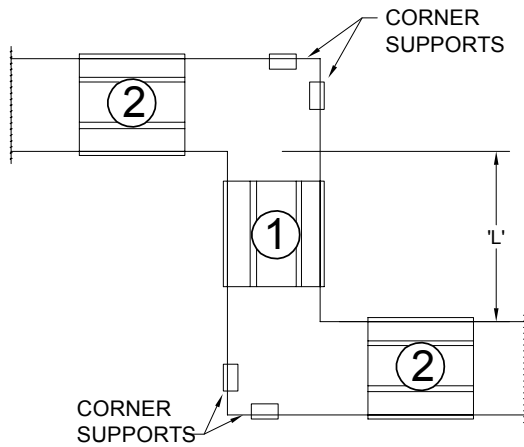


INLINE TRANSITION

NOTE: Instructions are for face leg and back leg offsets.

STEPS:

1. Install cleat ① 2-in. from offset, only if wide wall cap leg length is longer than 20-in.
2. Install cleats ② centered under cap ends.



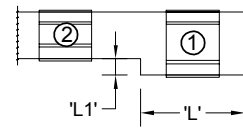
'Z' MITER

NOTE: Instructions work for face leg on either side.

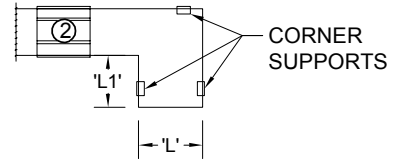
STEPS:

1. Install cleat ① only if 'L' is longer than 14-in.
2. Install cleats ② centered under cap ends.
3. Install appropriate corner supports in designated areas.

EXAMPLE 1



EXAMPLE 2



PIER END TRANSITION

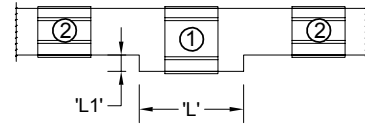
NOTE: Instructions are for face leg and back leg offsets.

STEPS:

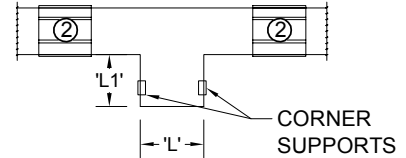
1. Install cleat ① only if 'L' is longer than 12-in. Else use corner support as shown.
2. For 'L1' cleats and corner supports, see below.
3. Install cleats ② centered under cap ends.

'L1' > 12-in.	'L1' < 12-in.
Install corner supports as shown in EXAMPLE 2	Install cleat as shown in EXAMPLE 1

EXAMPLE 1



EXAMPLE 2



PIER INLINE TRANSITION

NOTE: Instructions are for face leg and back leg offsets.

STEPS:

1. Install cleat ① only if 'L' is longer than 12-in. Else use corner support as shown.
2. For 'L1' procedures see table below.
3. Install cleats ② centered under cap ends.

'L1' > 12"	'L1' < 12"
Install corner supports as shown in EXAMPLE 2	Install cleat as shown in EXAMPLE 1