

Installation Guide for EverGuard Standard EZ Fascia EX

Extruded Aluminum Retainer for Single-Ply

1 CAMPUS DRIVE, PARSIPPANY, NJ 07054 USA
973-628-3000
WWW.GAF.COM



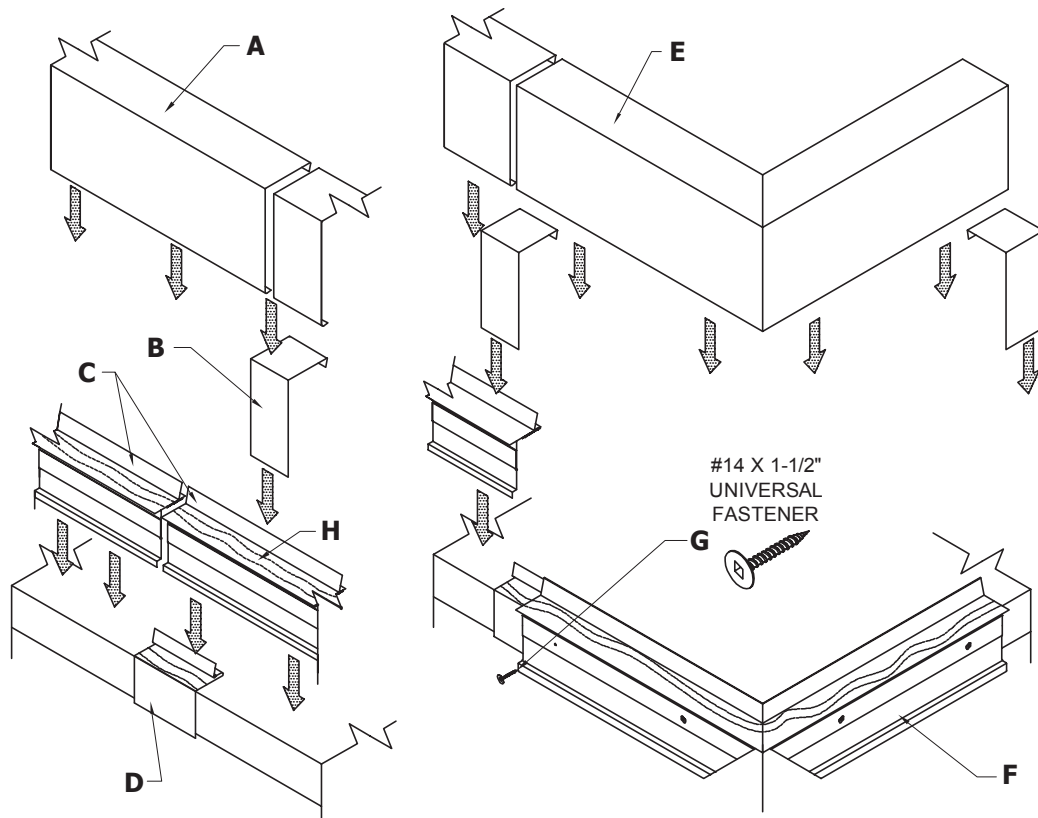
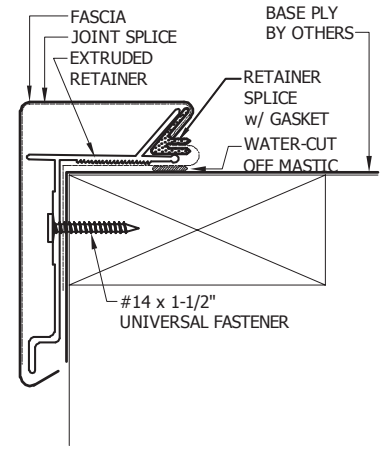
APPROVALS: Contact manufacturer for verification of test report data on your project.

ANSI/SPRI/FM4435
/ES-1 TESTED



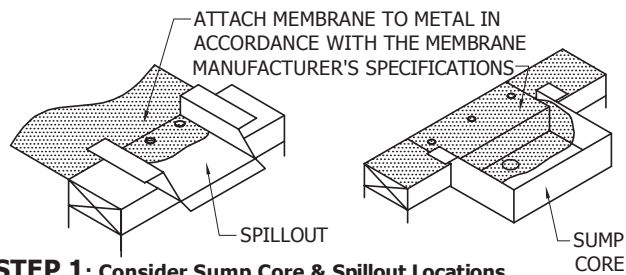
NOTES:

- #1 - Isolate all metal parts from ACQ treated wood or other galvanically incompatible material with appropriate membrane material.
- #2 - Appliance attachments, such as lightning rods, signs, or antennae that penetrate the water seal, induce a galvanic reaction, or otherwise compromise the effectiveness of the roof edge system, shall be eliminated or isolated to prevent problems per section 8.0 of ANSI/SPRI/FM4435/ES-1. Appliances shall be isolated from or not attached to the roof edge system. Consult the lightning protection system manufacturer for specific attachment instructions.



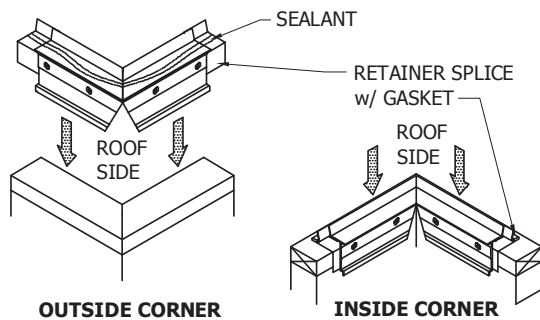
- A. Fascia Cover**
10-ft. Lengths
- B. Concealed Joint Splice**
4-in. Lengths
- C. Extruded Retainer**
10-ft. Lengths
- D. Retainer Splice With Gasket**
6-in. Lengths
- E. Fascia Miter Cover**
(Outside Corner Shown)

- F. Extruded Retainer Corner**
(Outside Corner Shown)
- G. #14 x 1½-in. Universal Fastener**
at 12-in. o.c. (6-in. from ends)
(Included & Required)
- H. Non-Hardening Sealant**
Continuous Bead of Sealant
(By Installer)



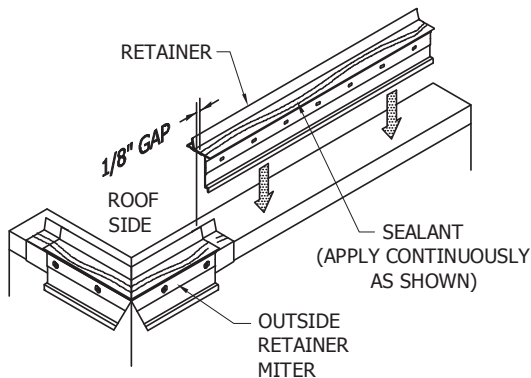
STEP 1: Consider Sump Core & Spillout Locations

Locate sump cores where downspouts will be located. Sumps are installed prior to the retainer. The retainer butts up to side(s) of sump core. Spillouts are installed along with the fascia lengths as required. Refer to "Spillout & Sump Core Install Guides" for more info on installation if necessary.



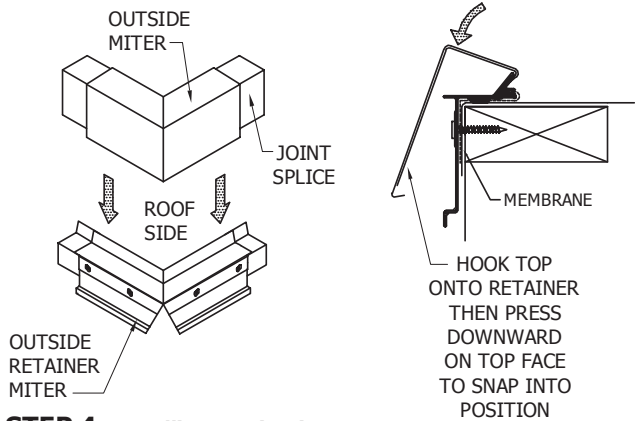
STEP 2: Installing Retainer Miters

Locate retainer miter for each corner. Apply a continuous bead of the roofing manufacturer's sealant to the bottom side of the retainer miter. Locate a retainer splice with gasket onto each end of the retainer miter. Place two screws (included) in each side of the corner support.



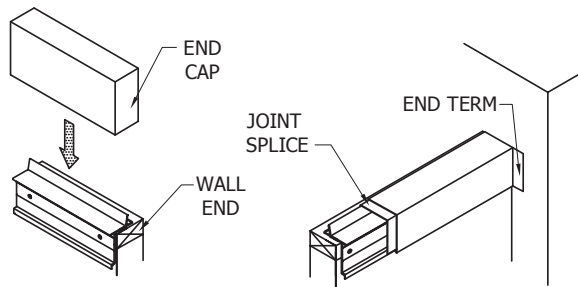
STEP 3: Installing Retainer

Apply a continuous bead of the roofing manufacturer's sealant to the bottom side of the retainer (see first page for detail view). Set the retainer onto the roof edge over membrane; install a retainer splice on end opposite of retainer miter. Attach retainer using mechanical screw fasteners (included). Install a fastener in each pre-punched hole. **Allow 1/8-in. gap between the retainer sections for thermal expansion (1/4-in. if temperature is below 40°F)**



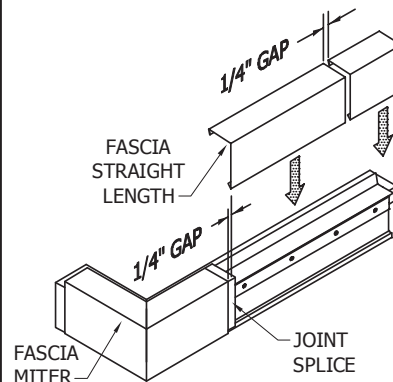
STEP 4: Installing Fascia Miters

Locate concealed joint splices in both ends of each fascia miter (as shown). Leave approximately half of the joint splice extending past the end of the miter leg. With splices inside of miter, hook the top flange of the miter onto the top flange of the retainer to engage the top. Once the top of the miter has been engaged to the top of the retainer, rotate the fascia outward towards the outside of the building and press down on the top flange of the fascia to snap the bottom hook onto the bottom of the retainer. Make sure that the hook of the fascia has fully engaged onto the retainer.



STEP 5: Installing Fascia End Caps and End Terms

Install end caps and end terms by hooking top and pressing top face downward to snap fascia into place (refer to STEP 4).



STEP 6: Installing Fascia Straight Lengths

Place a concealed joint splice in the opposite end of the installed miter or end cap. Install the fascia by hooking top and pressing top face downward to snap fascia into place. **Allow 1/4-in. gap between the fascia sections for thermal expansion.** Review lengths of all straight pieces prior to cutting to avoid creating relatively short sections of fascia adjacent to full length sections. Note: There should be a joint splice at every joint.

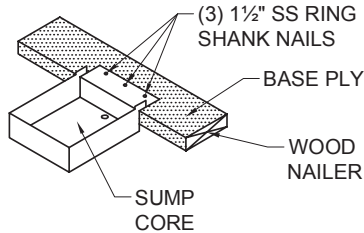
NOTE:
HOOK TOP
TO RETAINER
THEN PRESS
DOWNWARD
ON TOP FACE
TO SNAP INTO
POSITION
(REFER TO STEP 4)

Installation Guide for EverGuard EZ Fascia - Sump Cores & Spillouts

SUMP CORES

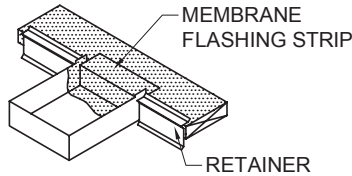
STEP 1: Installing Sump Core

Locate sump cores where downspouts will be located. Sumps are installed prior to the retainer. Fasten sump core to the wood nailer with a min. of (3) 1½-in. ss ring shank nails.



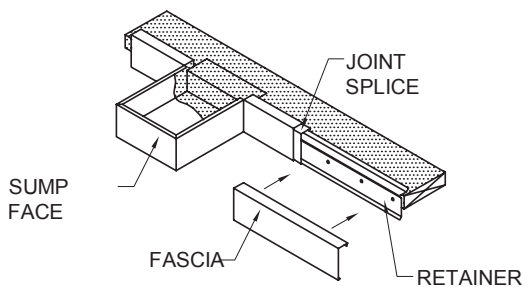
STEP 2: Installing Retainer at Sump Core

Butt retainer to the sump core. Apply membrane flashing strip into the sump core as required by membrane manufacturer's specifications. Splice and seal the membrane in and around the sump core in accordance with membrane manufacturer's specifications.



STEP 3: Installing Sump Face

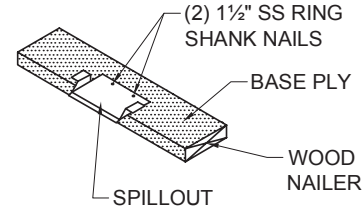
Place a concealed joint splice in each end of sump face. Install sump face by hooking top and pressing top face downward to snap fascia into place.



SPILLOUTS

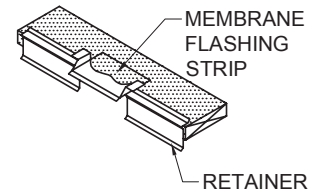
STEP 1: Installing Spillout

Spillouts are installed along with the fascia lengths as required. Spillouts are installed prior to the spring clip. Fasten spillout to the wood nailer with a min. of (2) 1½-in. ss ring shank nails.



STEP 2: Installing retainer at Spillout

Butt retainer to the spillout. Apply membrane flashing strip into the spillout as required by membrane manufacturer's specifications. Splice and seal the membrane in and around the spillout in accordance with membrane manufacturer's specifications. (DO NOT TO LEAVE ANY SHARP EDGES AGAINST THE MEMBRANE.)



STEP 3: Installing Spillout Face

Place a concealed joint splice in end of fascia. Position spillout fascia in a manner to engage the top of the retainer. Press top face downward to snap fascia into place.

