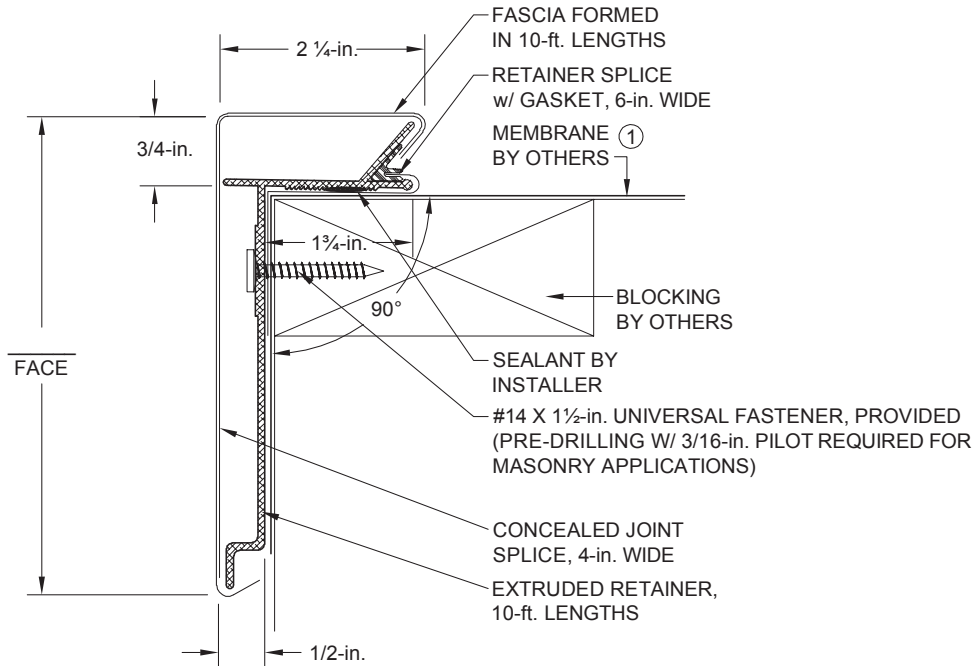


EverGuard Standard EZ Fascia EX

**Extruded Aluminum
Retainer For Single-Ply**



Order Specification Form



① Coordinate installation with membrane manufacturer.

QUANTITY		CAP MATERIAL	THICKNESS	COLORS	CAP FINISH
___	Total LF	<input type="checkbox"/> Aluminum	<input type="checkbox"/> 0.040	<input type="checkbox"/> Statuary Bronze (A-01)	<input type="checkbox"/> Mill Finish
___	Miters (___ Outside, ___ Inside)	<input type="checkbox"/> Galvanized	<input type="checkbox"/> 0.050	<input type="checkbox"/> Concord Cream (A-02)	<input type="checkbox"/> Prefinished Kynar
___	End Caps (___ Left, ___ Right)	<input type="checkbox"/> Stainless Steel	<input type="checkbox"/> 0.063	<input type="checkbox"/> Medium Bronze (A-05)	<input type="checkbox"/> Post Finished Kynar
___	End Terms (___ Left, ___ Right)	<input type="checkbox"/> _____	<input type="checkbox"/> 24GA	<input type="checkbox"/> Sandstone (A-06)	<input type="checkbox"/> Prefinished Anodized
___	Radius LF (Notched)		<input type="checkbox"/> 22GA	<input type="checkbox"/> Dove Gray (A-09)	<input type="checkbox"/> Post Finished Anodized
___	Vaulted LF (Welded)	MODEL / FACE	<input type="checkbox"/> _____	<input type="checkbox"/> Shale Gray (A-20)	<input type="checkbox"/> _____
___	Sumps	<input type="checkbox"/> 375 <input type="checkbox"/> 825	ACCESSORY TYPE	<input type="checkbox"/> Bone White (A-23)	
___	Spill Outs	<input type="checkbox"/> 525 <input type="checkbox"/> 1125	<input type="checkbox"/> Folded	<input type="checkbox"/> Sierra Tan (A-26)	
___	Special Corners (Attach Sketches)	<input type="checkbox"/> 675 <input type="checkbox"/> _____		<input type="checkbox"/> _____	

0.063 prefinished Kynar® is only available in Statuary Bronze, Medium Bronze, Sandstone, Dove Gray, Ascot White, Forest Green & Bone White
22-ga. covers only available in colors Statuary Bronze, Medium Bronze, Forest Green, Bone White and Shale Gray

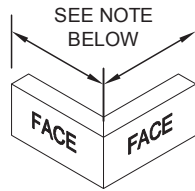
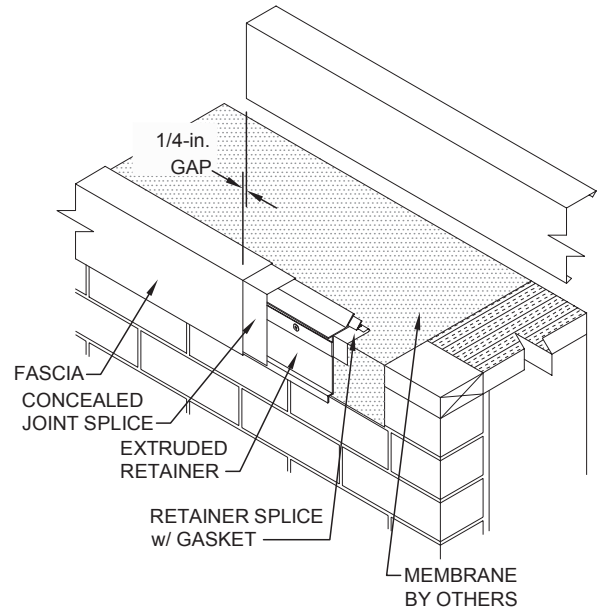
APPROVALS Contact manufacturer for verification of test report data on your project.		CUSTOMER APPROVAL	
 		<input type="checkbox"/> Approved for Fabrication <input type="checkbox"/> Approved with Changes <input type="checkbox"/> Not Approved	
		Authorized Customer Signature _____ Title _____ Date _____	
Job Name:	Customer:	By:	
Job #:	Representative:	Date:	
Location:	Architect:	Sheet of _____	



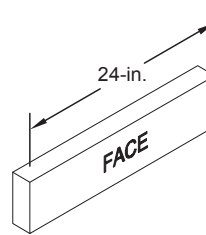
EverGuard Standard EZ Fascia EX

Extruded Aluminum Retainer For Single-Ply

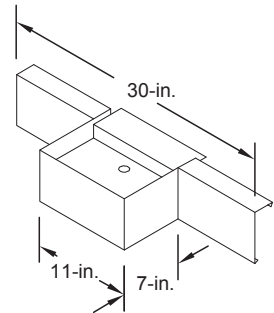
STANDARD COLORS - Other Colors Available



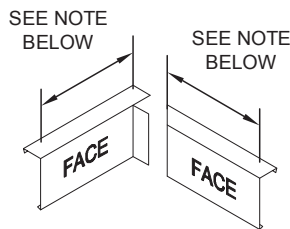
OUTSIDE MITER



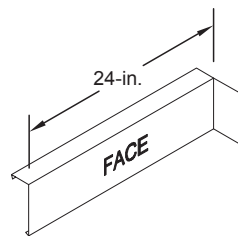
END CAP
LEFT HAND SHOWN



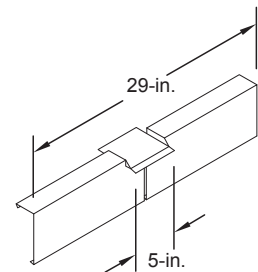
SUMP
2 PIECE ASSEMBLY



INSIDE MITER
2 PIECE ASSEMBLY



END TERM
RIGHT HAND SHOWN



SPILLOUT
3 PIECE ASSEMBLY

Standard fascia miter leg lengths: 12-in. nominal
Standard fascia miter angle is 90°

For special miter requirements, attach sketches or consult manufacturer for assistance.