

Installation Guide for EverGuard EZ Fascia EX Extender

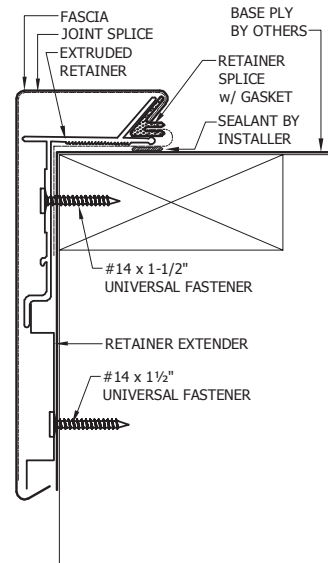
**Retainer with Extension for Non-Standard Sizes
in Single-Ply Applications**

1 CAMPUS DRIVE, PARSIPPANY, NJ 07054 USA
973-628-3000
WWW.GAF.COM



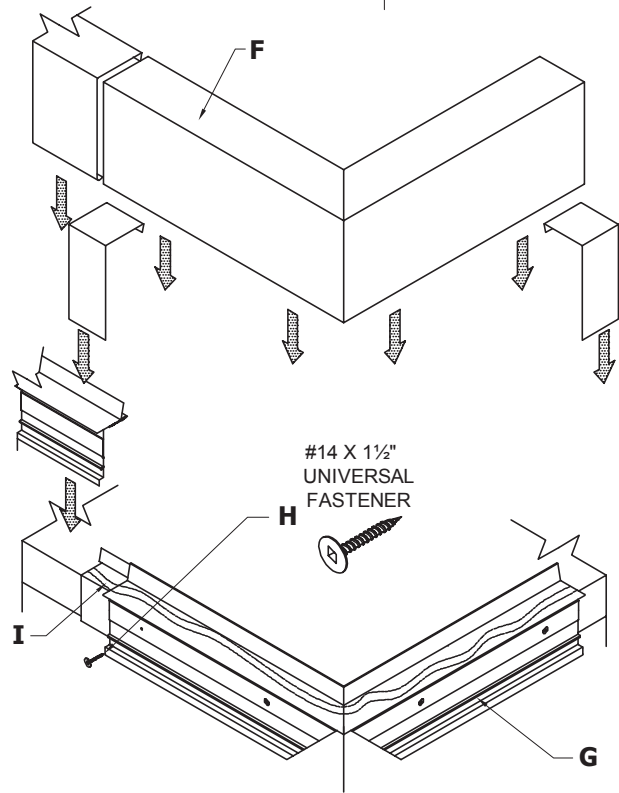
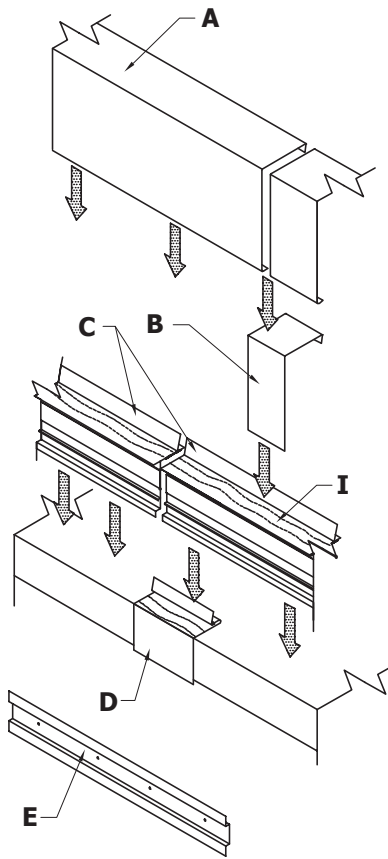
APPROVALS: Contact manufacturer for verification of test report data on your project.

ANSI/SPRI/FM4435
/ES-1 TESTED



NOTES:

- #1 - Isolate all metal parts from ACQ treated wood or other galvanically incompatible material with appropriate membrane material.
- #2 - Appliance attachments, such as lightning rods, signs, or antennae that penetrate the water seal, induce a galvanic reaction, or otherwise compromise the effectiveness of the roof edge system, shall be eliminated or isolated to prevent problems per section 8.0 of ANSI/SPRI/FM4435/ES-1. Appliances shall be isolated from or not attached to the roof edge system. Consult the lightning protection system manufacturer for specific attachment instructions.



A. Fascia Cover

10-ft. Lengths

B. Concealed Joint Splice

4-in. Lengths

C. Extruded Retainer

10-ft. Lengths

D. Retainer Splice With Gasket

6-in. Lengths

E. Retainer Extender

10-ft. Lengths

F. Fascia Miter Cover

(Outside Corner Shown)

G. Extruded Retainer Corner

(Outside Corner Shown)

H. #14 x 1-1/2-in. Universal Fastener

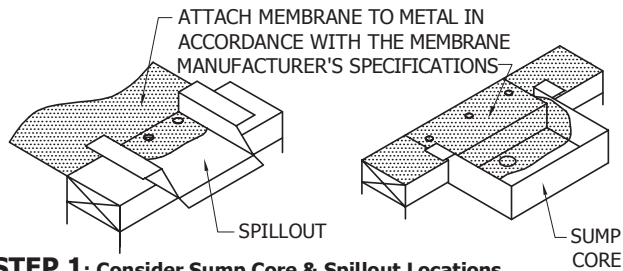
at 12-in. o.c. (6-in. from ends)

(Included & Required)

I. Non-Hardening Sealant

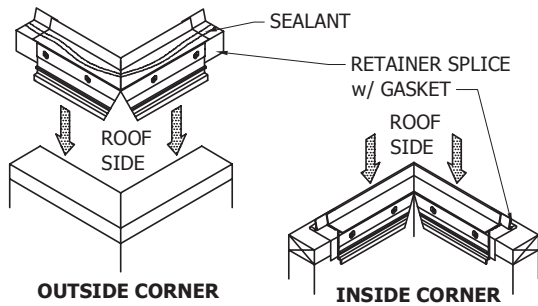
Continuous Bead of Sealant

(By Installer)



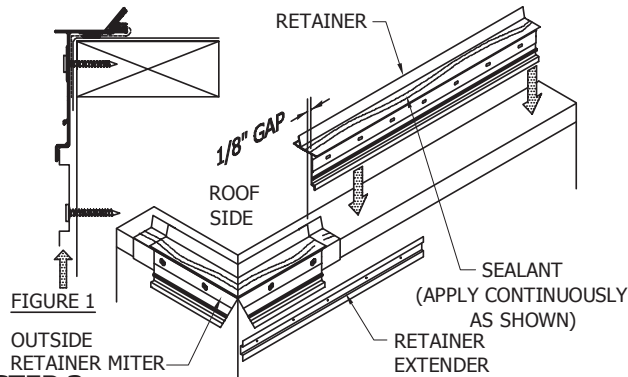
STEP 1: Consider Sump Core & Spillout Locations

Locate sump cores where downspouts will be located. Sumps are installed prior to the retainer. The retainer butts up to side(s) of sump core. Spillouts are installed along with the fascia lengths as required. Refer to "Spillout & Sump Core Install Guides" for more info on installation if necessary.



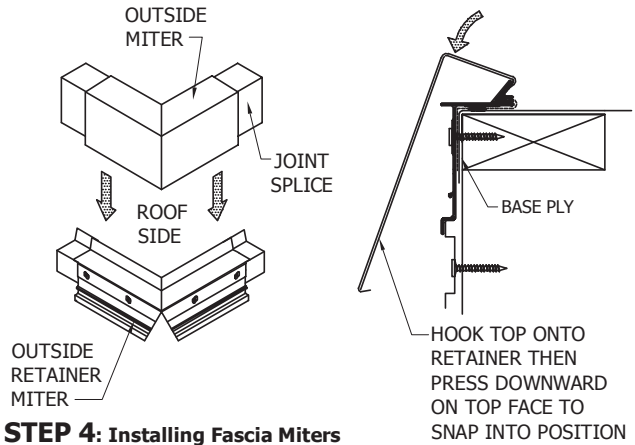
STEP 2: Installing Retainer Miters

Locate retainer miter for each corner. Apply a continuous bead of the roofing manufacturer's sealant to the bottom side of the retainer miter. Locate a retainer splice onto each end of the retainer miter. Place two screws (provided by manufacturer) in each side of the corner support.



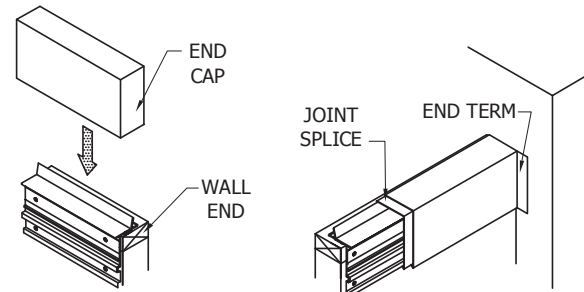
STEP 3: Installing Retainer & Retainer Extender

Apply a continuous bead of the roofing manufacturer's sealant to the bottom side of the retainer (see first page for detail view). Set the retainer onto the roof edge over membrane; install a retainer splice on end opposite of retainer miter. Attach retainer using mechanical screw fasteners (provided by manufacturer). Install a fastener in each pre-punched hole. Starting at corners, slide the extender up and behind the retainer (see figure 1). Attach using mechanical fasteners (provided by manufacturer). Install a fastener in each pre-punched hole (make sure the hole is located at the bottom, see figure 1). **Allow 1/8-in. gap between the retainer sections for thermal expansion (1/4-in. if temperature is below 40°F).**



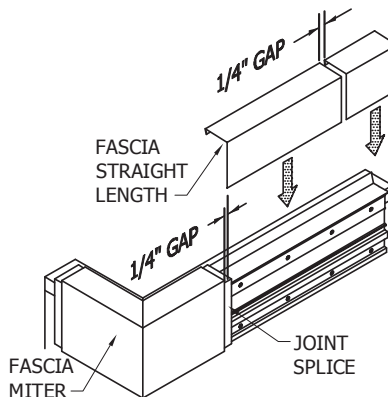
STEP 4: Installing Fascia Miters

Locate concealed joint splices in both ends of each fascia miter as shown). Leave approximately half of the joint splice extending past the end of the miter leg. With splices inside of miter, hook the top flange of the miter onto the top flange of the retainer to engage the top. Once the top of the miter has been engaged to the top of the retainer, rotate the fascia outward towards the outside of the building and press down on the top flange of the fascia to snap the bottom hook onto the bottom of the retainer extender. Make sure that the hook of the fascia has fully engaged onto the retainer extender.



STEP 5: Installing Fascia End Caps and End Terms

Install end caps and end terms by hooking top and pressing top face downward to snap fascia into place (refer to STEP 4).



NOTE:
HOOK TOP
TO RETAINER
THEN PRESS
DOWNWARD
ON TOP FACE
TO SNAP INTO
POSITION
(REFER TO STEP 4)

STEP 6: Installing Fascia Straight Lengths

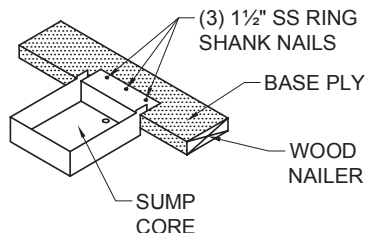
Place a concealed joint splice in the opposite end of the installed miter or end cap. Install the fascia by hooking top and pressing top face downward to snap fascia into place. **Allow 1/4-in. gap between the fascia sections for thermal expansion.** Lengths of all straight pieces should be considered prior to cutting to avoid creating relatively short sections of fascia adjacent to full length sections. **Note:** There should be a joint splice at every joint.

Installation Guide for EverGuard EZ Fascia - Sump Cores & Spillouts

SUMP CORES

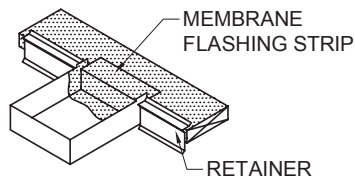
STEP 1: Installing Sump Core

Locate sump cores where downspouts will be located. Sumps are installed prior to the retainer. Fasten sump core to the wood nailer with a min. of (3) 1½-in. ss ring shank nails.



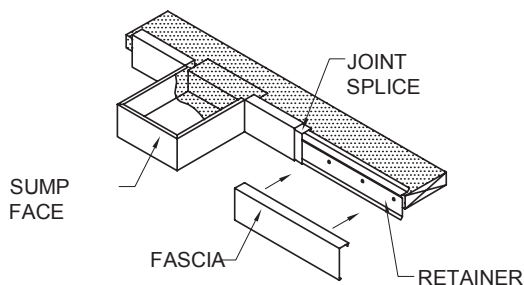
STEP 2: Installing Retainer at Sump Core

Butt retainer to the sump core. Apply membrane flashing strip into the sump core as required by membrane manufacturer's specifications. Splice and seal the membrane in and around the sump core in accordance with membrane manufacturer's specifications.



STEP 3: Installing Sump Face

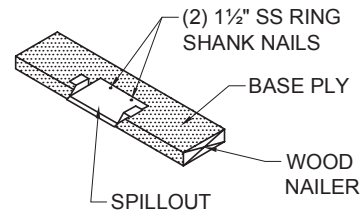
Place a concealed joint splice in each end of sump face. Install sump face by hooking top and pressing top face downward to snap fascia into place.



SPILLOUTS

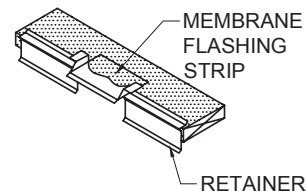
STEP 1: Installing Spillout

Spillouts are installed along with the fascia lengths as required. Spillouts are installed prior to the spring clip. Fasten spillout to the wood nailer with a min. of (2) 1½-in. ss ring shank nails.



STEP 2: Installing retainer at Spillout

Butt retainer to the spillout. Apply membrane flashing strip into the spillout as required by membrane manufacturer's specifications. Splice and seal the membrane in and around the spillout in accordance with membrane manufacturer's specifications. (DO NOT TO LEAVE ANY SHARP EDGES AGAINST THE MEMBRANE.)



STEP 3: Installing Spillout Face

Place a concealed joint splice in end of fascia. Position spillout fascia in a manner to engage the top of the retainer. Press top face downward to snap fascia into place.

