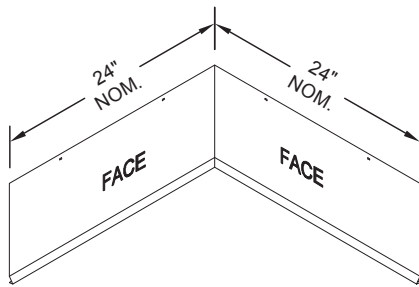
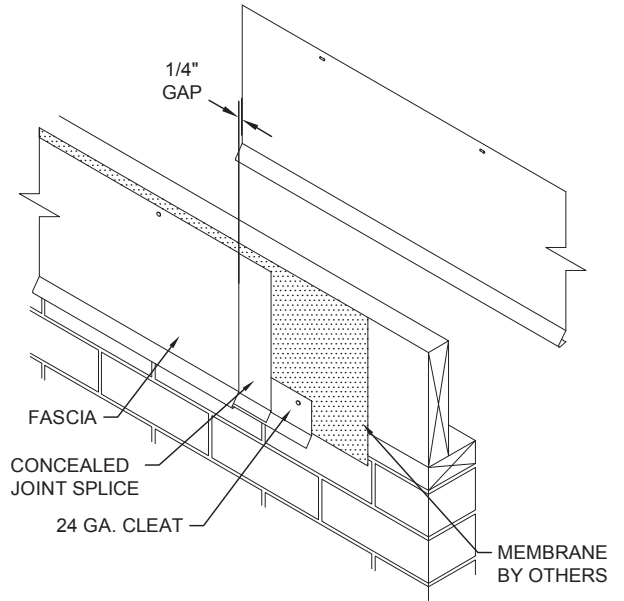


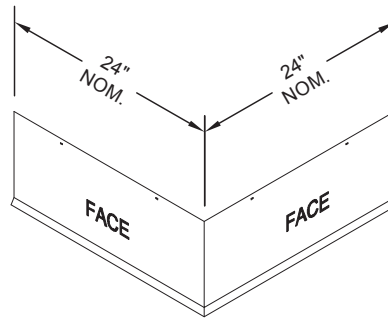


# EverGuard Extender

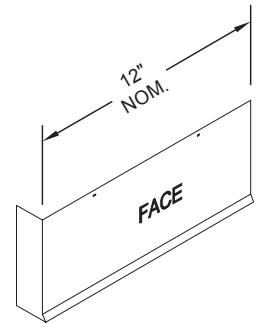
## STANDARD COLORS - Other Colors Available



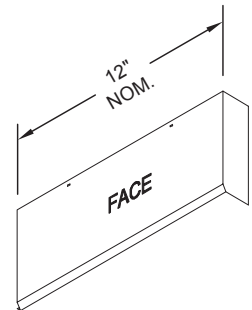
INSIDE MITER



OUTSIDE MITER



END CAP  
LEFT HAND SHOWN



END TERM  
RIGHT HAND SHOWN

Standard coping miter leg lengths are 24-in. Nominal  
Standard fascia miter angle is 90°  
For special miter requirements, attach sketches or consult manufacturer for assistance.