



DEPARTMENT OF REGULATORY AND ECONOMIC RESOURCES (RER)
BOARD AND CODE ADMINISTRATION DIVISION

MIAMI-DADE COUNTY
PRODUCT CONTROL SECTION
11805 SW 26 Street, Room 208
Miami, Florida 33175-2474
T (786) 315-2590 F (786) 315-2599
www.miamidade.gov/economy

NOTICE OF ACCEPTANCE (NOA)

GAF
1 Campus Drive
Parsippany, NJ 07054

SCOPE:

This NOA is being issued under the applicable rules and regulations governing the use of construction materials. The documentation submitted has been reviewed and accepted by Miami-Dade County RER - Product Control Section to be used in Miami Dade County and other areas where allowed by the Authority Having Jurisdiction (AHJ).

This NOA shall not be valid after the expiration date stated below. The Miami-Dade County Product Control Section (In Miami Dade County) and/or the AHJ (in areas other than Miami Dade County) reserve the right to have this product or material tested for quality assurance purposes. If this product or material fails to perform in the accepted manner, the manufacturer will incur the expense of such testing and the AHJ may immediately revoke, modify, or suspend the use of such product or material within their jurisdiction. RER reserves the right to revoke this acceptance, if it is determined by Miami-Dade County Product Control Section that this product or material fails to meet the requirements of the applicable building code.

This product is approved as described herein, and has been designed to comply with the Florida Building Code including the High Velocity Hurricane Zone of the Florida Building Code.

DESCRIPTION: Drill-Tec™ DL Base Sheet Fastener, Drill-Tec™ Base Sheet Fastener E and the Drill-Tec™ Locking Impact Nail

LABELING: Each unit shall bear a permanent label with the manufacturer's name or logo, city, state and following statement: "Miami-Dade County Product Control Approved", unless otherwise noted herein.

RENEWAL of this NOA shall be considered after a renewal application has been filed and there has been no change in the applicable building code negatively affecting the performance of this product.

TERMINATION of this NOA will occur after the expiration date or if there has been a revision or change in the materials, use, and/or manufacture of the product or process. Misuse of this NOA as an endorsement of any product, for sales, advertising or any other purposes shall automatically terminate this NOA. Failure to comply with any section of this NOA shall be cause for termination and removal of NOA.

ADVERTISEMENT: The NOA number preceded by the words Miami-Dade County, Florida, and followed by the expiration date may be displayed in advertising literature. If any portion of the NOA is displayed, then it shall be done in its entirety.

INSPECTION: A copy of this entire NOA shall be provided to the user by the manufacturer or its distributors and shall be available for inspection at the job site at the request of the Building Official.

This NOA renews NOA No. 15-0128.06 and consists of pages 1 through 11.
The submitted documentation was reviewed by Jorge L. Acebo.



NOA No.: 18-0308.04
Expiration Date: 04/17/23
Approval Date: 04/12/18
Page 1 of 11

ROOFING COMPONENT APPROVAL

Category: Roofing
Sub-Category: Roofing Fastener
Material: Steel

TRADE NAMES OF PRODUCTS MANUFACTURED OR LABELED BY APPLICANT

<u>Product</u>	<u>Dimensions</u>	<u>Test Specifications</u>	<u>Product Description</u>
Drill-Tec™ Base Sheet Fastener E (1.2 in.)	2.7" head x 1.2" long	TAS 114 TAS 117	Two piece factory preassembled base ply fastener/plate unit with dual gripping shanks and integral rib reinforced Galvalume stress distribution plate, formed from 0.013 in. thick G-90 hot dipped galvanized steel. The entire fastener is coated on both sides with a black urethane coating. For use in NVS concrete decks and various poured gypsum decks.
Drill-Tec™ Base Sheet Fastener E (1.7 in.)	2.7" head x 1.7" long	TAS 114 TAS 117	Two piece factory preassembled base ply fastener/plate unit with dual gripping shanks and integral rib reinforced Galvalume stress distribution plate, formed from 0.013 in. thick G-90 hot dipped galvanized steel. The entire fastener is coated on both sides with a black urethane coating. For use in lightweight insulating concrete and various poured gypsum decks.
Drill-Tec™ DL 1.7" Base Sheet Fastener	2.46" wide x 3.59" long x 1.665" tall	TAS 114 TAS 117	Two piece factory preassembled base ply fastener/plate unit with dual gripping shanks and integral rib reinforced Galvalume stress distribution plate, formed from 0.013 in. thick G-90 hot dipped galvanized steel. The entire fastener is coated on both sides with a black urethane coating. For use in lightweight insulating concrete and various poured gypsum decks.



<u>Product</u>	<u>Dimensions</u>	<u>Test Specifications</u>	<u>Product Description</u>
Drill-Tec™	2.7" head x 1.4" long,	TAS 114	Three piece factory preassembled fastener/plate unit. Tube formed from .030" thick G-90 hot dipped galvanized steel. A 2.7" diameter disk formed from .018" AZ-55 Galvalume steel is factory assembled to each fastener. Locking staple formed from .080" coated steel is factory assembled into tube. For base ply and insulation attachment to new or existing cementitious wood fiber, poured gypsum and lightweight insulating concrete decks.
Locking Impact Nail	2.7" head x 1.8" long,	TAS 117	
	2.7" head x 2.8" long,		
	2.7" head x 3.8" long,		
	2.7" head x 4.8" long		

MANUFACTURING LOCATION:

1. Bristol, R.I.

EVIDENCE SUBMITTED:

<u>Test Agency/Identifier</u>	<u>Name</u>	<u>Report</u>	<u>Date</u>
Trinity ERD	Withdrawal Performance		
	TAS 117(A) & (B)	#EO8950.04.08	04/17/08
	TAS 117 (A & B)	E41800.10.12	10/18/12
Factory Mutual Research Corporation	Wind Uplift	J.I. 0R0Q1.AM	03/22/91
	Wind Uplift	J.I. 1V1A9.AM	07/12/91
	Standard 4470	J.I. 0V8A3.AM	11/13/91
	Standard 4470	J.I. 1V9A8.AM	02/25/92
	Wind Uplift	J.I. 0W2A0.AM	03/19/92
	Wind Uplift	J.I. 1W5A2.AM	10/05/92
	Wind Uplift	J.I. 0W4A1.AM	01/04/93
	Corrosion Resistance	J.I. 0W4A1.AM	01/07/93
	Testing of Loc-Nails Standard 4470	J.I. 3W3A5.AM	01/27/94
Corrosion Resistance	3031797	05/19/08	
Trinity Engineering, Inc.	Dynamic Pull Through	#4670.10.95-1	10/01/95
	TAS 117(B)		
Exterior Research & Design, LLC.	TAS 117(A), (B) & (C)	#4670.07.97-1	07/20/97
PRI Construction Materials Technologies	TAS 114	ESP-001-02-01	01/23/12
			02/20/12



TYPICAL PROPERTIES:

Note: A 2 to 1 margin of safety has been applied to test results producing the design values noted herein.

Withdrawal Resistance Performance - TAS 117(A) - Static Load			
<u>Fastener</u>	<u>Deck Type</u>	<u>Static Withdrawal Resistance (lbf)</u>	
Drill-Tec™ DL 1.7” Base Sheet Fastener	Min. 200 psi cellular Lightweight concrete	3 day cure 44.0	28 day cure 82.0
Drill-Tec™ Base Sheet Fastener E (1.2 in.)	Poured gypsum	30.0	
Drill-Tec™ Base Sheet Fastener E (1.7 in.)	Min. 200 psi cellular Lightweight concrete	3 day cure 32.1	28 day cure 53.5
	Min. 200 psi aggregate lightweight concrete	3 day cure 39.9	28 day cure 77.3
Drill-Tec™ Locking Impact Nail	Poured gypsum	262.7	
Drill-Tec™ Locking Impact Nail	Cementitious wood fiber	176.2	

Withdrawal Resistance Performance - TAS 117(A) - Pulsating Load		
<u>Fastener</u>	<u>Deck Type</u>	<u>Static Withdrawal Resistance (lbf)</u>
Drill-Tec™ DL 1.7” Base Sheet Fastener	Min. 200 psi cellular lightweight concrete	28 day cure - 65
Drill-Tec™ Base Sheet Fastener E (1.2 in.)	Poured gypsum	25.8
Drill-Tec™ Base Sheet Fastener E (1.7 in.)	Min. 200 psi cellular lightweight concrete	28 day cure – 42.9
	Min. 200 psi aggregate lightweight concrete	28 day cure – 66.3
Drill-Tec™ Locking Impact Nail	Poured gypsum	196.0
Drill-Tec™ Locking Impact Nail	Cementitious wood fiber	105.0



**Base Sheet Rupture Performance, TAS 117(B):
2.5" x 3.6" Plate - Drill-Tec™ DL 1.7" Base Sheet Fastener**

<u>Manuf.</u>	<u>Base Sheet</u>	<u>Rupture Value (lbf)</u>	<u>Manuf.</u>	<u>Base Sheet</u>	<u>Rupture Value (lbf)</u>	
Certaineed	Glassbase	128	Polyglass	Elastobase V	156	
	Flex-I-Glas Base	134		PolyProtector UDL	97	
	PolySMS Base	186		Elastobase V (poly surface)	88	
	Flintlastic SA Nailbase	78	PRS	Derbi Base	130	
Firestone	SBS Base Sheet	163	Siplast	Parabase	147	
	APP 160	182		Soprema	Modified Sopra G	127
	SBS Glass Torch Base	128			Soprabase	117
	SBS Poly Torch Base	173	Tamko	Glass-Base	133	
GAF	GAFGLAS® #75 Base Sheet	131		Vapor Chan	136	
		GAFGLAS® Stratavent® Eliminator™ Venting Base Sheet	131	Tarco	Easy Base	93
	GAFGLAS® #80 Ultima Base Sheet	99	Tremco	BURMastic Glass Ply	142	
	Liberty™ SBS MA Mechanically Attached Base	82		Vapor Chan	231	
Garland	HPR Glas Base	140	US Ply	USP Base	144	
	HPR Tri Base Plus	226		Duraflex 30 SBS Base	132	
Johns Manville	Permaply #28	137		USP NVB	140	
	Ventsulation	124	WP Hickman	Multi-Ply Glass	146	
	Dynabase	153		Multi-Ply Glass CL	212	
				Performance Ply	191	
				Pika Ply HI-TEC 60	230	



**Base Sheet Rupture Performance, TAS 117(B):
Drill-Tec™ Base Sheet Fastener E (1.2 in.) or Drill-Tec™ Base Sheet Fastener E (1.7 in.)**

<u>Manuf.</u>	<u>Base Sheet</u>	<u>Rupture Value (lbf)</u>	<u>Manuf.</u>	<u>Base Sheet</u>	<u>Rupture Value (lbf)</u>
Honeywell	Glass Fiber Base Sheet	84	Johns Manville	Glasbase	103
	Vented Base Sheet	85		Dynabase	104
Celotex	Channel Vent GB	95		Ventsulation	109
	Vaporbar GB	92	Siplast	Parabase	101
	Hydrostop	102		Parabase Plus	100
Firestone	MB Base	88	Soprema	Sopra-G	103
GAF	GAFGLAS® #75 Base Sheet	103		Elastophene 180	107
	GAFGLAS® Stratavent® Eliminator™ Venting Base Sheet	89		Sopralene 180	115
CertainTeed	Flex-I-Glas Base	106	Tamko	Nail Fast	99
	PolySMS	111		Versa Base	106
Koppers	Glass Fiber Base	108	Tremco	BURmastic Glass Ply	114
	Organic Base	94		BURmastic Composite Ply	114
Malarkey	#501	110	U.S. Intec	Ultra Base	95.0
	#602	107		Flex Base	111
	#603	114		Modified Base	111
	#605	109		Permavent	117
Nord	NBS G-2 Base	102	W.P Hickman	Multi Ply	112
	Nordstar Base	110		Performance Ply	113
				Pika Ply SS-2	116



Base Sheet Rupture Performance, TAS 117(B): 2.7" Head

Drill-Tec™ Locking Impact Nail

<u>Manuf.</u>	<u>Base Sheet</u>	<u>Rupture Value (lbs.)</u>	<u>Manuf.</u>	<u>Base Sheet</u>	<u>Rupture Value (lbs.)</u>
Honeywell	Black Armor base Sheet	109	Johns Manville	Dynabase	151
Bitec	Beta Base	120	Johns Manville	Vestulation	114
CertainTeed	Glasbase	90	Johns Manville	Perma Ply-28	138
CertainTeed	Flex-I-Glas Base	120	Siplast	Parabase	109
CertainTeed	Flex-I-Glas All Weather Empire Base	125	Siplast	Parabase Plus	140
Firestone	MB Base	128	Soprema	Sopra-G	123
GAF	GAFGLAS® Stratavent® Eliminator™ Venting Base Sheet	119	Soprema	Modified Sopra-G	103
GAF	GAFGLAS® Stratavent® Eliminator™ Perforated Base Sheet	97	Tamko	Glass-Base	117
GAF	GAFGLAS® #75 Base Sheet	117	Tamko	Vapor-Chan	158
WP Hickman	Multiply glass	133	Tamko	Base-N-Ply	103
WP Hickman	Multiply glass CL	191			

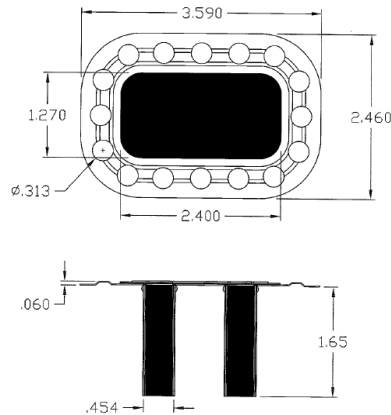


APPROVED APPLICATIONS:

Trade Name: Drill-Tec™ DL 1.7” Base Sheet Fastener

Deck: Approved minimum 200-psi aggregate or cellular lightweight concrete. See lightweight concrete deck Notice of Acceptance for Approved deck systems.

Application: See specific Roof Assembly Product Control Notice of Acceptance for fastener density and Approved attachment patterns.



DRILL-TEC™ DL 1.7” BASE SHEET FASTENER

NOTE: BLACK SHADED AREA REPRESENTS COATED LOCATIONS.

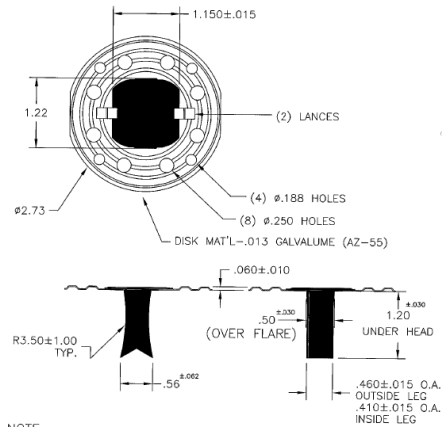


Trade Name: Drill-Tec™ Base Sheet Fastener E (1.2 in.)

Deck: Approved NVS lightweight concrete, various poured gypsums, existing gypsum. See lightweight concrete deck Notice of Acceptance for Approved deck systems.

Compatible Plate(s): N/A

Application: Drill-Tec™ Base Sheet Fastener E (1.2 in.) is an approved and acceptable alternate to the Drill-Tec™ CR 1.2" Base Sheet Fastener. Drill-Tec™ Base Sheet Fastener E (1.2 in.) may be used in any approved Roof Assembly NOA where the Drill-Tec™ CR 1.2" Base Sheet Fastener is referenced. Approved fastening patterns and densities listed in any approved Roof Assembly NOA containing the Drill-Tec™ CR 1.2" Base Sheet Fastener shall be acceptable when using Drill-Tec™ Base Sheet Fastener E (1.2 in.).



DRILL-TEC™ BASE SHEET FASTENER E (1.2 IN.)

NOTE: BLACK SHADED AREA REPRESENTS COATED LOCATIONS.

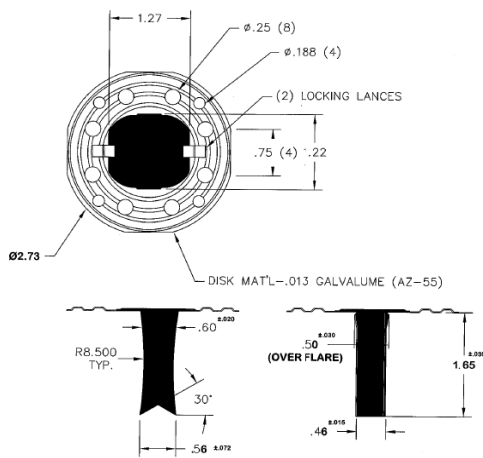


Trade Name: Drill-Tec™ Base Sheet Fastener E (1.7 in.)

Deck: Approved minimum 200-psi aggregate or cellular lightweight concrete. See lightweight concrete deck Notice of Acceptance for Approved deck systems.

Compatible Plate(s): N/A

Application: Drill-Tec™ Base Sheet Fastener E (1.7 in.) is an approved and acceptable alternate to the Drill-Tec™ CR 1.7” Base Sheet Fastener. Drill-Tec™ Base Sheet Fastener E (1.7 in.) may be used in any approved Roof Assembly NOA where the Drill-Tec™ CR 1.7” Base Sheet Fastener is referenced. Approved fastening patterns and densities listed in any approved Roof Assembly NOA containing the Drill-Tec™ CR 1.7” Base Sheet Fastener shall be acceptable when using Drill-Tec™ Base Sheet Fastener E (1.7 in.).

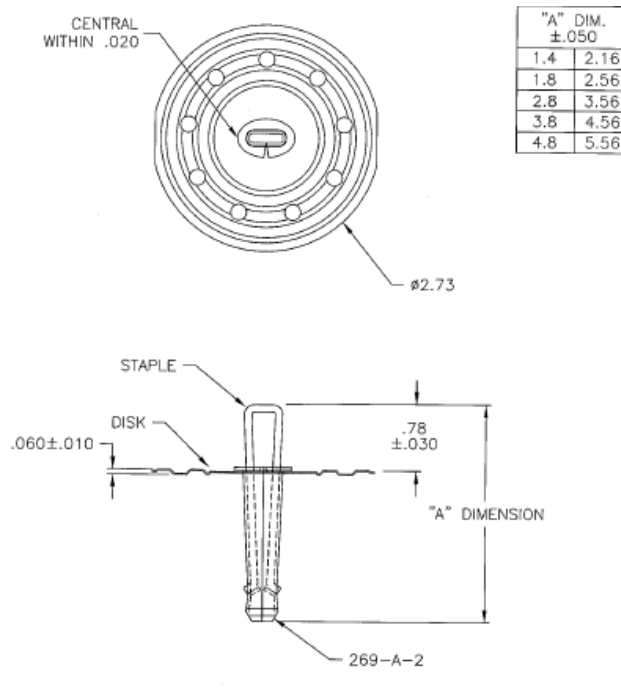


DRILL-TEC™ BASE SHEET FASTENER E (1.7 IN.)

NOTE: BLACK SHADED AREA REPRESENTS COATED LOCATIONS.



Trade Name: Drill-Tec™ Locking Impact Nail
Deck: New or sound existing Cementitious Wood Fiber, Poured Gypsum, Lightweight Concrete.
Compatible Plate(s): N/A
Application: See specific Roof Assembly Product Control Notice of Acceptance for fastener density and Approved attachment patterns.



DRILL-TEC™ LOCKING IMPACT NAIL

END OF THIS ACCEPTANCE

