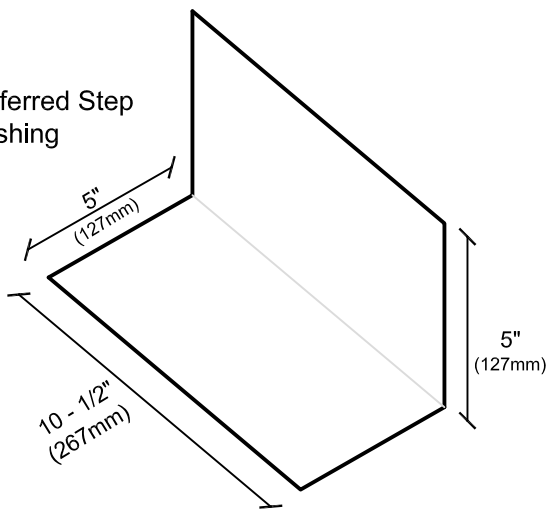
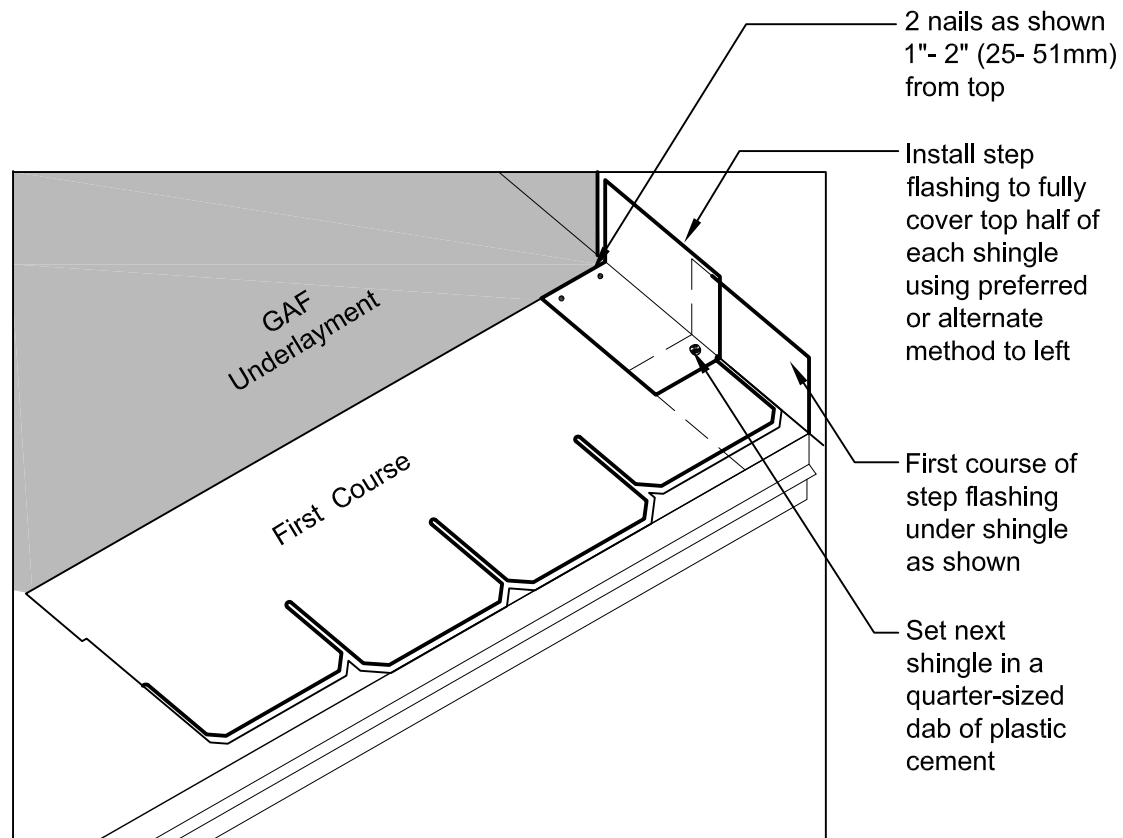
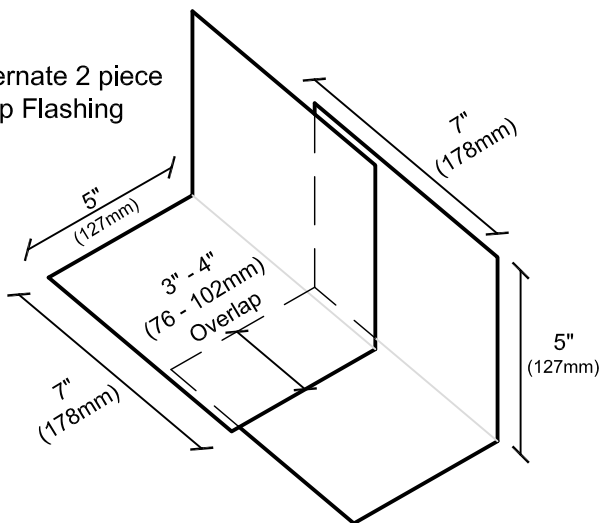


Preferred Step Flashing



Alternate 2 piece Step Flashing



1361 Alps Rd.
Wayne, NJ 07470
www.gaf.com

BRAND SERIES

**WOODLAND
SERIES**
Lifetime Shingles

REVISION DATE

1-01-12

SCALE

N.T.S

STEP FLASHING DETAIL

DETAIL NUMBER

05

DETAIL REFERENCE

SS-WLD