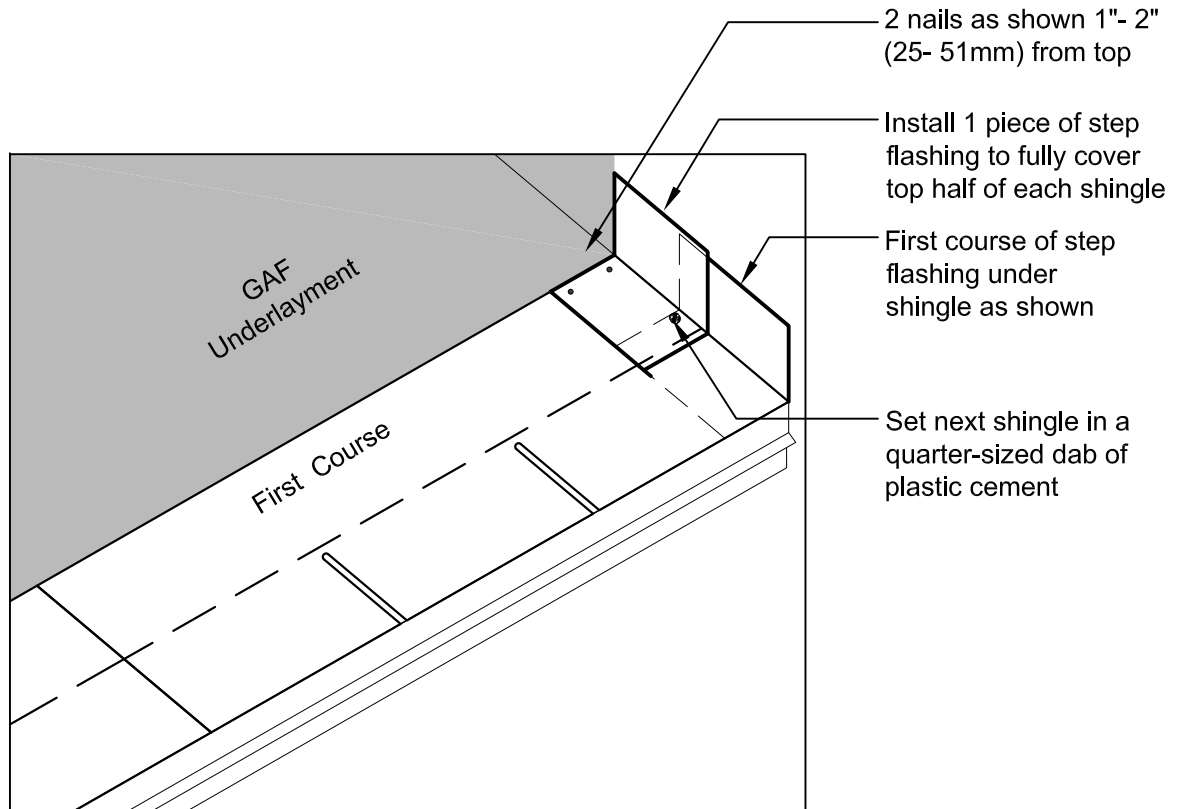
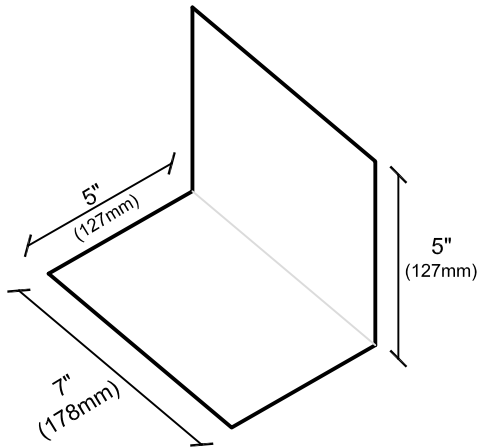


Step Flashing for English size shingles 12" x 36" (305mm x 914mm) with 5" (127mm) exposure



- 2 nails as shown 1" - 2" (25- 51mm) from top
- Install 1 piece of step flashing to fully cover top half of each shingle
- First course of step flashing under shingle as shown
- Set next shingle in a quarter-sized dab of plastic cement



1361 Alps Rd.  
Wayne, NJ 07470  
www.gaf.com

BRAND SERIES

**SOVEREIGN  
SERIES**  
Shingles

REVISION DATE

1-01-12

SCALE

N.T.S

## STEP FLASHING DETAIL

ENGLISH SIZE SHINGLE ONLY

DETAIL NUMBER

**05a**

DETAIL REFERENCE

**SS-TS**