

# Master Flow<sup>®</sup> PRSolar1 / PRHybrid 1 Solar Powered Roof Vent

## Miami-Dade County Notice of Acceptance (NOA)

Updated: 3/10



*Quality You Can Trust...From  
North America's Largest Roofing Manufacturer!™*

[www.gaf.com](http://www.gaf.com)



**BUILDING CODE COMPLIANCE OFFICE (BCCO)  
PRODUCT CONTROL DIVISION**

**MIAMI-DADE COUNTY, FLORIDA  
METRO-DADE FLAGLER BUILDING  
140 WEST FLAGLER STREET, SUITE 1603  
MIAMI, FLORIDA 33130-1563  
(305) 375-2901 FAX (305) 375-2908**

**NOTICE OF ACCEPTANCE (NOA)**

**LL Building Products, Inc.  
295 McKoy Road  
Burgaw, NC 28425**

**SCOPE:**

This NOA is being issued under the applicable rules and regulations governing the use of construction materials. The documentation submitted has been reviewed by Miami-Dade County Product Control Division and accepted by the Board of Rules and Appeals (BORA) to be used in Miami Dade County and other areas where allowed by the Authority Having Jurisdiction (AHJ).

This NOA shall not be valid after the expiration date stated below. The Miami-Dade County Product Control Division (In Miami Dade County) and/or the AHJ (in areas other than Miami Dade County) reserve the right to have this product or material tested for quality assurance purposes. If this product or material fails to perform in the accepted manner, the manufacturer will incur the expense of such testing and the AHJ may immediately revoke, modify, or suspend the use of such product or material within their jurisdiction. BORA reserves the right to revoke this acceptance, if it is determined by Miami-Dade County Product Control Division that this product or material fails to meet the requirements of the applicable building code.

This product is approved as described herein, and has been designed to comply with the High Velocity Hurricane Zone of the Florida Building Code.

**DESCRIPTION: PR Solar1 / PRHybrid1 Power Roof Vent**

**LABELING:** Each unit shall bear a permanent label with the manufacturer's name or logo, city, state and following statement: "Miami-Dade County Product Control Approved", unless otherwise noted herein.

**RENEWAL** of this NOA shall be considered after a renewal application has been filed and there has been no change in the applicable building code negatively affecting the performance of this product.

**TERMINATION** of this NOA will occur after the expiration date or if there has been a revision or change in the materials, use, and/or manufacture of the product or process. Misuse of this NOA as an endorsement of any product, for sales, advertising or any other purposes shall automatically terminate this NOA. Failure to comply with any section of this NOA shall be cause for termination and removal of NOA.

**ADVERTISEMENT:** The NOA number preceded by the words Miami-Dade County, Florida, and followed by the expiration date may be displayed in advertising literature. If any portion of the NOA is displayed, then it shall be done in its entirety.

**INSPECTION:** A copy of this entire NOA shall be provided to the user by the manufacturer or its distributors and shall be available for inspection at the job site at the request of the Building Official.

This revises and renews NOA# 05-0620.05 and consists of pages 1 through 3.  
The submitted documentation was reviewed by Alex Tigera.



**NOA No.: 09-1130.02  
Expiration Date: 11/10/15  
Approval Date: 03/03/10  
Page 1 of 3**

## ROOFING COMPONENT APPROVAL

**Category:** Roofing  
**Sub-Category:** 07720 Ventilation  
**Material:** G-90 Galvanized Steel

### TRADE NAMES OF PRODUCTS MANUFACTURED OR LABELED BY APPLICANT:

<u>Product</u>	<u>Dimensions</u>	<u>Test Specification</u>	<u>Product Description</u>
PRSolar1 Power Roof Vent	19" x 28"x28" 0.020" thick Steel	TAS 100	Solar Powered Roof Vent, with fan and thermostat with a galvanized hood.
PRHybrid1 Power Roof Vent	19" x 28"x28" 0.020" thick Steel	TAS 100	Solar/Electric Powered Roof Vent, with fan and thermostat with a galvanized hood.

### EVIDENCE SUBMITTED:

<u>Test Agency/Identifier</u>	<u>Name</u>	<u>Report</u>	<u>Date</u>
PRI Asphalt Technologies	TAS 100	LLB-014-02-02	05/09/05

### APPROVED APPLICATIONS

**Cutout:** Vent must be place 18" from ridgeline. At chosen location and centered between two roof rafters, cut a 15" diameter hole through shingles and sheathing boards.

Using marked position as center point; scribe a circle that is the same diameter as the vent throat opening. Starting with the drill hole cut vent hole.

**Installation:** Vents should be evenly spaced on the rear slope of the roof.

Remove roofing nails from top row of shingles so the flashing of the roof vent will slide under shingles. Apply approved roof cement around the edge of the hole. Carefully slide base of vent under shingles with arrow facing up. Make sure the throat of the vent is centered over vent hole. Fasten the base to roof decking at corners, and approx. 4" o.c. 1" from the outside edge of the flange and 1" from stack every 45° with approved roofing nails, keeping heads of nails under shingles where possible. Use a minimum of 32 nails and shall be of sufficient length to penetrate through roof sheathing a minimum of ½". See details drawings herein. Seal all seams and nails with roofing cement. After mounting the vent elevate the adjustable solar panels to achieve maximum exposure to the sun and lock in position.

**Net Free Area:** Refer to manufacturers published literature

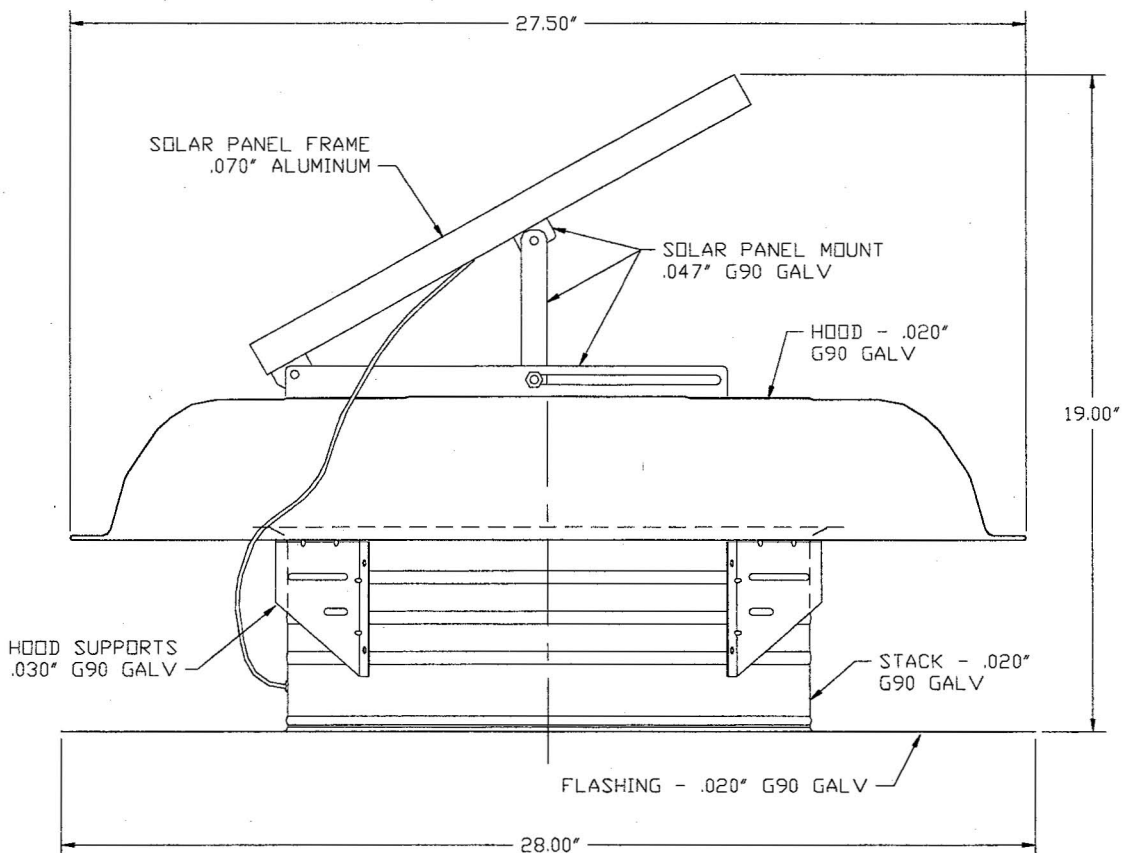
**MIAMI-DADE COUNTY**  
APPROVED

NOA No.: 09-1130.02  
Expiration Date: 11/10/15  
Approval Date: 03/03/10  
Page 2 of 3

## LIMITATIONS:

1. Refer to applicable building codes for required ventilation.
2. For PRSolar1 / PRHybrid1 Power Roof Vent, thermostat shall be installed in compliance with LL Building Products, Inc. published instructions, and in accordance with applicable Building Codes.
3. This acceptance is for installations over asphaltic shingle roofs only.
4. PRSolar1/PRHybrid1 Power Roof Vent shall not be installed on roof mean heights greater than 33 feet.

### DETAIL DRAWINGS PRSolar1 / PRHYBRID1 POWER ROOF VENT



**END OF THIS ACCEPTANCE**

**MIAMI-DADE COUNTY**  
APPROVED

NOA No.: 09-1130.02  
Expiration Date: 11/10/15  
Approval Date: 03/03/10  
Page 3 of 3