

Cobra® Ridge Runner™ Ridge Vent Application Instructions

Information Sheet

Updated: 6/09



*Quality You Can Trust Since 1886...
From North America's Largest Roofing Manufacturer™*

APPLICATION INSTRUCTIONS

Roof Deck: Use only over a well-seasoned, supported wood deck, tightly constructed with maximum 6" wide lumber, having adequate nail-holding capacity. Plywood decking as recommended by The Engineered Wood Association is acceptable.

For ridge vent to function properly, it must be the only high or exhaust vent for the vented attic space. Do not use with gable-end louvers, turbines, roof vents or power vents.

Slope Restrictions: Use only on slopes between 3/12 and 16/12.

STEP 1

Calculations for a Balanced Ventilation System

To achieve a "balanced system" with Cobra® Ridge Runner™ ridge vent, there must be an air intake system (i.e., soffit or under-eave vents). For proper ventilation, the amount of under-eave ventilation must equal the amount of ventilation at the ridge.

NOTE: Consult local building codes for other ventilation requirements.

NOTE: In no case should the amount of exhaust ventilation exceed the amount of intake ventilation.

To determine the minimum square feet of net free ventilating area (NFVA) needed for a balanced ventilation system, use the following formula:

$$\frac{\text{Sq. ft. of attic floor space}}{300} = \text{Min. Sq. ft. of NFVA needed}$$

Cobra® Ridge Runner™ ridge vent has 12.5 square inches of NFVA per lineal foot. To determine how many feet of Cobra® Ridge Runner™ ridge vent is needed, use the following formula:

$$1/2 \times (\text{Min. Sq. ft. of NFVA needed}) \times 144/12.5 = \text{Min. lineal feet of ridge vent needed.}$$

To determine the amount of under-eave vent required, use the following formula:

$$X = \text{NFVA (Sq. in. per. lin. ft.) of the under-eave vent or intake vent system selected}$$

$$1/2 \times (\text{Min. Sq. Ft. of NFVA needed}) \times 144/X = \text{Min. lineal feet of under-eave vent needed.}$$

STEP 2

Instruction For Slots

After calculating the total length of Cobra® Ridge Runner™ ridge vent needed, determine the necessary slot opening required.

Note: If installing on an existing roof, remove the cap shingles from the ridge.

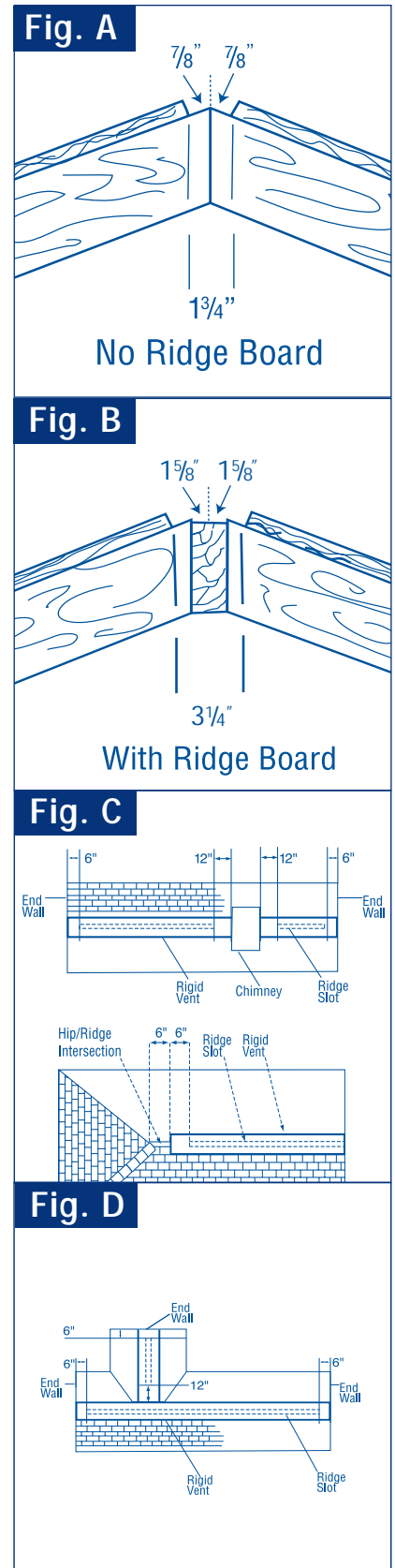
Roofs without a ridge board: cut an opening along the ridge 7/8" on each side (Figure A).

Roofs with a ridge board: cut an opening along the ridge 1 5/8" on each side (Figure B).

Note: Maximum slot opening is 3 1/4" wide.

Mark off and cut the slot opening, making sure that the ends of the opening stop at least 6" from any end walls and 12" from chimneys and hip intersections (Figure C).

Where short ridges (dormers, ridge intersections) are used, mark and cut the slot making sure that the end of the opening stops at least 12" from the ridge intersection (Figure D).



STEP 3 Ridge Vent Installation

Tear a 1' section to be used as a template for laying the vent out (Figure E-G) and center the template/ locator over the ridge cap shingles at the beginning of the vent slot. Note the location of the baffle (Figure H). Make sure to do this at both ends of the installation.

Measure the distance from the edge of the roof slot to the exterior baffle (D). Establish a chalk line along one side of the ridge (Figure I).

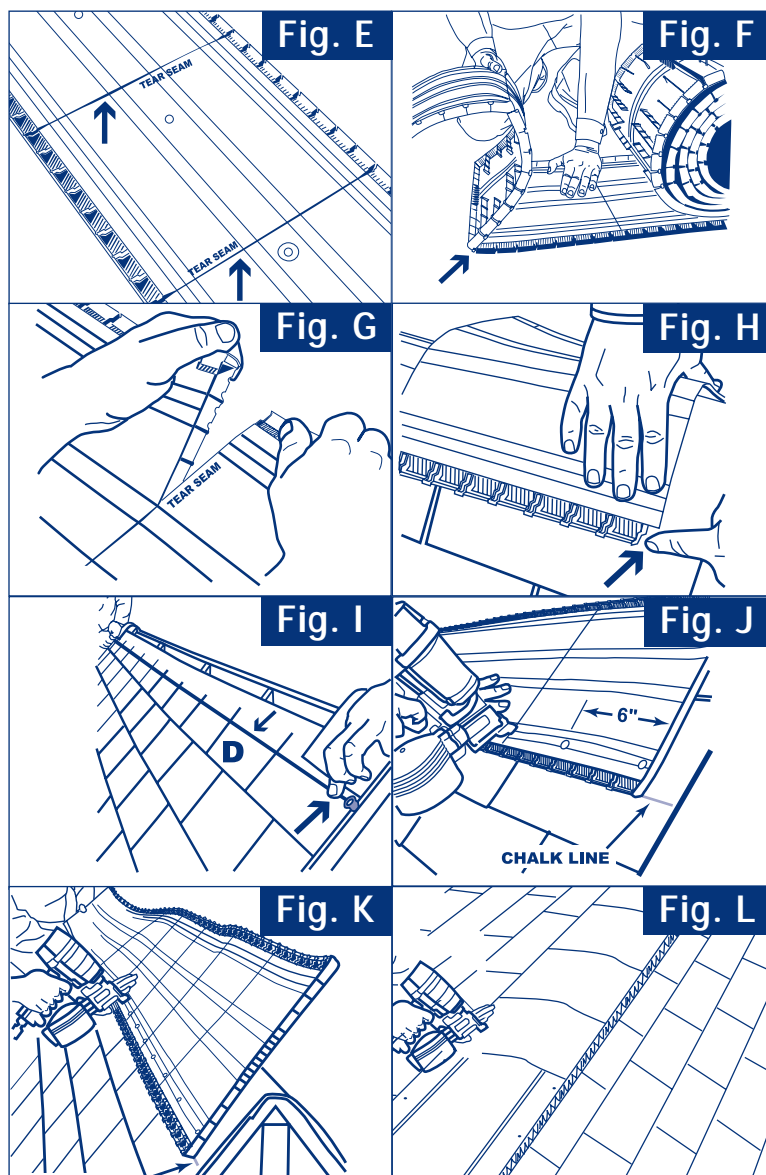
Unroll the vent and use the included 1³/₄" pneumatic roofing nails to attach the first side of the ridge vent with the exterior of the baffle aligned with the chalk line (Figure J). Proceed with using the 1' interval EasyTear™ system to custom size the vent to the appropriate length. If the EasyTear™ system can not be utilized, use a utility knife to size the vent. Nail gun targets are embossed on the part as a guide for properly attaching vent to the roof. The vent should be fastened on 6" centers (Figure K).

NOTE: When fastening the vent and cap shingles, be sure that the included 1³/₄" coil nails completely penetrate plywood or provide at least ³/₄" penetration into wood planks. In the case they do not, you must use alternate nails that provide the required penetration.

Proceed with attaching the other side of the vent. When beginning to nail down the second side, do NOT begin at the end. Begin between the first and second one-foot sections and then return to fasten the first one-foot section. This will allow for proper fit.

Please Note The Following:

1. Do not install on hips.
2. For proper appearance, pull the vent snugly across the ridge and flat on the roof before shooting each nail.
3. For applications with hip and ridge intersections, to prevent potential weather or insect infiltration, terminate the Cobra® ridge vent at least 6" short of the intersection.
4. For a uniform appearance, install Cobra® Ridge Runner vent over the entire length of the ridge, making sure that the vent extends past the slot opening by at least 6".
5. For applications over laminated shingles, apply a bead of silicone caulking or roof cement to the underside of the outer baffle along the entire ridge and at exposed edges so that the gaps are completely filled. Do not use excess roof cement as it may cause blistering of the shingles.
6. When venting vaulted and cathedral ceilings, each joist/rafter cavity must be vented at both ends and have at least 1³/₄" clearance.



STEP 4 Cap Shingle Installation

Install the ridge cap shingles directly to the vent using pneumatic nail gun and included 1³/₄" nails. A nail line is inscribed on the top of the vent to serve as a guide (Figure L).

NOTE: When fastening the vent and cap shingles, be sure that the included 1³/₄" coil nails completely penetrate plywood or provide at least ³/₄" penetration into wood planks. If they do not, you must use alternate nails that provide the required penetration.

"Your Best And Safest Choice... Quality You Can Trust Since 1886!"

