

# Cobra® Fascia Vent Installation Instructions

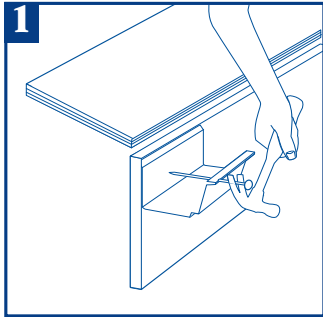
## Information Sheet

Updated: 1/04

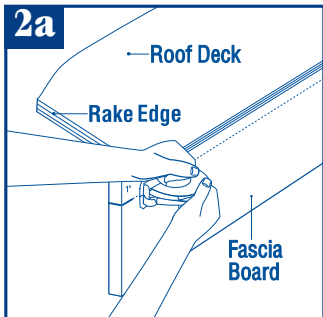


*Quality You Can Trust Since 1886...  
From North America's Largest Roofing Manufacturer™*

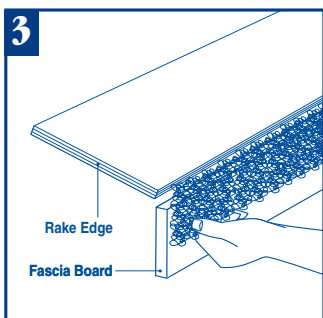
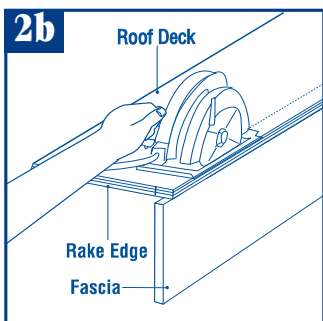
# Cobra® Fascia Vent Installation Instructions



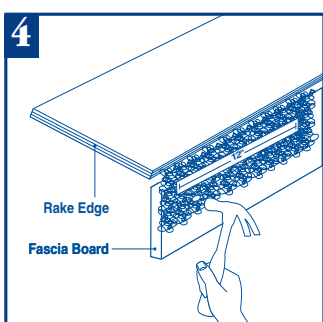
1. For application on homes with existing gutters, remove the gutter spikes or hangers and pull away the gutter section, revealing the substrate for the Cobra Fascia Vent installation area. For homes without gutters, move to Step 2.



2. After removing shingles, underlayment and any existing drip edge, cut a 1/2" to 1" slot in in the fascia board (as shown in drawing 2a) or the roof deck (as shown in drawing 2b), to provide an air intake opening. **DO NOT CUT THROUGH SUPPORT RAFTERS!**



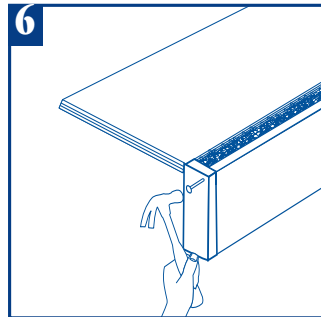
3. Apply the Cobra Fascia Vent near the top of the existing fascia board and approximately flush with the roof deck.\* Be sure that the Cobra Fascia Vent does not extend past the bottom of the rake. This will ensure a hidden, clean fit.



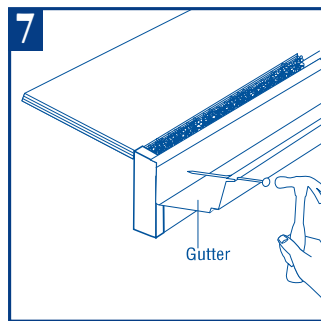
4. Nail the Cobra Fascia Vent to the existing fascia board every 12" on center using roofing nails long enough to penetrate 3/4" inch minimum into the fascia.



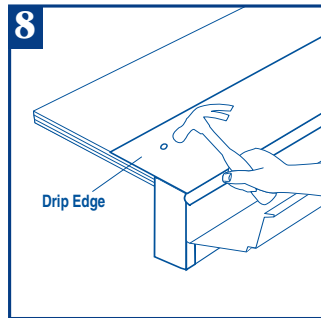
5. After Cobra Fascia Vent has been installed on the application area, cover the fascia vent with an additional new wood fascia board, which may be capped with aluminum trim sheet. Be sure to attach wood fascia on top of Cobra Fascia Vent using galvanized nails or screws, penetrating at least 3/4" into original fascia board.



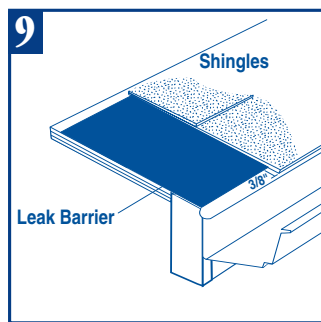
6. End caps- if existing trim or rake does not cover the ends, install wood or metal end caps completely covering new fascia and Cobra Fascia Vent.



7. For application on homes with existing gutters, re-install the gutter sections by driving spikes or hangers through the exterior fascia board, Cobra Fascia Vent and original fascia board. Note: Lower gutter slightly to avoid gutter spikes or hangers from re-entering existing holes.



8. Install aluminum drip edge, making certain to cover original fascia board, Cobra Fascia Vent, and exterior fascia board. Note: Make sure there is no dip or cupping over new fascia areas.



9. Apply leak barrier or underlayment, then shingles, making certain to extend shingles 3/8" beyond the drip edge. Note: When installing starter strip, be sure to position nails high enough on drip edge to penetrate the deck.

\* Various sized fascias may exist. Cobra Fascia Vent need not extend to bottom of fascia



Quality You Can Trust Since 1886...from North America's Largest Roofing Manufacturer