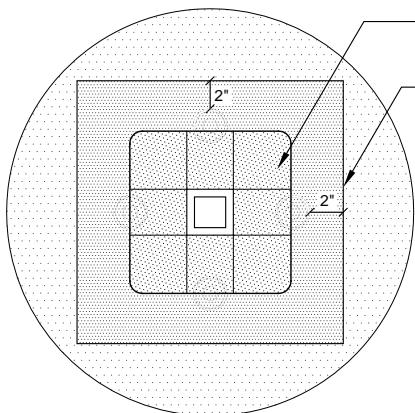
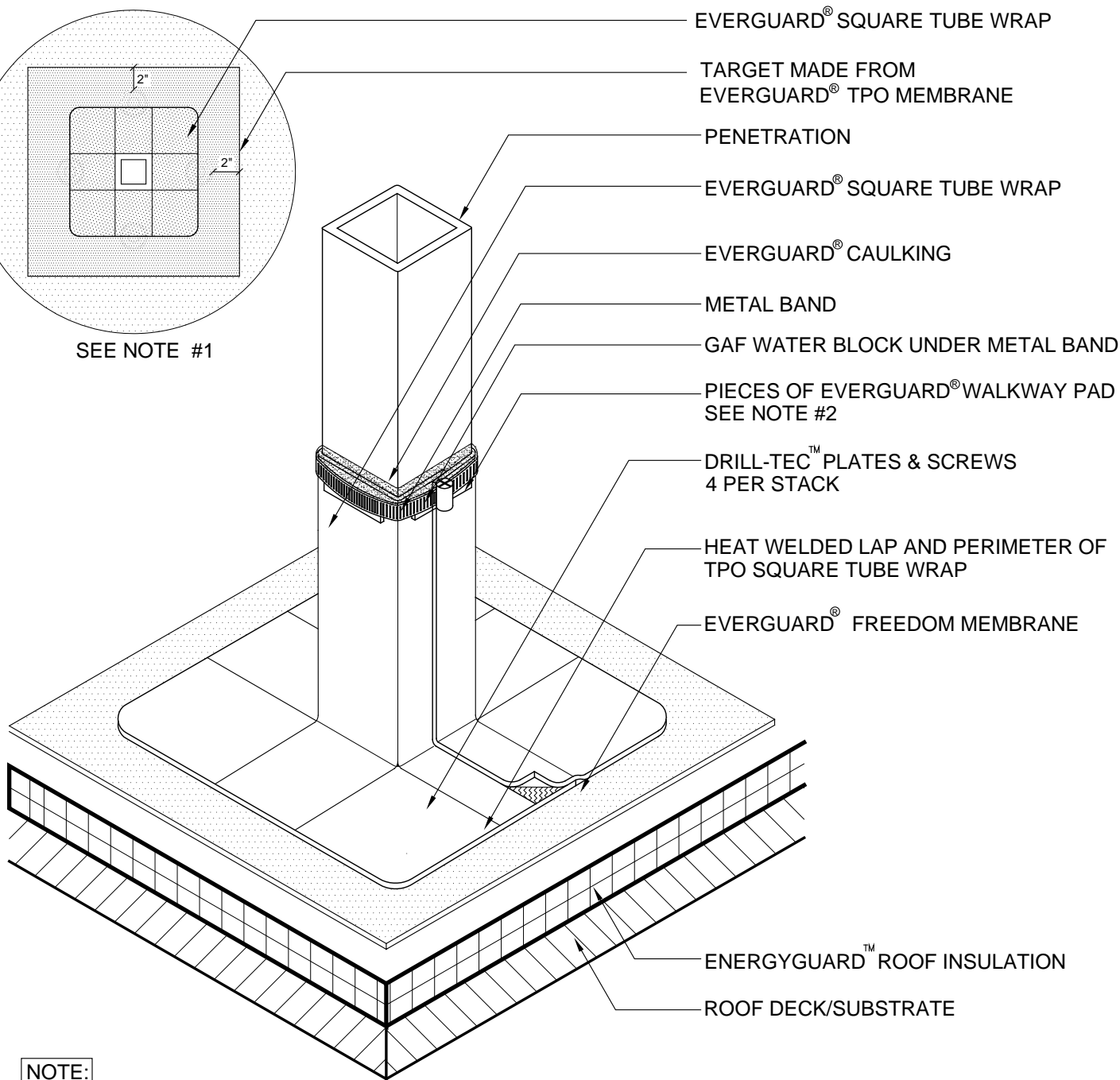


ALTERNATE INSTALLATION



SEE NOTE #1



- EVERGUARD® SQUARE TUBE WRAP
- TARGET MADE FROM EVERGUARD® TPO MEMBRANE
- PENETRATION
- EVERGUARD® SQUARE TUBE WRAP
- EVERGUARD® CAULKING
- METAL BAND
- GAF WATER BLOCK UNDER METAL BAND
- PIECES OF EVERGUARD® WALKWAY PAD SEE NOTE #2
- DRILL-TEC™ PLATES & SCREWS 4 PER STACK
- HEAT WELDED LAP AND PERIMETER OF TPO SQUARE TUBE WRAP
- EVERGUARD® FREEDOM MEMBRANE
- ENERGYGUARD™ ROOF INSULATION
- ROOF DECK/SUBSTRATE

**NOTE:**

1. IF THE PLATES AND FASTENERS INTRUDE INTO BOOT FLANGE AREA, THEN A TARGET MUST FIRST BE INSTALLED OVER PLATES AND FASTENERS BEFORE BOOT INSTALLATION.
2. IF A TIGHTER FIT IS REQUIRED AT THE TOP OF THE WRAP, INSERT SLIVERS OF WALKWAY PAD BETWEEN THE BAND AND THE MEMBRANE ON ALL FOUR SIDES.
3. APPLY EVERGUARD® TPO CUT EDGE SEALANT TO ALL CUT REINFORCED TPO EDGES (REFER TO DETAIL FD 115) AND ALL RAPIDSEAM™ SEAMS.



ROOF PENETRATION SERIES

**SQUARE TUBE WRAP**

HEATWELD & RAPIDSEAM

DRAWING #

527

SCALE

N.T.S.

SYSTEM

FD

ISSUE/ REVISION DATE

3-1-10