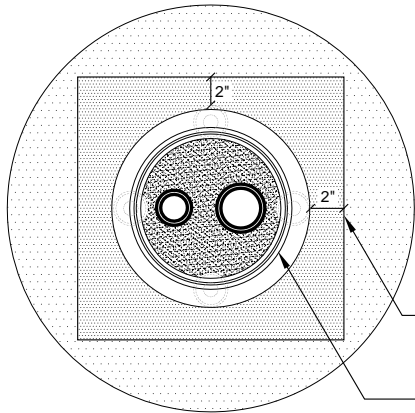


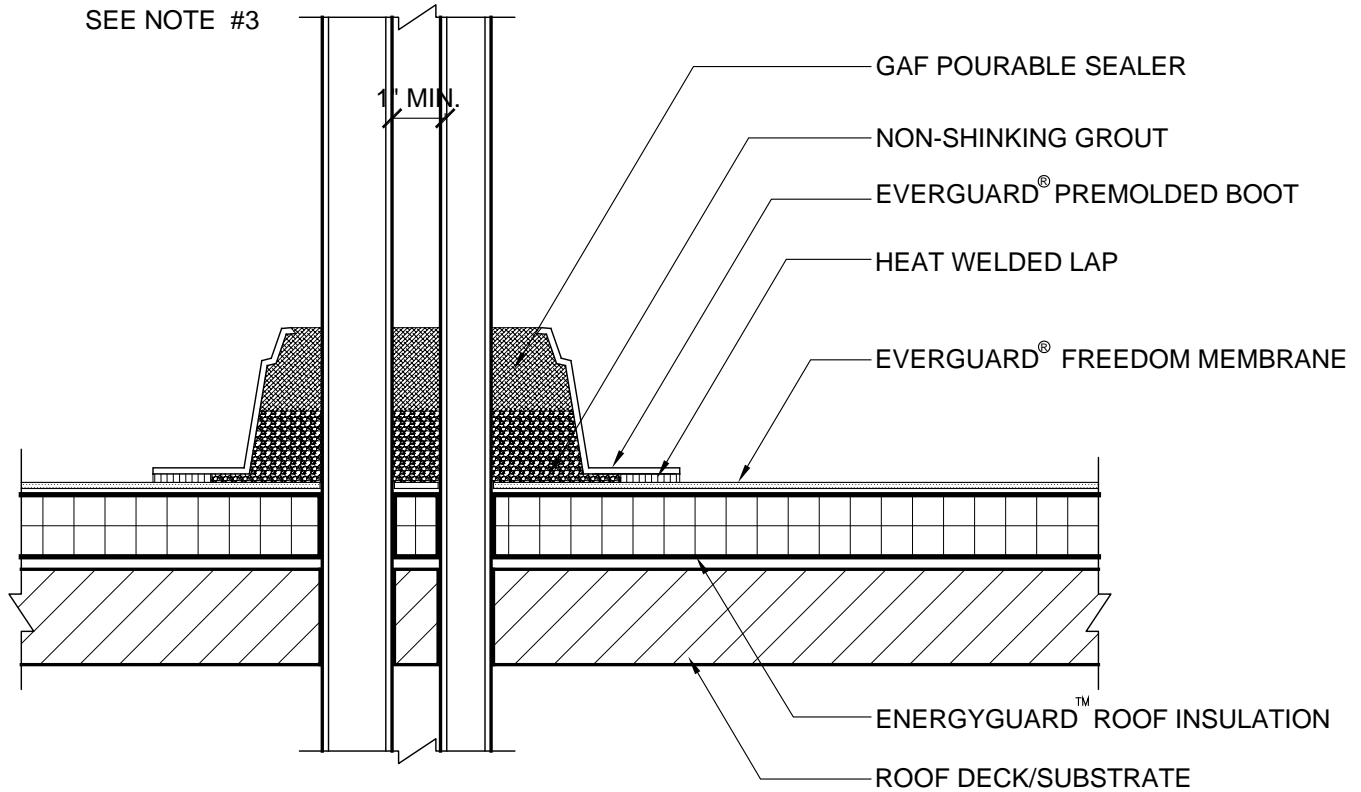
ALTERNATE INSTALLATION



SEE NOTE #3

TARGET MADE FROM  
EVERGUARD® TPO MEMBRANE

EVERGUARD® PREFORMED VENT BOOT



GAF POURABLE SEALER

NON-SHINKING GROUT

EVERGUARD® PREMOLDED BOOT

HEAT WELDED LAP

EVERGUARD® FREEDOM MEMBRANE

ENERGYGUARD™ ROOF INSULATION

ROOF DECK/SUBSTRATE

**NOTE:**

1. TO MAKE A SEAM ON RAPID SEAM™ WITHOUT RAPID SEAM™ PRESENT, YOU MUST USE GAF CLEANER AS WELL AS GAF PRIMER TO PREP THE AREA.
2. EXISTING PROJECTION MUST BE CLEANED AND FREE OF INSULATING MATERIALS .
3. POURABLE SEALER MOUNTED TO SHED WATER (MAX 2" DEPTH), REMAINDER OF POCKET MAY BE FILLED WITH A NON-SHRINKING GROUT.
4. DO NOT USE OVER EXISTING PENETRATION POCKETS.
5. DO NOT USE WHEN SERVICE LINE TEMP. EXCEEDS 140°F.
6. EVERGUARD® TPO PRIMER REQ. ON PENETRATIONS AND MEMBRANE INSIDE OF PENETRATION POCKET.
7. APPLY EVERGUARD® TPO CUT EDGE SEALANT TO ALL CUT REINFORCED TPO EDGES ( REFER TO DETAIL FD 115 ) AND ALL RAPIDSEAM™ SEAMS.



ROOF PENETRATION SERIES

**PREMOLDED PENETRATION FLASHING**

HEATWELD & RAPIDSEAM

DRAWING #

**523**

SCALE

N.T.S.

SYSTEM

**FD**

ISSUE/ REVISION DATE

3-1-10