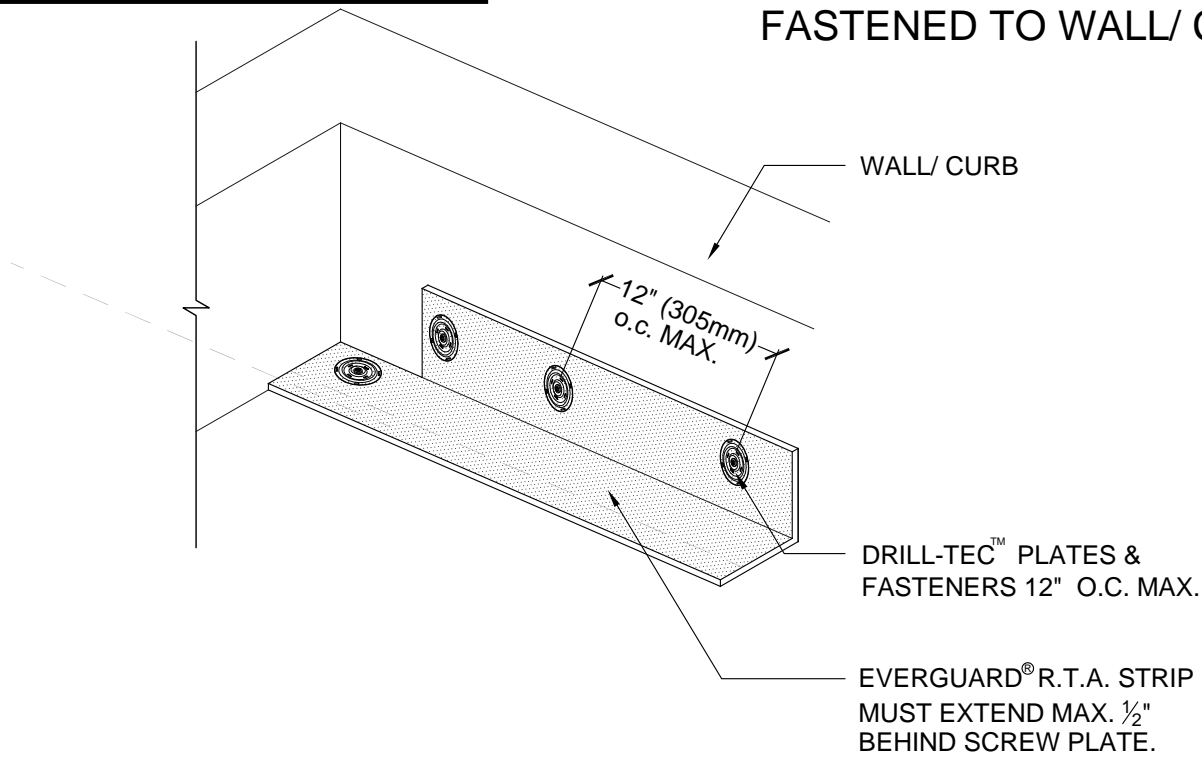
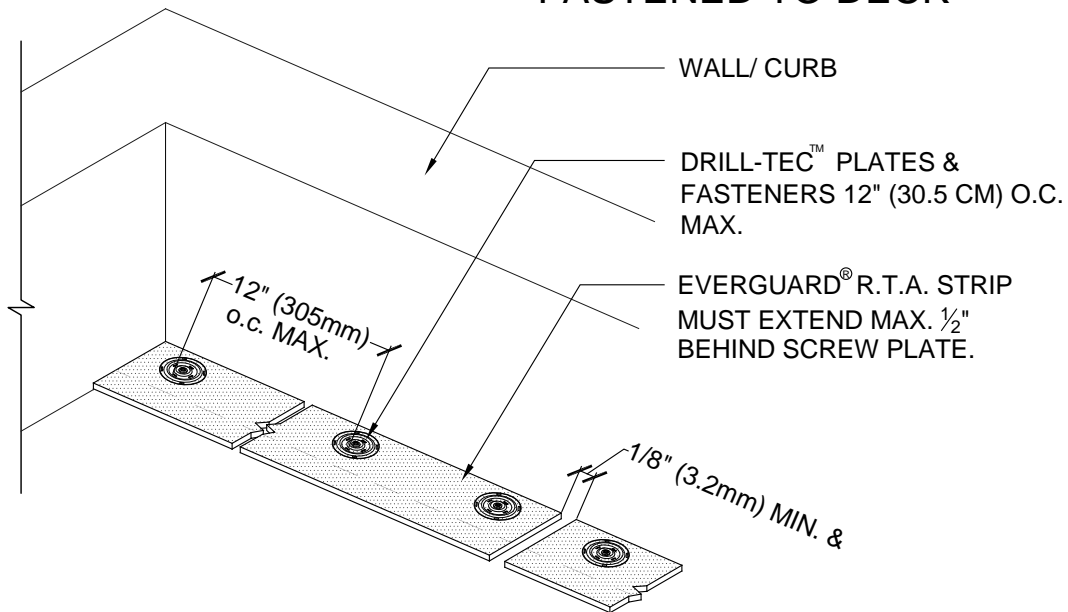


FASTENED TO WALL/ CURB



FASTENED TO DECK



NOTE:

1. R.T.A. STRIP MAY BE FIELD FABRICATED OUT OF EVERGUARD®FREEDOM MEMBRANE.
2. COMMON FASTENER ANCHORING THE OVERLAP OF THE TWO STRIPS IN THE CORNER



PARAPET WALL & CURB SERIES

R.T.A. STRIP INSIDE CORNER REINFORCEMENT

HEATWELD & RAPIDSEAM

DRAWING #
326A

SCALE
N.T.S.

SYSTEM
FD

ISSUE/ REVISION DATE
3-1-10