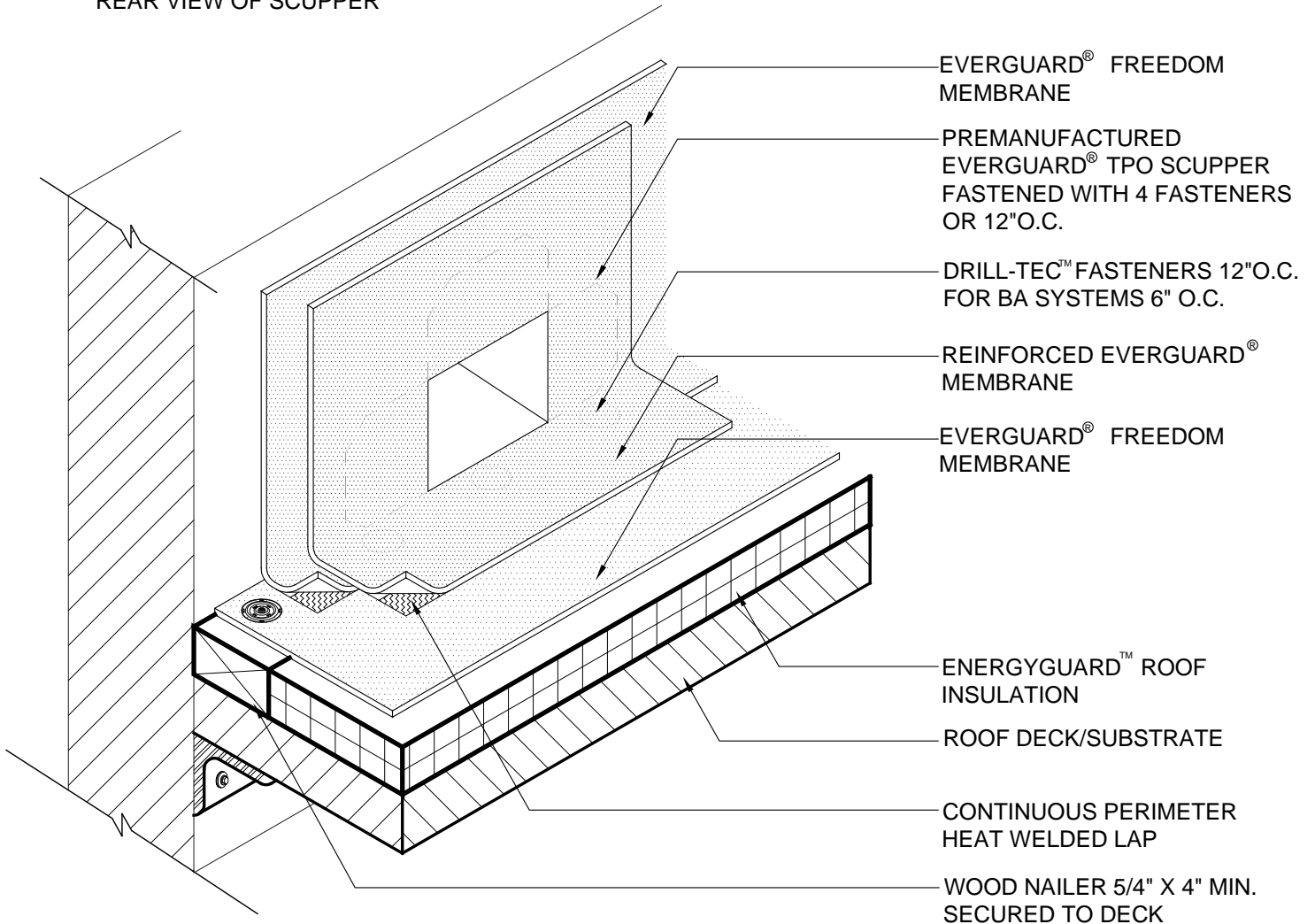


EVERGUARD® WATER BLOCK APPLIED BEFORE SCUPPER INSTALLATION

REAR VIEW OF SCUPPER



NOTE:

1. DETAIL TO BE USED IN CONJUNCTION WITH STANDARD GUIDE SPECIFICATION CONTAINING REQUIREMENTS FOR NAILERS, INSULATION ETC.
2. TO MAKE A SEAM ON RAPID SEAM™ WITHOUT RAPID SEAM™ PRESENT, YOU MUST USE GAF CLEANER AS WELL AS EVERGUARD® TPO PRIMER TO PREP THE AREA.
3. APPLY EVERGUARD® TPO CUT EDGE SEALANT TO ALL CUT REINFORCED TPO EDGES (REFER TO DETAIL FD 115) AND ALL RS SEAMS.



PARAPET WALL & CURB SERIES

SCUPPER- PREMANUFACTURED

HEATWELD & RAPIDSEAM

DRAWING #

324

SCALE

N.T.S.

SYSTEM

FD

ISSUE/ REVISION DATE

3-1-10