

TPO CUSTOMIZED ACCESSORY ORDER FORM

JOB NAME: _____
 CONTRACTOR NAME: _____
 CONTRACTOR ADDRESS: _____

QUOTE #: _____ DATE: _____
 CONTACT: _____
 CONTACT PHONE NUMBER: _____

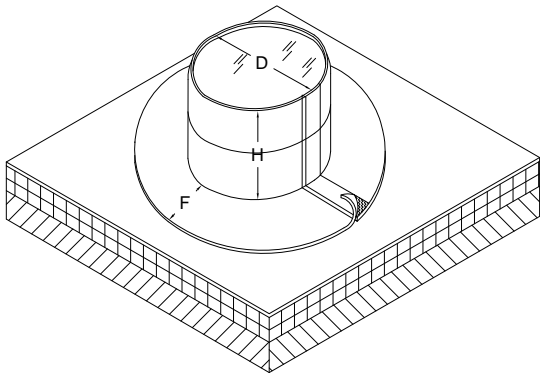
NOTE: AVERAGE LEAD TIME IS 2-4 WEEKS FROM ORDER CONFIRMATION. EXACT LEAD TIME WILL BE PROVIDED WHEN ORDER IS PLACED. ADDITIONAL LEAD TIME MAY BE REQUIRED BASED ON QUANTITY. EXTRA CHARGE FOR EXPEDITED ORDERS.

Contractor Signature: _____

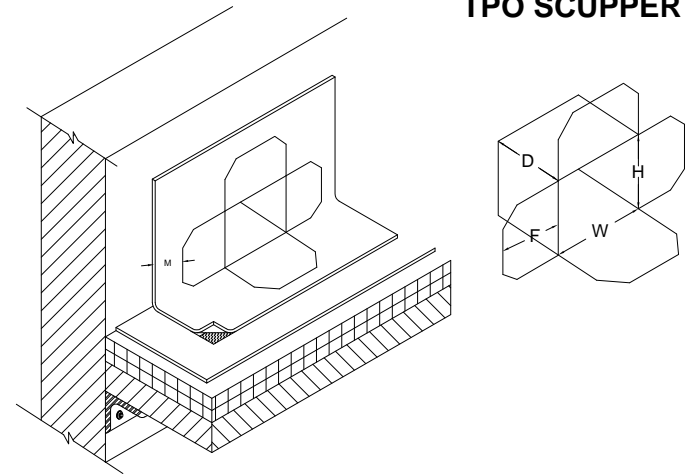
SELLER WARRANTS THAT, AT THE TIME OF DELIVERY, THE PRODUCTS DELIVERED HERE UNDER SHALL CONFORM TO THE APPLICABLE SPECIFICATIONS AS INDICATED ON FORM HERETO AND SHALL BE FREE AND CLEAR OF ALL LIENS AND ENCUMBRANCES. SELLER DOES NOT MAKE AND IS NOT TO BE HELD LIABLE FOR ANY WARRANTY OF MERCHANTABILITY OR FITNESS FOR A PARTICULAR USE OR PURPOSE OR FOR ANY OTHER WARRANTY OF ANY KIND WHATSOEVER, EXPRESS OR IMPLIED, EXCEPT AS SET FORTH IN THE PRECEDING SUB-PARAGRAPH. BUYER ASSUMES ALL RISK AND LIABILITY WITH RESPECT TO RESULTS OBTAINED BY THE USE OF ANY PRODUCT, WHETHER USED ALONE OR IN COMBINATION WITH OTHER PRODUCTS. NO CLAIM OF ANY KIND WHATSOEVER, REGARDLESS OF THE THEORY ON WHICH A CLAIM MAY BE MADE INCLUDING, WITHOUT LIMITATION, NEGLIGENCE, CONTRACT, BREACH OF WARRANTY, ABSOLUTE LIABILITY IN TORT, MISREPRESENTATION OR OTHERWISE, WITH RESPECT TO ANY PRODUCT DELIVERED OR FOR FAILURE TO DELIVER ANY PRODUCT, SHALL BE GREATER IN AMOUNT THAN THE PURCHASE PRICE HEREUNDER OF THE SHIPMENT OF THE PRODUCT IN RESPECT OF WHICH DAMAGES ARE CLAIMED. IN NO EVENT SHALL SELLER BE LIABLE FOR INCIDENTAL, CONSEQUENTIAL, SPECIAL, INDIRECT OR PUNITIVE DAMAGES. FAILURE OF BUYER TO GIVE WRITTEN NOTICE OF CLAIM WITHIN SIXTY (60) DAYS AFTER DELIVERY OF ANY PRODUCT OR THE DATE STATED FOR DELIVERY, AS THE CASE MAY BE, SHALL CONSTITUTE A WAIVER BY BUYER OF ALL CLAIMS WITH RESPECT TO SUCH PRODUCT.

POURABLE SEALER POCKET	Dimensions (inches) TOLERANCE = +/- 1/4"	TPO SCUPPER	Dimensions (inches) TOLERANCE = +/- 1/4"
ITEM CODE# 8516 55 Mil Detailing Membrane & Coated Metal QTY: _____	INSIDE DIAMETER (D): _____ HEIGHT (H): 4" FLANGE (F): 3" SEAM (CIRCLE ONE) SPLIT WELDED COLOR (CIRCLE ONE) WHITE TAN GRAY	ITEM CODE# 8514 55 Mil Detailing Membrane & Coated Metal QTY: _____	OPENING HEIGHT (H): _____ OPENING WIDTH (W): _____ <small>(Note: actual dimension 1/4" less)</small> <small>(Note: actual dimension 1/4" less)</small> DEPTH (D): _____ FLANGE (F): 3 1/2" Membrane length from flange (M): 4" COLOR (CIRCLE ONE) WHITE TAN GRAY
SPLIT PIPE BOOT ITEM CODE# 8512 45 Mil Reinforced Membrane QTY: _____	Dimensions (inches) TOLERANCE = +/- 1/4" INSIDE DIAMETER (D): _____ <small>Note: Base diameter same dimensions unless indicated</small> HEIGHT (H): 8" FLANGE (F): 6" SEAM (CIRCLE ONE) SPLIT WELDED COLOR (CIRCLE ONE) WHITE TAN GRAY	TPO VENT ITEM CODE# 8517 45 Mil Reinforced Membrane QTY: _____	Dimensions (inches) TOLERANCE = +/- 1/4" DIAMETER (D): 7.25" HEIGHT (H): 8" FLANGE (F): 6" COLOR (CIRCLE ONE) WHITE TAN GRAY
SQUARE TUBE WRAP ITEM CODE# 8515 45 Mil Reinforced Membrane QTY: _____	Dimensions (inches) TOLERANCE = +/- 1/4" INSIDE LENGTH (L): _____ INSIDE WIDTH (W): _____ HEIGHT (H): 8" FLANGE (F): 6" SEAM (CIRCLE ONE) SPLIT WELDED COLOR (CIRCLE ONE) WHITE TAN GRAY	TPO DRAIN ITEM CODE# 8519 55 Mil Detailing Membrane & Spun Aluminum Drain Body QTY: _____	Dimensions (inches) TOLERANCE = +/- 1/4" OUTSIDE DIAMETER (D): _____ <small>(Note: 1.5" min. - 7.5" max. at 1/2" increments)</small> LENGTH (L): _____ COLOR (CIRCLE ONE) WHITE TAN GRAY 90° OR 45° ELBOW EXTENSION ALSO AVAILABLE
CORNER CURB WRAP ITEM CODE# 8518 45 Mil Reinforced Membrane QTY: _____	Dimensions (inches) TOLERANCE = +/- 1/4" LEG (A): _____ LEG (B): _____ HEIGHT (H): 24" <small>(GAF requires min. = 8")</small> FLANGE (F): 6" COLOR (CIRCLE ONE) WHITE TAN GRAY	NOTES	

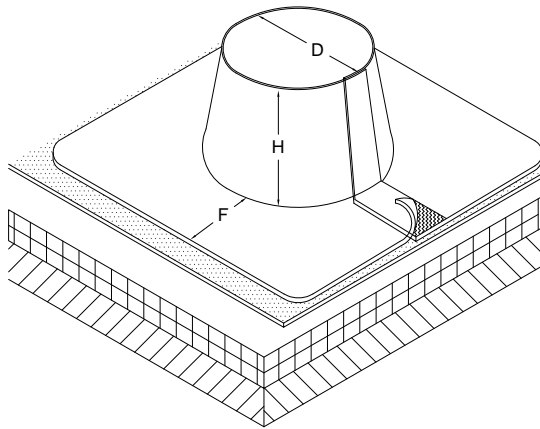
POURABLE SEALER POCKET



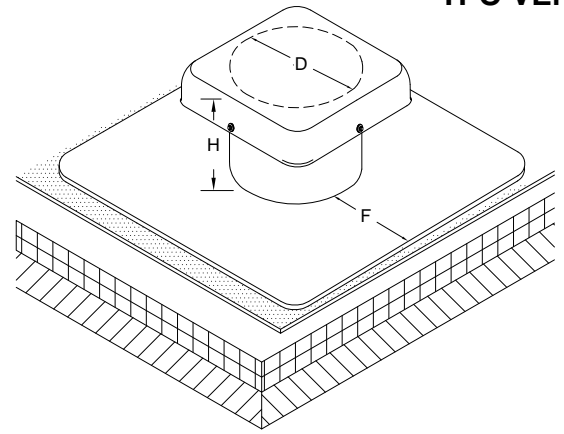
TPO SCUPPER



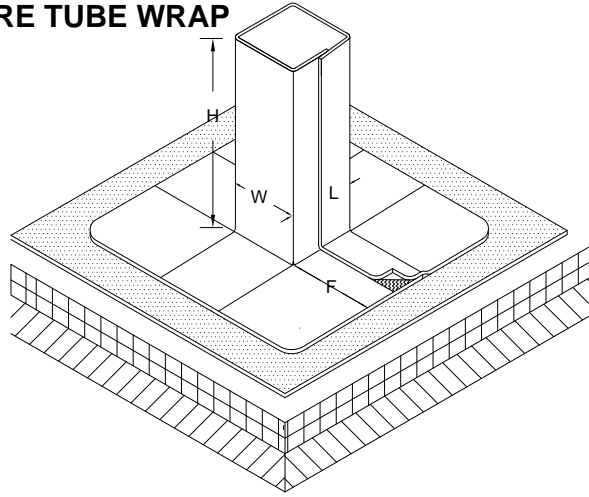
SPLIT PIPE BOOT



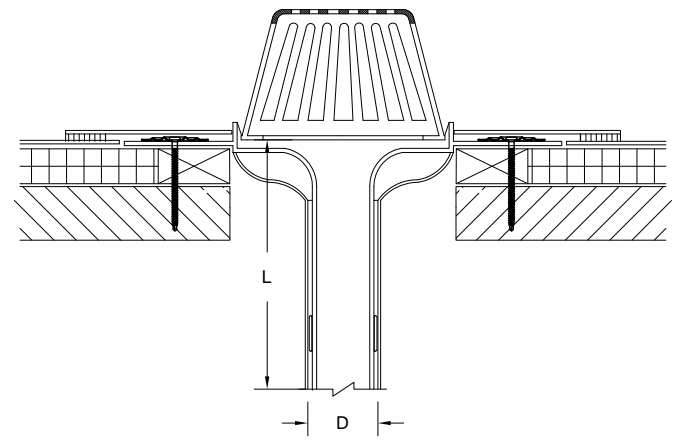
TPO VENT



SQUARE TUBE WRAP



TPO DRAIN



CORNER CURB WRAP

