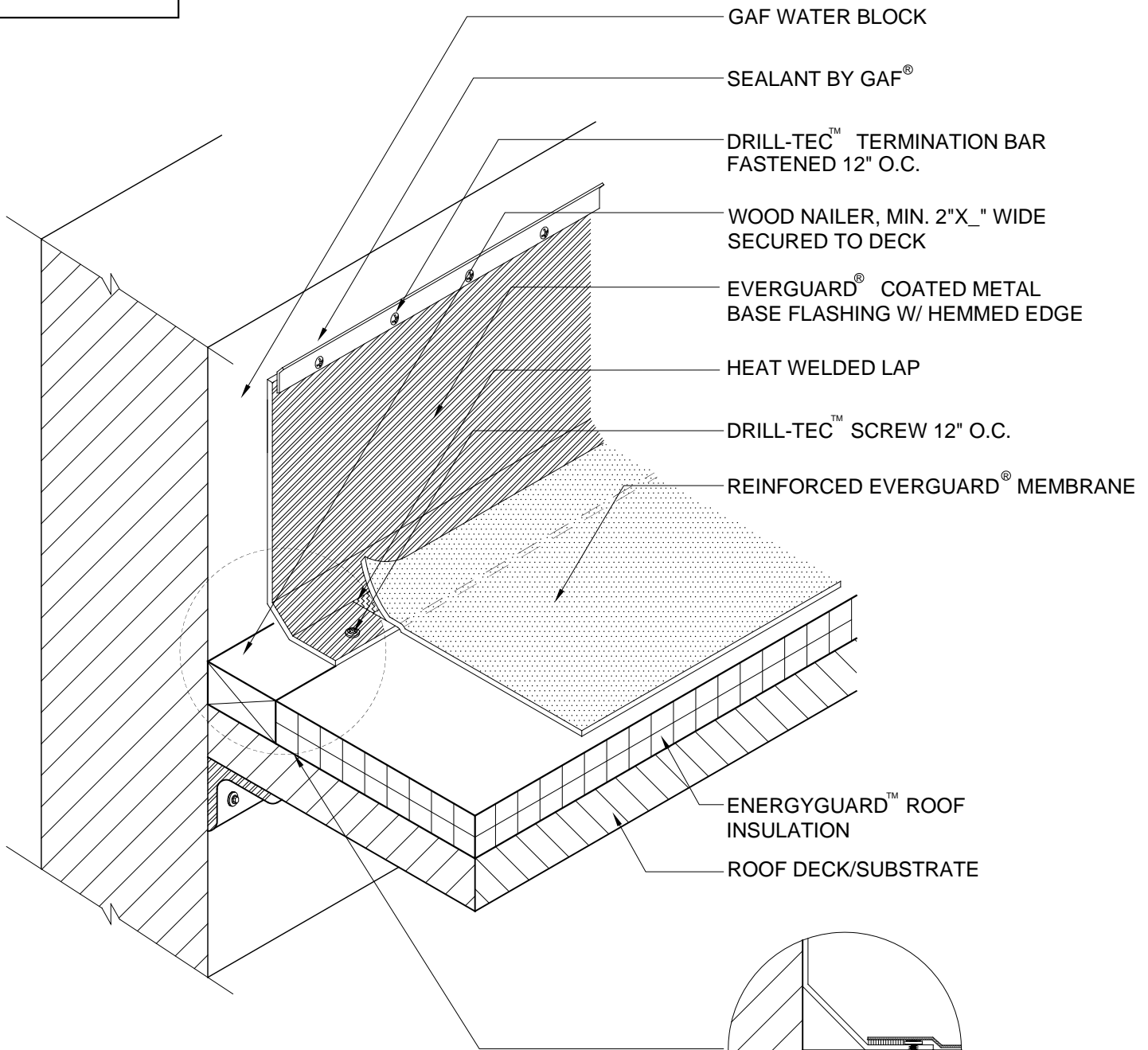


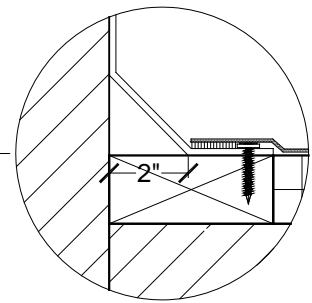
15 YEAR MAX
WARRANTY



- GAF WATER BLOCK
- SEALANT BY GAF®
- DRILL-TEC™ TERMINATION BAR FASTENED 12" O.C.
- WOOD NAILER, MIN. 2"X_ " WIDE SECURED TO DECK
- EVERGUARD® COATED METAL BASE FLASHING W/ HEMMED EDGE
- HEAT WELDED LAP
- DRILL-TEC™ SCREW 12" O.C.
- REINFORCED EVERGUARD® MEMBRANE
- ENERGYGUARD™ ROOF INSULATION
- ROOF DECK/SUBSTRATE

NOTE:

1. FOR 20 YR. WARRANTY, COUNTERFLASHING MUST BE USED. ADD WATER BLOCK BEHIND COATED METAL AND SECURE TOP OF METAL WITH APPROVED FASTENERS.
2. FOR 15 YR. WARRANTY, ADD WATER BLOCK BEHIND COATED METAL. ADD TERMINATION BAR EVEN WITH TOP OF COATED METAL. SECURE BAR 12 O.C. AND ADD GAF SEALANT IN A BEAD SO THAT BOTH COATED METAL AND TERMINATION BAR ARE COVERED.
3. APPLY EVERGUARD® TPO AND PVC CUT EDGE SEALANT TO ALL CUT REINFORCED TPO AND PVC EDGES (REFER TO DETAIL MA/FA/BA 115).



**COATED METAL WALL
FLASHING DETAIL**

DRAWING #	SYSTEM
308	MA/FA/BA
SCALE	ISSUE/ REVISION DATE
N.T.S.	6-01-10