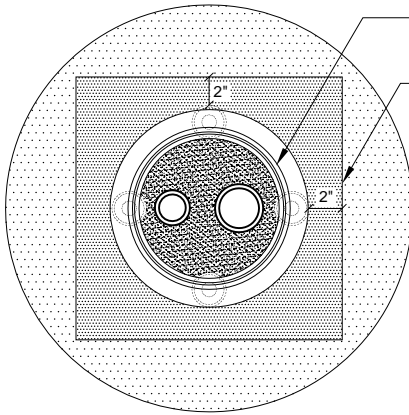


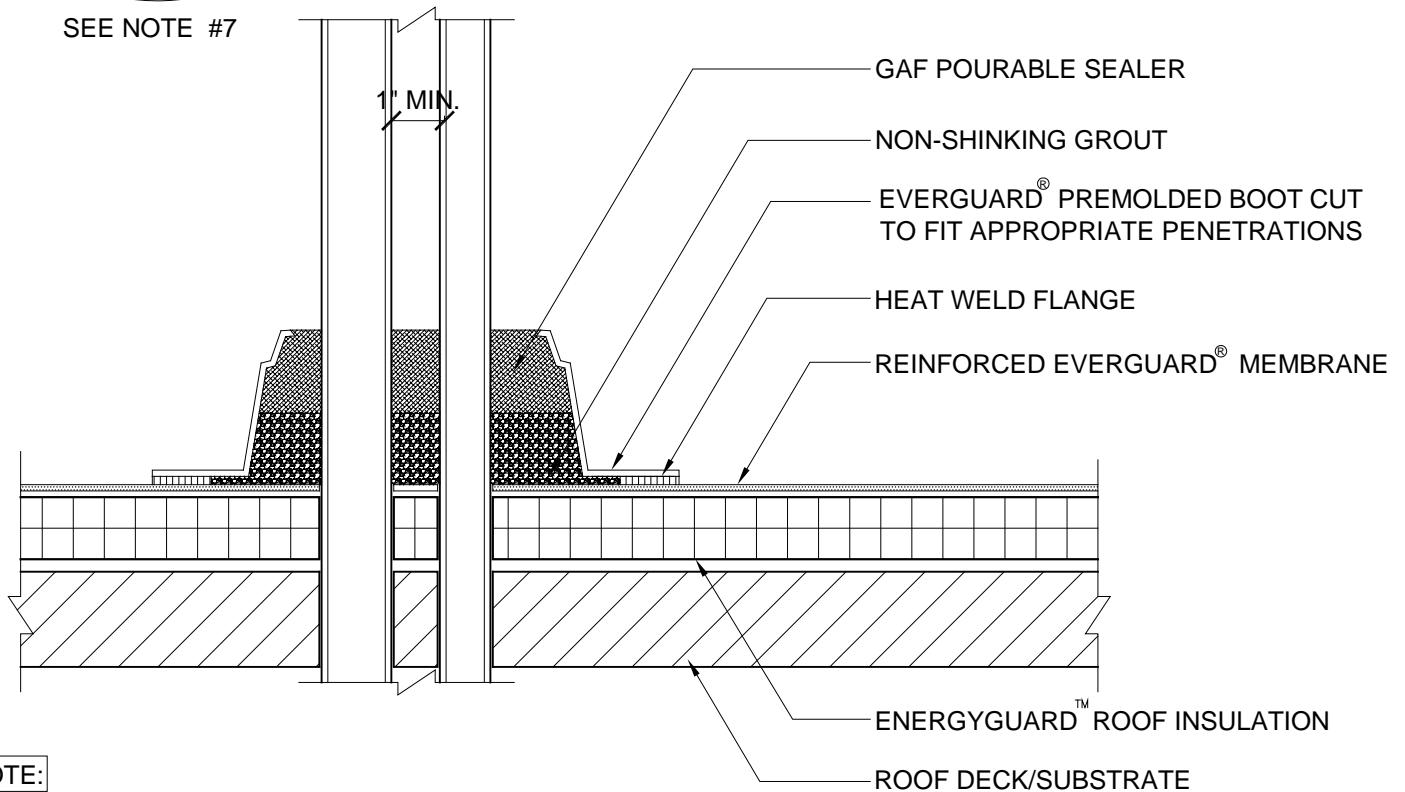
ALTERNATE INSTALLATION



SEE NOTE #7

EVERGUARD® PREFORMED VENT BOOT

TARGET MADE FROM  
EVERGUARD® TPO MEMBRANE



NOTE:

1. STONE/PAVER BALLAST (NOT SHOWN) REQUIRED FOR BA SYSTEMS
2. EXISTING PROJECTION MUST BE CLEANED AND FREE OF INSULATING MATERIALS .
3. POURABLE SEALER MOUNTED TO SHED WATER (MAX 2" DEPTH), REMAINDER OF POCKET MAY BE FILLED WITH A NON-SHRINKING GROUT.
4. DO NOT USE OVER EXISTING PENETRATION POCKETS.
5. DO NOT USE WHEN SERVICE LINE TEMP. EXCEEDS 140°F.
6. TPO PRIMER REQ. ON PENETRATIONS AND MEMBRANE INSIDE OF PENETRATION POCKET.
7. IF THE PLATES AND FASTENERS INTRUDE INTO BOOT FLANGE AREA, THEN A TARGET MUST FIRST BE INSTALLED OVER PLATES AND FASTENERS BEFORE BOOT INSTALLATION.
8. APPLY EVERGUARD® TPO AND PVC CUT EDGE SEALANT TO ALL CUT REINFORCED TPO AND PVC EDGES ( REFER TO DETAIL MA/FA/BA 115 ).



ROOF PENETRATION  
SERIES

PREFORMED PENETRATION FLASHING

DRAWING #

522

SCALE

N.T.S.

SYSTEM

MA/FA/BA

ISSUE/ REVISION DATE

3-01-10